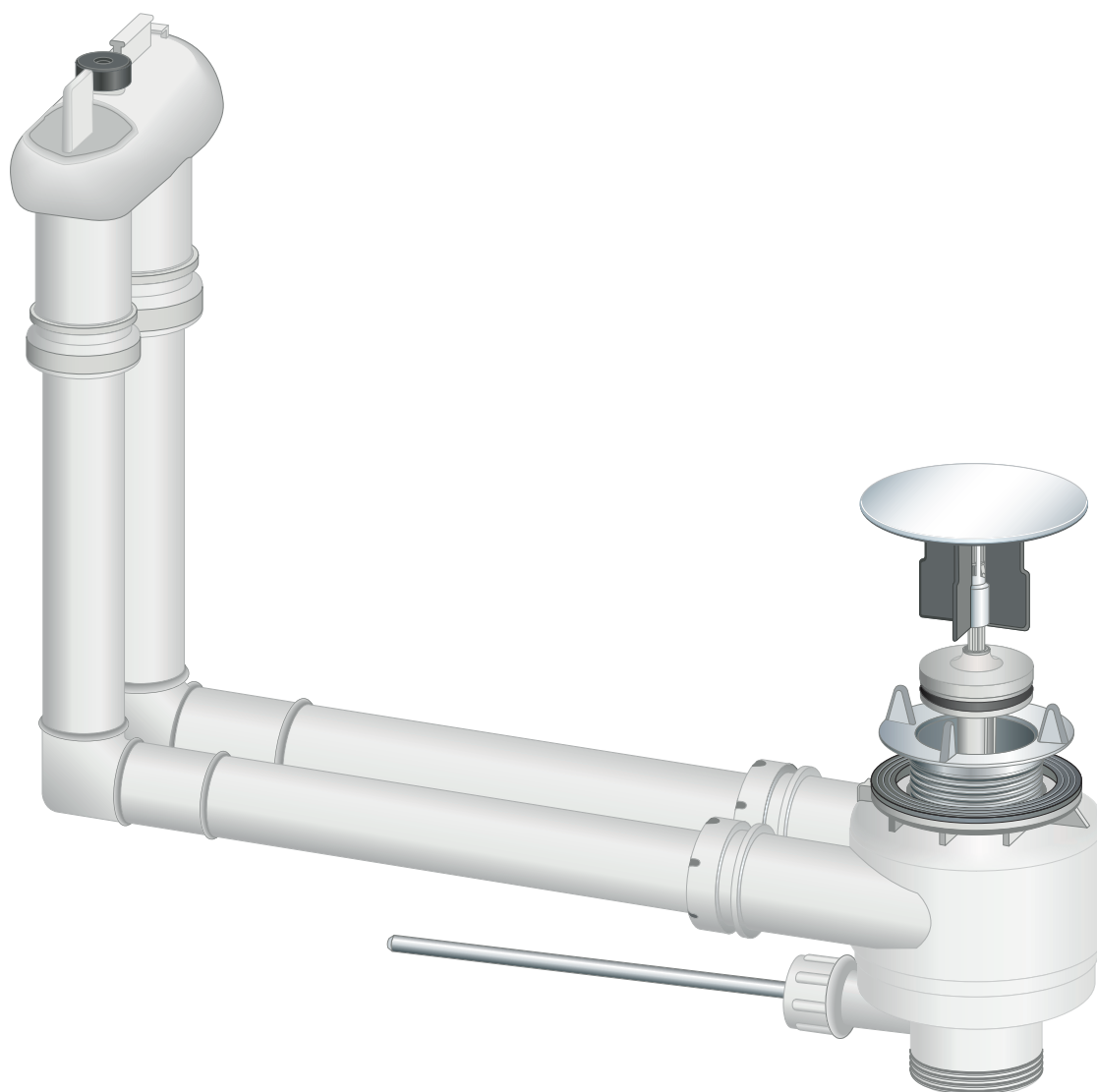


## Instructions for Use

# Drain/overflow with integrated overflow function



for washbasins without overflow

**Model**  
5420.1

**Year built (from)**  
04/2011

**viega**

# Table of contents

<b>1</b>	<b>About these instructions for use</b>	<b>3</b>
	1.1 Target groups	3
	1.2 Labelling of notes	3
	1.3 About this translated version	4
<b>2</b>	<b>Product information</b>	<b>5</b>
	2.1 Intended use	5
	2.1.1 Areas of application	5
	2.2 Product description	6
	2.2.1 Overview	6
	2.2.2 Technical data	6
<b>3</b>	<b>Handling</b>	<b>7</b>
	3.1 Assembly information	7
	3.1.1 Installation dimensions	7
	3.2 Assembly	8
	3.2.1 Mounting the drain/overflow	8
	3.3 Care	11
	3.4 Disposal	12

# 1 About these instructions for use

Trade mark rights exist for this document; for further information, go to [viega.com/legal](http://viega.com/legal).

## 1.1 Target groups

The information in this instruction manual is directed at the following groups of people:

- Heating and plumbing experts and trained personnel
- Consumers

Individuals without the abovementioned training or qualification are not permitted to mount, install and, if required, maintain this product. This restriction does not extend to possible operating instructions.

The installation of Viega products must take place in accordance with the general rules of engineering and the Viega instructions for use.

## 1.2 Labelling of notes

Warning and advisory texts are set aside from the remainder of the text and are labelled with the relevant pictographs.



### **DANGER!**

This symbol warns of possible life-threatening injury.



### **WARNING!**

This symbol warns of possible serious injury.



### **CAUTION!**

This symbol warns of possible injury.



### **NOTICE!**

This symbol warns of possible damage to property.



This symbol gives additional information and hints.

### 1.3 About this translated version

This instruction for use contains important information about the choice of product or system, assembly and commissioning as well as intended use and, if required, maintenance measures. The information about the products, their properties and application technology are based on the current standards in Europe (e.g. EN) and/or in Germany (e.g. DIN/DVGW).

Some passages in the text may refer to technical codes in Europe/Germany. These should serve as recommendations in the absence of corresponding national regulations. The relevant national laws, standards, regulations, directives and other technical provisions take priority over the German/European directives specified in this manual: The information herein is not binding for other countries and regions; as said above, they should be understood as a recommendation.

## 2 Product information

### 2.1 Intended use

#### 2.1.1 Areas of application



#### **NOTICE!**

#### **Risk of damage due to unsuitable liquids**

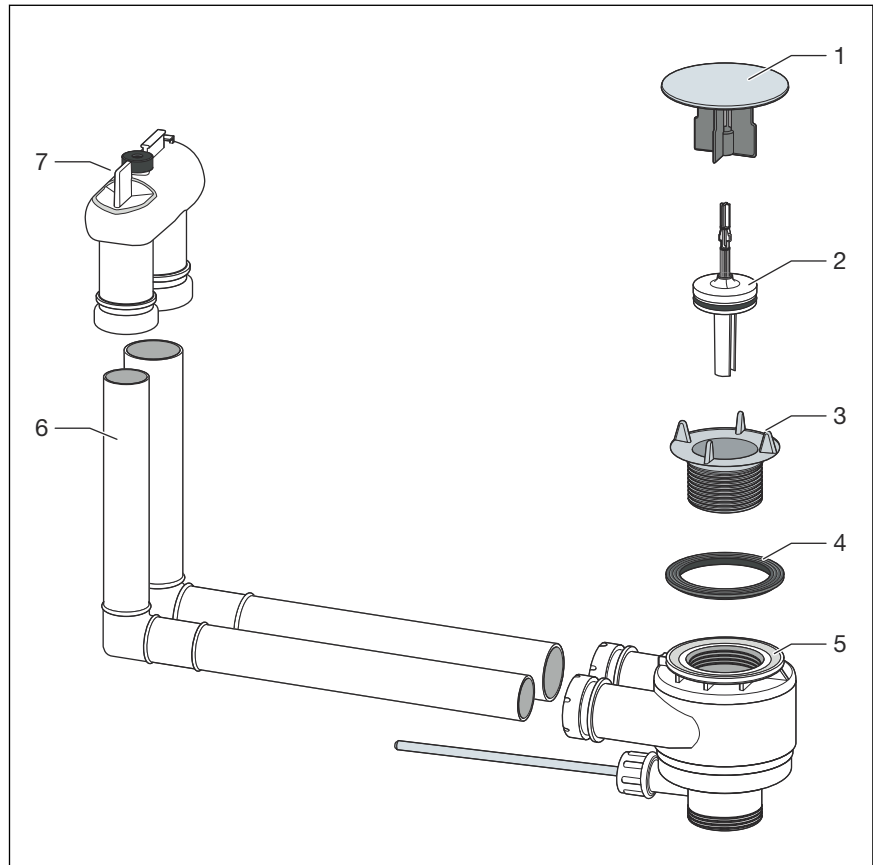
To avoid damaging the drain, only introduce the following liquids:

- Typical household wastewater with temperatures up to 95 °C
- The pH value must be higher than 4 but lower than 10.

The drain/overflow fitting is suitable for washbasins without overflow.

## 2.2 Product description

### 2.2.1 Overview



- 1 Drain cover
- 2 valve cone
- 3 Screw valve
- 4 Profile seal
- 5 Drain housing with lever bar
- 6 Overflow pipes
- 7 overflow

### 2.2.2 Technical data

DN (nominal width) outlet pipe	DN 60 mm
Drain elbow connection	1¼

### 3 Handling

#### 3.1 Assembly information

##### 3.1.1 Installation dimensions

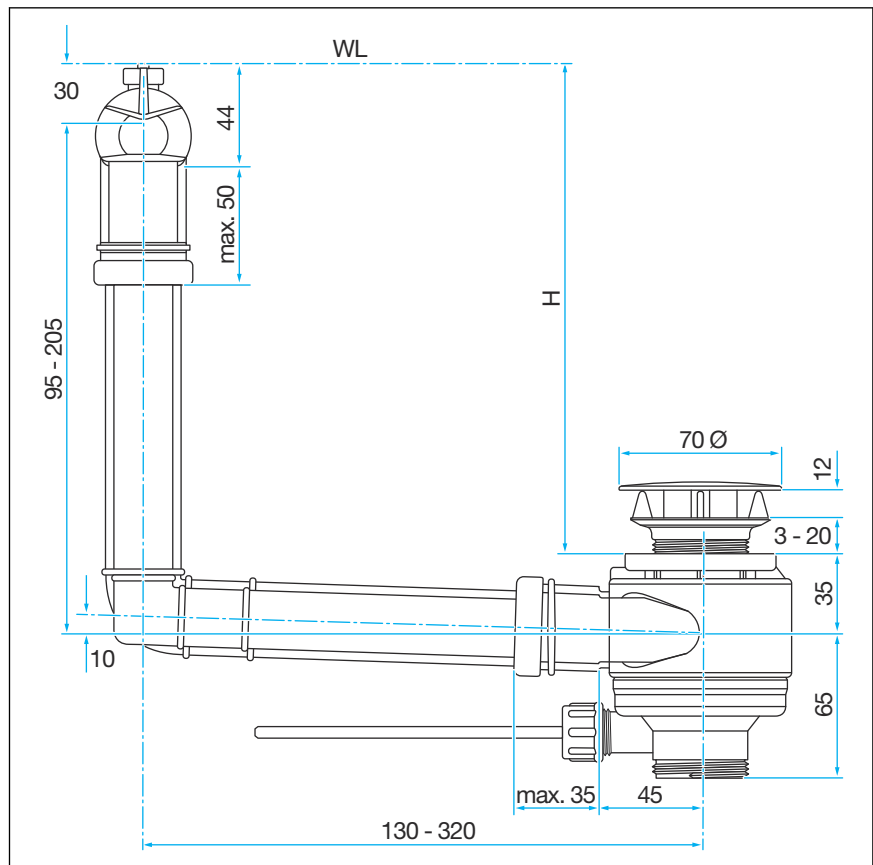


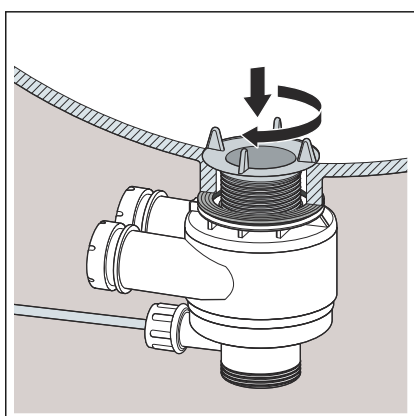
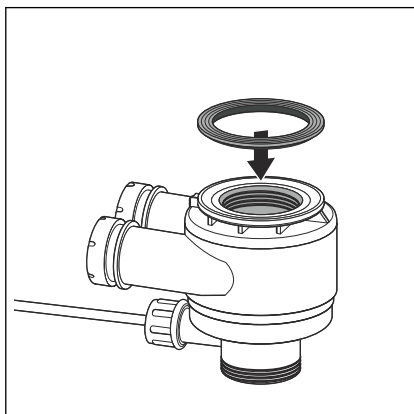
Fig. 1: Dimensional drawing

## 3.2 Assembly

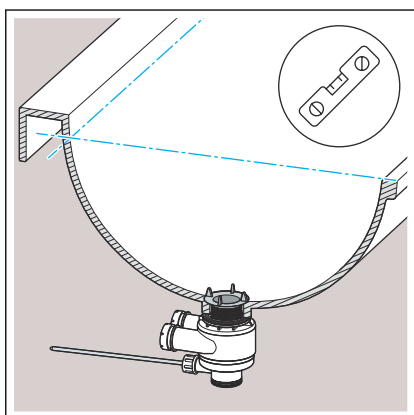
### 3.2.1 Mounting the drain/overflow

Requirements:

- The washbasin is mounted.
- The drain pipeline is installed.
- Insert the profile seal.

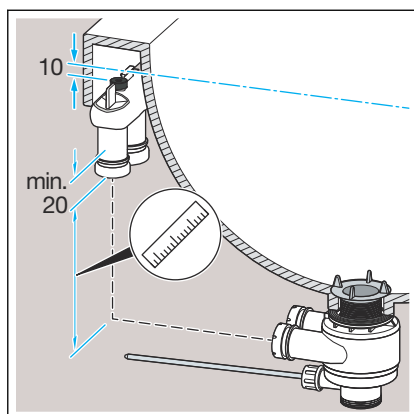


- Position the drain valve on the washbasin.
- Screw the screw valve into the housing.



- Determine the height of the waterline.

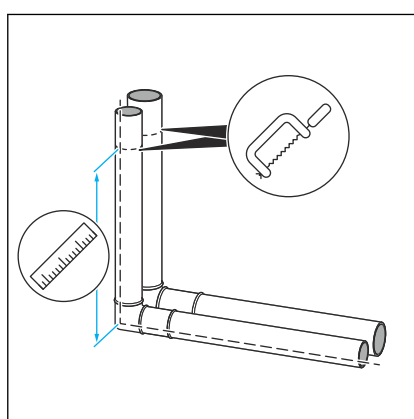




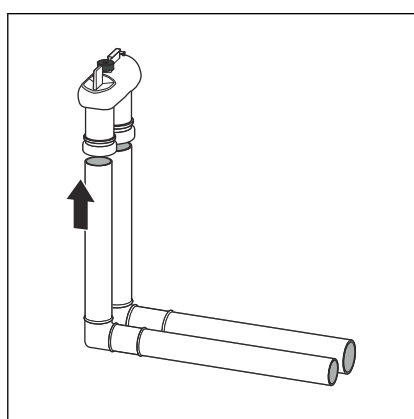
- Determine the pipe lengths of the two overflow pipes.

**INFO!**

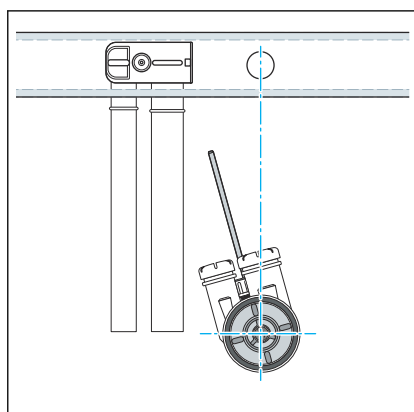
- Do not go below a minimum insertion depth of 20 mm.
- Mount the overflow at least 10 mm below the waterline.



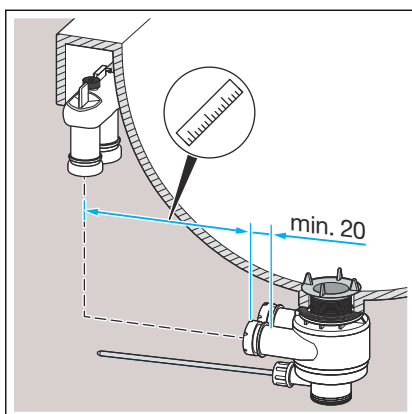
- Shorten the overflow pipes of the short side to the determined dimension.



- Fit the overflow and the overflow pipes together.

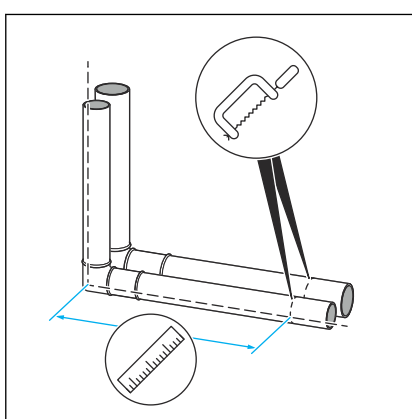


- Position the overflow with the overflow pipes next to the tap hole.

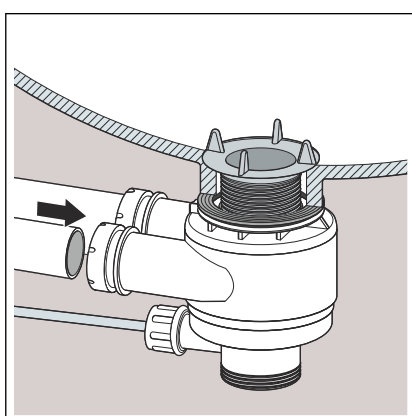


- Determine the pipe lengths from the centre of the overflow pipe to the stop of the pipe end.

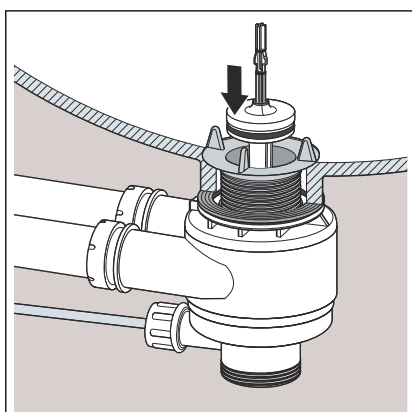
**INFO!** Do not go below a minimum insertion depth of 20 mm.



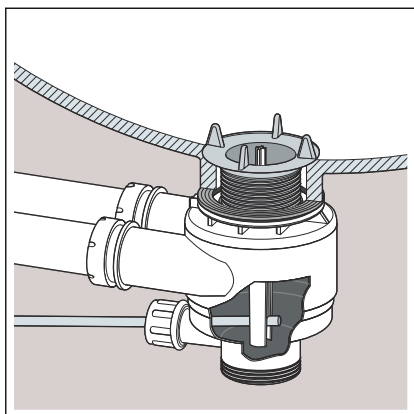
- Shorten the overflow pipes on the long side to the determined dimension.



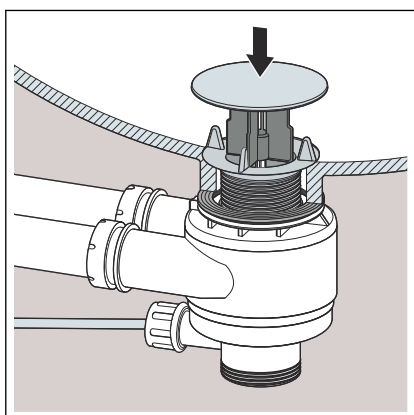
- Fit the overflow pipes and the drain housing together.



- Fit the valve cone.

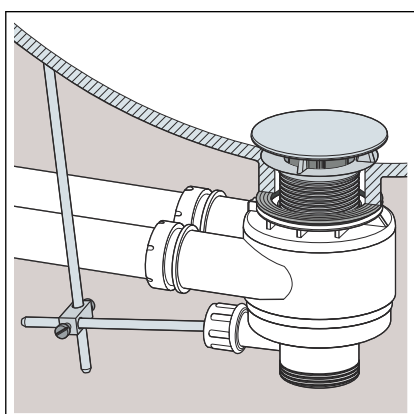


► Guide the valve cone over the lever rod.



► Mount the cover plate.

► Place the cover plate on the guide pin of the valve cone.



► Connect the lever rod to the lifting rod of the inlet fitting.

### 3.3 Care



**NOTICE!**  
**Risk of damage due to unsuitable cleaning agent.**

The following cleaning agents can damage chrome-plated surfaces and therefore may not be used:

- Scouring agent
- Abrasive sponges
- Lime, plaster or cement dissolver
- Solvents or other acidic cleaning agents

Use household cleaner to remove coarse soiling, also around the odour trap. Rinse the detergent thoroughly with clear water after the prescribed exposure time. There should be no residue on the components.

### **3.4 Disposal**

Separate the product and packaging materials (e. g. paper, metal, plastic or non-ferrous metals) and dispose of in accordance with valid national legal requirements.



**Viega GmbH & Co. KG**  
service-technik@viega.de  
viega.com

INT • 2022-08 • VPN210528

