

Instructions for Use

Advantix plug-in drain



for non-sealed floor construction

Model
4937.2

Year built (from)
01/2010

viega

Table of contents

1	About these instructions for use	3
	1.1 Target groups	3
	1.2 Labelling of notes	3
	1.3 About this translated version	4
2	Product information	5
	2.1 Standards and regulations	5
	2.2 Intended use	5
	2.2.1 Areas of use	5
	2.2.2 Media	5
	2.2.3 Drainage capacity	5
	2.3 Product description	6
	2.3.1 Overview	6
	2.3.2 Technical data	6
	2.4 Information for use	7
	2.4.1 Installation variations	7
3	Handling	8
	3.1 Assembly information	8
	3.1.1 Important note	8
	3.1.2 Installation dimensions	8
	3.2 Assembly	9
	3.2.1 Connecting the drain	9
	3.3 Care	12
	3.3.1 Care tips	12
	3.3.2 Cleaning the drain	12
	3.4 Disposal	13

1 About these instructions for use

Trade mark rights exist for this document, further information can be found at viega.com/legal.

1.1 Target groups

The information in this instruction manual is directed at the following groups of people:

- Heating and sanitary professionals and trained personnel
- Consumers

It is not permitted for individuals without the abovementioned training or qualification to mount, install and, if required, maintain this product. This restriction does not extend to possible operating instructions.

The installation of Viega products must take place in accordance with the general rules of engineering and the Viega instructions for use.

1.2 Labelling of notes

Warning and advisory texts are set aside from the remainder of the text and are labelled with the relevant pictographs.



DANGER!

This symbol warns against possible life-threatening injury.



WARNING!

This symbol warns against possible serious injury.



CAUTION!

This symbol warns against possible injury.



NOTICE!

This symbol warns against possible damage to property.



Notes give you additional helpful tips.

1.3 About this translated version

This instruction for use contains important information about the choice of product or system, assembly and commissioning as well as intended use and, if required, maintenance measures. The information about the products, their properties and application technology are based on the current standards in Europe (e. g. EN) and/or in Germany (e. g. DIN/DVGW).

Some passages in the text may refer to technical codes in Europe/Germany. These should serve as recommendations in the absence of corresponding national regulations. The relevant national laws, standards, regulations, directives and other technical provisions take priority over the German/European directives specified in this manual: The information herein is not binding for other countries and regions; as said above, they should be understood as a recommendation.

2 Product information

2.1 Standards and regulations

The following standards and regulations apply to Germany / Europe. National regulations can be found on the relevant web site of your country at viega.com/standards.

Regulations from section: Media

Scope / Notice	Regulations applicable in Germany
Typical domestic wastewater	DIN 1986-3

2.2 Intended use

2.2.1 Areas of use

The drain is suitable for pushing into HT, PVC or cast-iron pipes and sleeves with a nominal width of DN 100. It is intended for use in floor constructions without sealing – e. g. terraces whose slabs are laid directly onto the soil or cellars in which small amounts of wastewater occur at irregular intervals.

Technical information, see ↗ *Chapter 2.3.2 'Technical data' on page 6.*

2.2.2 Media

The drain is intended for draining of household-type wastewater in constant operation, see ↗ *'Regulations from section: Media' on page 5.*

- The short-term temperature of the wastewater may reach up to 95° C. The temperature must be considerably lower in constant operation.
- The pH value must be higher than 4 but lower than 10.

It is not permitted to introduce wastewater which would damage the product material.

2.2.3 Drainage capacity

Drainage capacity at an accumulation height of 35 mm above the grate:
0.65 l/s

2.3 Product description

2.3.1 Overview

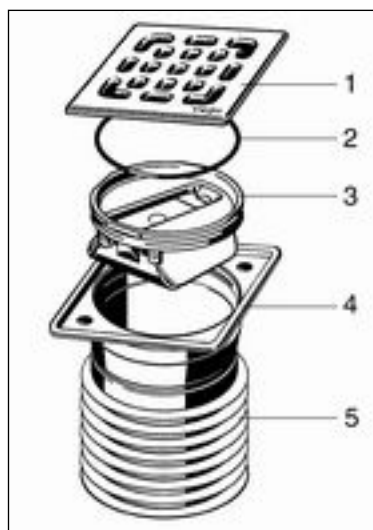


Fig. 1: Model 4937.2

- 1 - stainless steel grate
- 2 - O-ring
- 3 - odour barrier with 2 shutter valves, frost proof
- 4 - stainless steel frame
- 5 - drain casing with multiple lip seal

2.3.2 Technical data

Nominal width [DN] (drain socket)	100
Drainage capacity	↪ Chapter 2.2.3 'Drainage capacity' on page 5
Dimensions and installation height	↪ Chapter 3.1.2 'Installation dimensions' on page 8
Load class	K = 300 kg

2.4 Information for use

2.4.1 Installation variations

The drain is placed into a pipe (nominal width DN 100). The drain itself is integrated into the floor at the height of the grate.

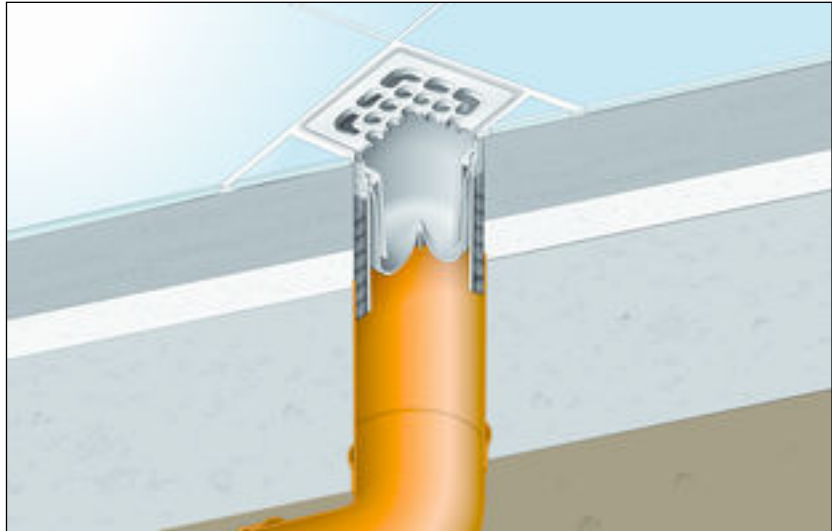


Fig. 2: Mounting example

3 Handling

3.1 Assembly information

3.1.1 Important note

Before assembly:

- Check if the drainage capacity of the drain is sufficient for the arising water volume ↪ *Chapter 2.2.3 'Drainage capacity' on page 5.*
- Check if the installation height of the drain corresponds with the planned floor construction.
- Ensure that the required connection line is installed with the necessary incline to the planned installation location.

During assembly:

- Observe installation dimensions.

3.1.2 Installation dimensions

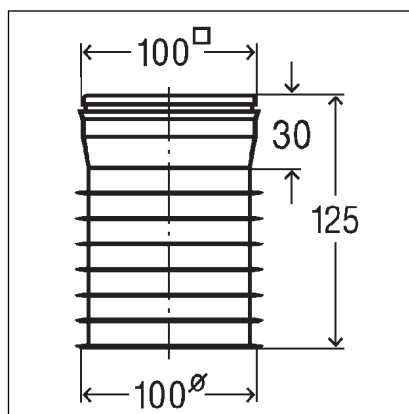


Fig. 3: Dimensional drawing

As at least three sealing lips must be inside the pipe, the following installation heights occur:

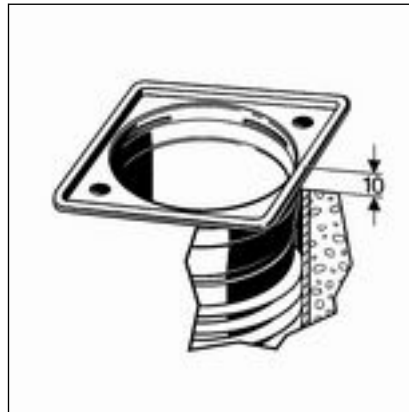


Fig. 4: Minimum installation height

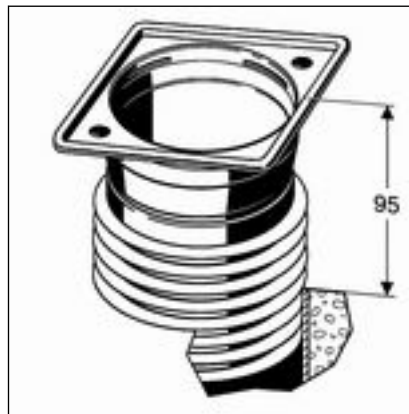


Fig. 5: Maximum installation height

3.2 Assembly

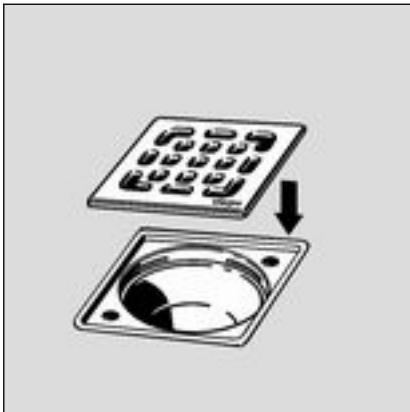
3.2.1 Connecting the drain

Mounting the drain

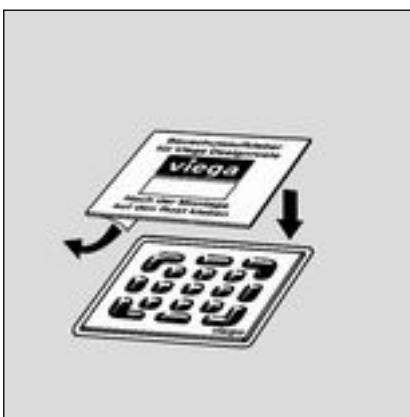


- Coat lip seal with lubricant and push the drain into the drainpipe. At least 3 sealing lips should seal the drain in the pipe.

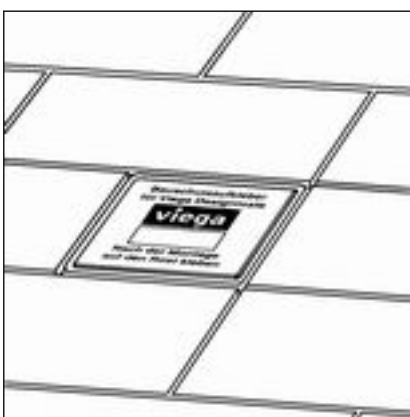
INFO! If the drain is used in a pipe with a coupling, the sealing lips cannot seal inside the coupling. Therefore, a pipe section must be inserted into the coupling beforehand.



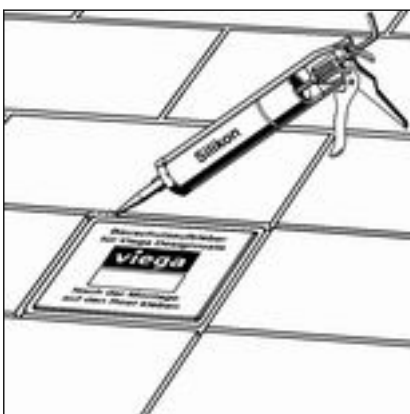
► Insert stainless steel grate.



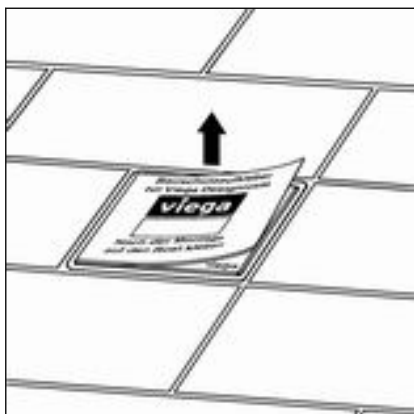
► Apply protective sticker.



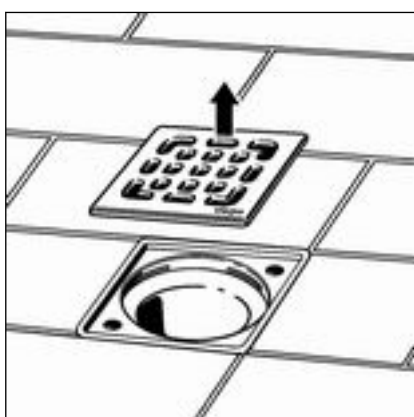
► Lay tiles.



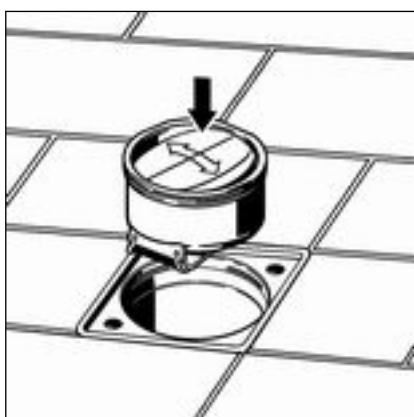
► Close the gap between grate and tiles with silicone.



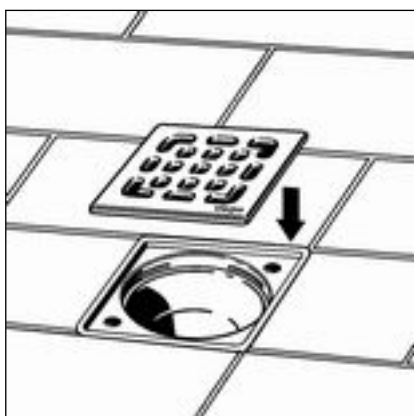
► Remove protective sticker.



► Remove stainless steel grate.



► Insert odour trap.



► Insert stainless steel grate.

3.3 Care

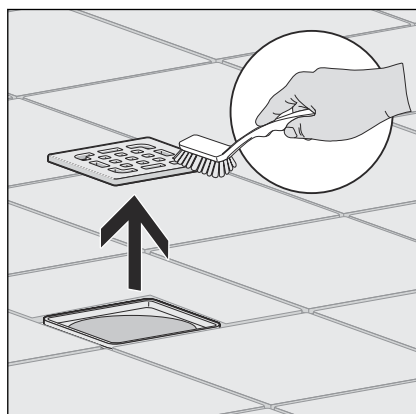
3.3.1 Care tips

Normal soap or a mild cleaning agent can be used for regular care and prevention of lime scale on the grate and frame. Under no circumstances should scouring agent or scratching objects be used.

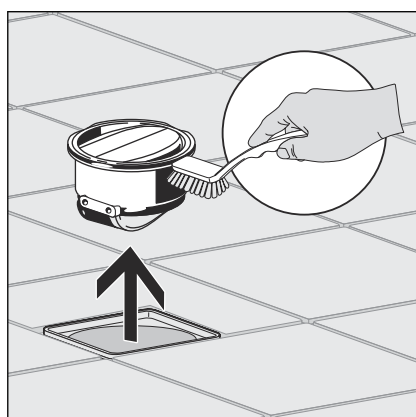
Strong stains, even around the drain unit and the siphon, can be removed using typical household cleaner. It should be noted that the cleaning agent should be rinsed off after the prescribed soaking time. There should be no residue on the components.

3.3.2 Cleaning the drain

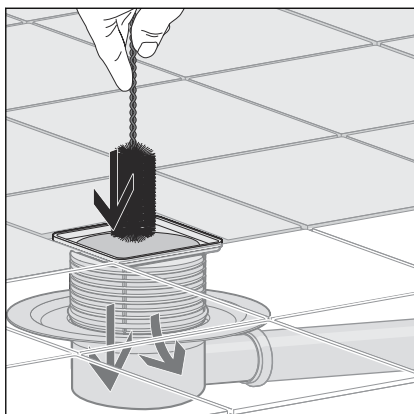
We recommend using a mild cleaning agent and a washing-up brush for cleaning.



► Remove and clean grate.



► Remove and clean odour trap.



- Clean drain.
- Replace odour trap.
- Re-insert grate.

3.4 Disposal

Separate the product and packaging materials (e. g. paper, metal, plastic or non-ferrous metals) and dispose of in accordance with valid national legal requirements.



Viega GmbH & Co. KG
service-technik@viega.de
viega.com

INT • 2022-08 • VPN170287

