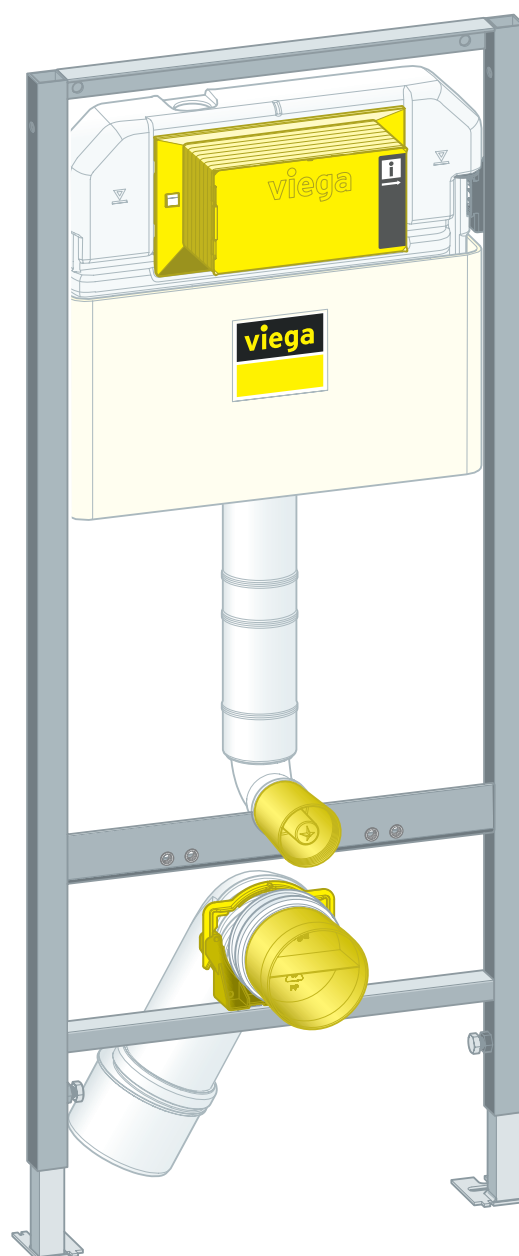


## Instructions for Use

# Prevista Dry WC element building project version



for WC flush plates for Prevista

**Model**  
8524

**Year built (from)**  
09/2018

**viega**

# Table of contents

<b>1</b>	<b>About these instructions for use</b>	<b>3</b>
	1.1 Target groups	3
	1.2 Labelling of notes	3
	1.3 About this translated version	4
<b>2</b>	<b>Product information</b>	<b>5</b>
	2.1 Standards and regulations	5
	2.2 Intended use	5
	2.2.1 Areas of application	5
	2.3 Product description	5
	2.3.1 Overview	5
	2.3.2 Compatible components	6
	2.3.3 Technical data	7
<b>3</b>	<b>Handling</b>	<b>8</b>
	3.1 Assembly information	8
	3.1.1 Mounting conditions	8
	3.1.2 Installation dimensions	9
	3.2 Assembly	9
	3.2.1 Mounting WC element	9
	3.2.2 Connecting concealed cistern	13
	3.2.3 Mounting the drain elbow	16
	3.2.4 Set and clad the WC element	17
	3.2.5 Setting the flush volume	18
	3.3 Cleaning and maintenance	19
	3.4 Disposal	20

# 1 About these instructions for use

Trade mark rights exist for this document; for further information, go to [viega.com/legal](http://viega.com/legal).

## 1.1 Target groups

The information in this instruction manual is directed at the following groups of people:

- Heating and plumbing experts and trained personnel
- Drywall builders

Individuals without the abovementioned training or qualification are not permitted to mount, install and, if required, maintain this product. This restriction does not extend to possible operating instructions.

The installation of Viega products must take place in accordance with the general rules of engineering and the Viega instructions for use.

## 1.2 Labelling of notes

Warning and advisory texts are set aside from the remainder of the text and are labelled with the relevant pictographs.



### **DANGER!**

This symbol warns of possible life-threatening injury.



### **WARNING!**

This symbol warns of possible serious injury.



### **CAUTION!**

This symbol warns of possible injury.



### **NOTICE!**

This symbol warns of possible damage to property.



This symbol gives additional information and hints.

### 1.3 About this translated version

This instruction for use contains important information about the choice of product or system, assembly and commissioning as well as intended use and, if required, maintenance measures. The information about the products, their properties and application technology are based on the current standards in Europe (e.g. EN) and/or in Germany (e.g. DIN/DVGW).

Some passages in the text may refer to technical codes in Europe/Germany. These should serve as recommendations in the absence of corresponding national regulations. The relevant national laws, standards, regulations, directives and other technical provisions take priority over the German/European directives specified in this manual: The information herein is not binding for other countries and regions; as said above, they should be understood as a recommendation.

## 2 Product information

### 2.1 Standards and regulations

The following standards and regulations apply to Germany / Europe and are provided as a support feature.

#### Regulations from section: Fields of application / Mounting conditions

Scope / Notice	Regulations applicable in Germany
Suitable masonry walls	EN 1996-1-1
Suitable concrete walls	DIN 1045
Suitable stud frames	DIN 18183

### 2.2 Intended use

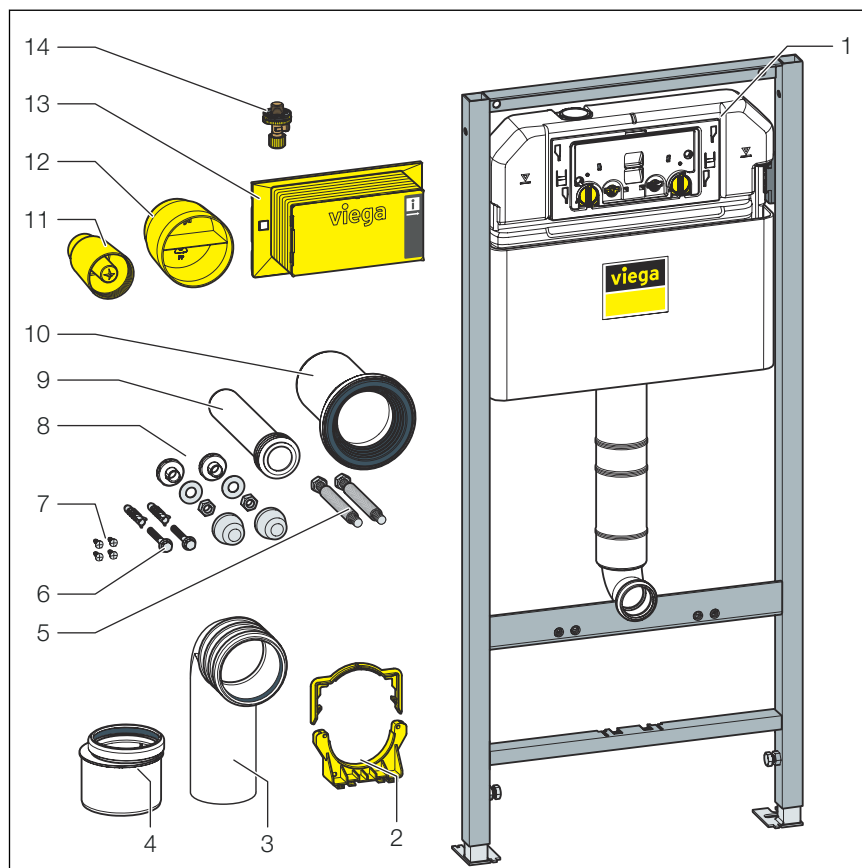
#### 2.2.1 Areas of application

The Prevista Dry WC element is suitable for mounting on masonry wall constructions and stud frames pursuant to the regulations in section [↪ Chapter 2.1 'Standards and regulations' on page 5.](#)

### 2.3 Product description

#### 2.3.1 Overview

The WC element is equipped as follows:



**Fig. 1: Components**

- 1 3H concealed cistern
- 2 Mounting bracket set
- 3 Waste elbow
- 4 Reducer
- 5 Threaded rods for fixing sanitary objects (gauges for bore hole 180 or 230 mm)
- 6 Screws and dowels for fixing in the floor
- 7 Screws for fixing in stud frame
- 8 Mounting set for WC ceramic
- 9 Flushing pipe
- 10 WC connection socket with lip seal
- 11 Protective plug for flushing pipe elbow
- 12 Protective plug for drain elbow DN90
- 13 Inspection shaft cover
- 14 Corner valve

### 2.3.2 Compatible components

The WC element is compatible with all common WC ceramics, even with larger projection (barrier-free).

The WC element can be extended by the following compatible components:

- Prevista Dry fixing element
- Fixing set model 8180.73

- Fixing set model 8173
- Accessory set electronic model 8655.11

► Mount the components in accordance with the respective instructions for use.

### 2.3.3 Technical data

#### Flush volume

<b>Small flush volume</b>	Factory setting	Approx. 3 l
	Setting range	Approx. 2–4 l
<b>Large flush volume</b>	Factory setting	Approx. 6 l
	Setting range	Approx. 3.5–7.5 l

#### Water pressure

<b>Water pressure min.</b>	15 kPa (0.15 bar)
<b>Water pressure max.</b>	1000 kPa (10 bar)

## 3 Handling

### 3.1 Assembly information

#### 3.1.1 Mounting conditions

##### Suitable walls

- Masonry walls
- Concrete walls
- Metal stud frames

The wall constructions must comply with the regulations in section [Chapter 2.1 'Standards and regulations' on page 5](#).

The WC element may only be mounted on even wall surfaces.

##### Construction height

With the construction height, the marked height of the upper edge of the finished floor must be observed.

##### Installation depth

The installation depth is maximum 200 mm.

##### WC ceramic

The WC element can only be used in combination with wall-hung WCs (fixing gauges for bore hole 180 mm or 230 mm).

##### Water connection

The WC element has an R ½ inch water connection.



#### NOTICE!

Always use the newly delivered hose set for the water connection. Do not use old hose sets.

The WC element can be extended by a remote flush actuation or by an electronic actuation, as well as by sensitive flush plates. The cables for these electrical actuation versions must be laid before cladding.

The corresponding conduit pipe is required when preparing the remote flush actuation.



### 3.1.2 Installation dimensions

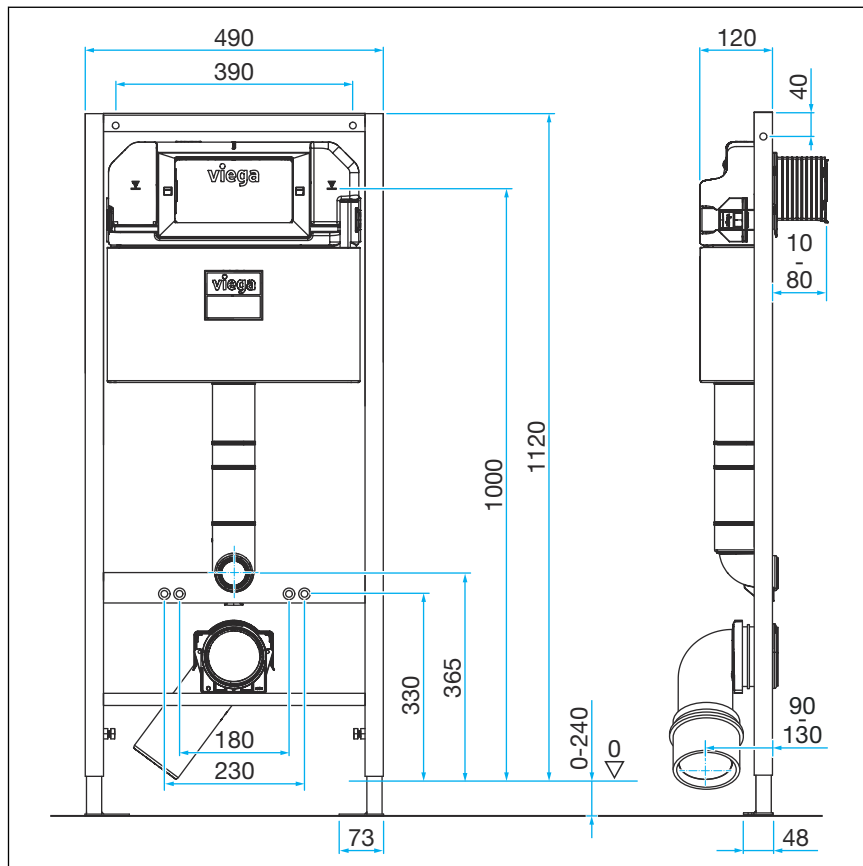


Fig. 2: Dimensional drawing

## 3.2 Assembly

### 3.2.1 Mounting WC element



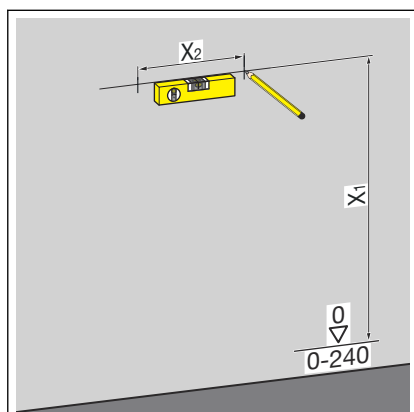
#### Masonry and concrete walls

When mounting multiple WC elements with an interval of > 500 mm, Viega recommends the use of a Prevista Dry support bracket (model 8570.48). Observe the instructions for use of the support bracket when mounting.

## Mounting to a masonry wall

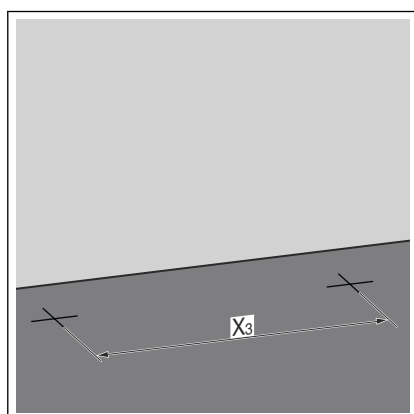


For mounting, Viega recommends to use the Prevista Dry fixing set (model 8180.73).



► Determine and mark the fixing points.

- X1: 1100 mm
- X2: 390 mm



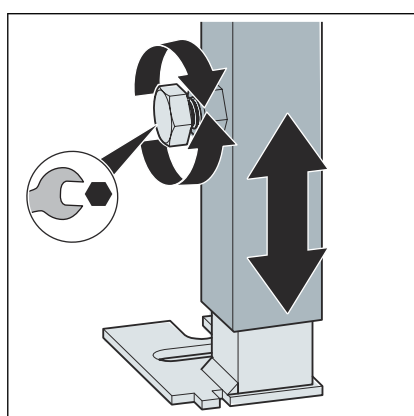
► Determine and mark the fixing points on the floor.

- X3: 405 mm

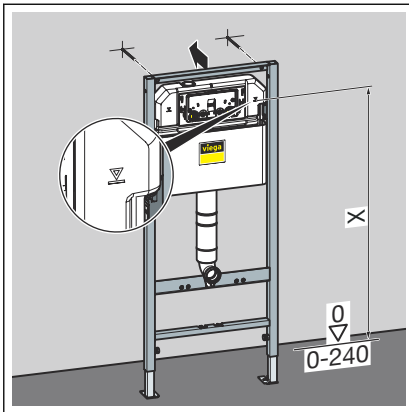
► Drill the holes.

► Insert the dowels.

**INFO!** Mount the Prevista Dry fixing set (model 8180.73) pursuant to the instructions for use for the fixing set.



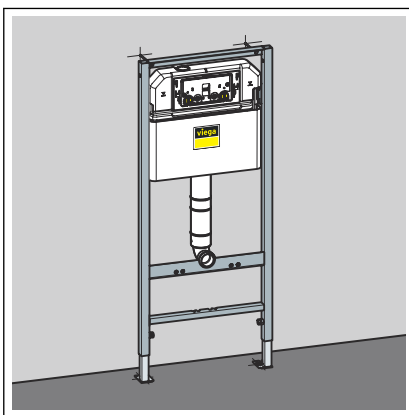
► Loosen the feet of the element using a fork spanner.



➤ Adjust the construction height of the element in accordance with the on-site marking of the upper edge of the finished floor.

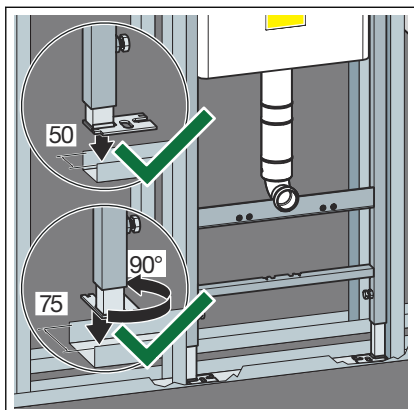
■ X: 1000 mm

➤ Tighten the feet of the element using a fork spanner.

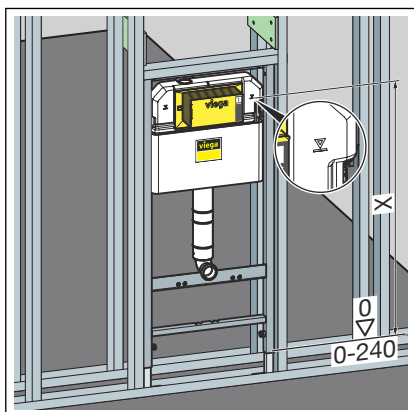


◇ The element is attached to the wall.

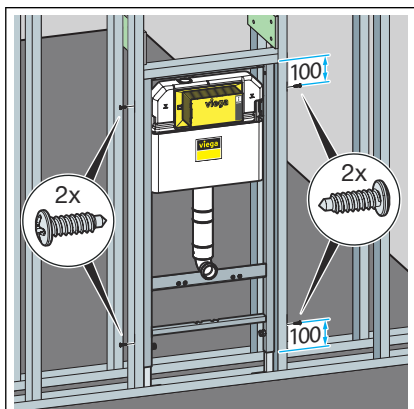
### Mounting in steel stud frame



- Position the element on the floor rail.
- If necessary, adjust the foot depth from 50 mm (pre-mounted) to 75 mm.
- Loosen and pull out the foot plates.
- Turn the foot plates through 90°.
- Fix the feet.

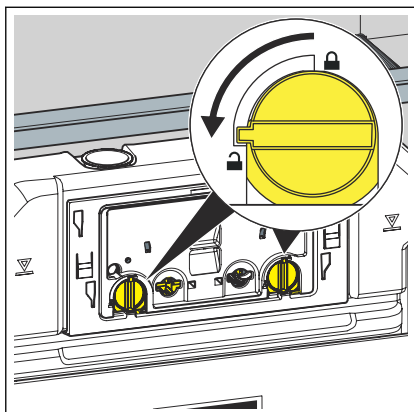


- Adjust the construction height of the element in accordance with the on-site marking of the upper edge of the finished floor.
  - X: 1000 mm

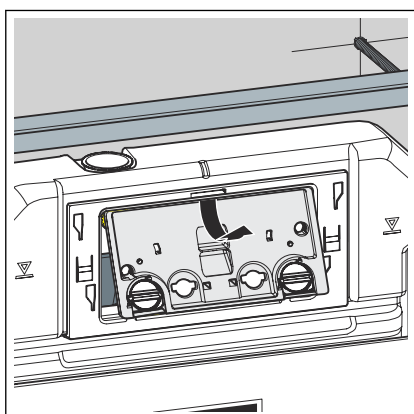


- Attach the element to the stud frame using the screws supplied.

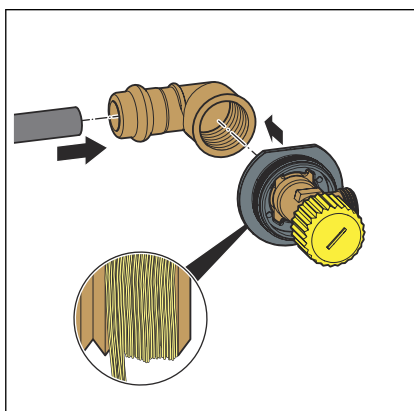
### 3.2.2 Connecting concealed cistern



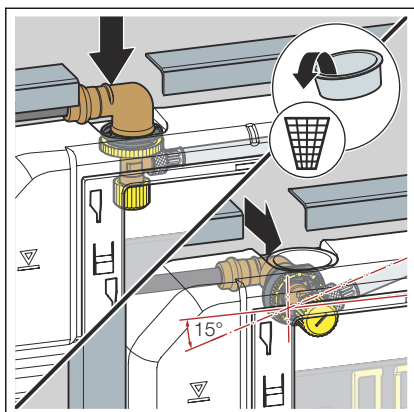
- Turn the site protection panel lock 90° anti-clockwise.



- Remove the site protection panel.

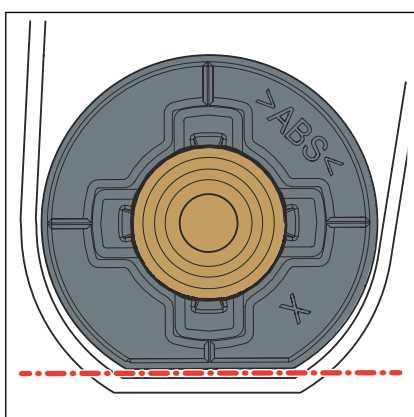


- Place the press connector onto the water inlet.
- Press the connection.
- Seal the threaded connectors of the corner valve.
- Screw the corner valve into the thread side of the press connector.



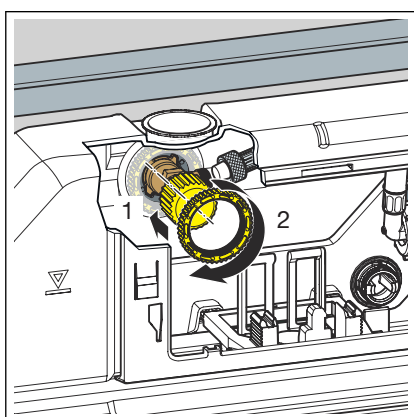
**INFO!** For the concealed cistern 3H, the corner valve can be attached from the top or rear.

- Remove the plug.
- Insert the corner valve into the cistern.

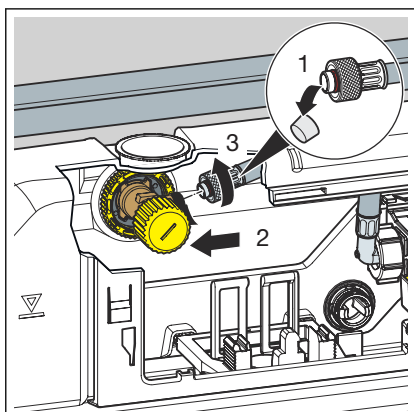


- Remove the plug.
- Insert the corner valve into the cistern.

**INFO!** Observe the proper fit of the corner valve.



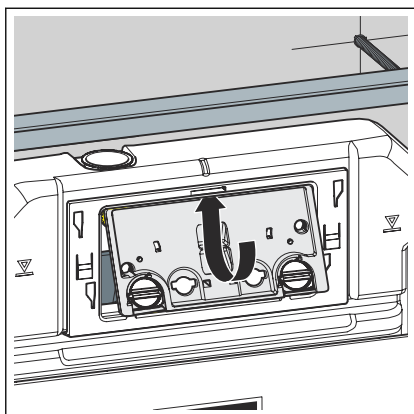
- Use the lock nut to screw the corner valve and the cistern to each other.



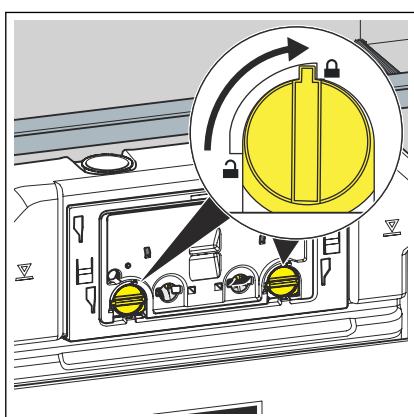
- Remove the protective cap from the flexible hose.
- Screw the flexible hose and the corner valve to each other (hand tight).

**INFO!** If a WC flush plate with electronic flush actuation is to be mounted, the small flush volume must be set to 2 litres.

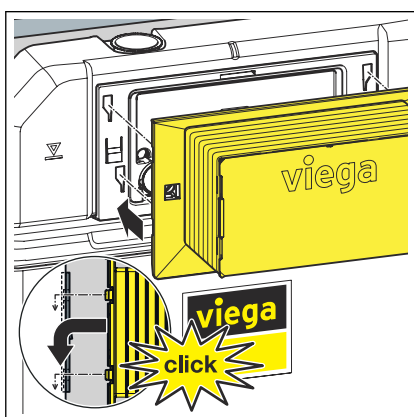
- Set the flush volume as applicable, ↗ **Chapter 3.2.5 'Setting the flush volume' on page 18.**



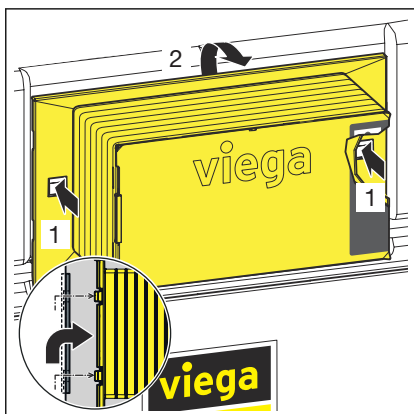
➤ Insert the site protection panel into the cistern.



➤ Turn the site protection panel's lock by 90° clockwise.

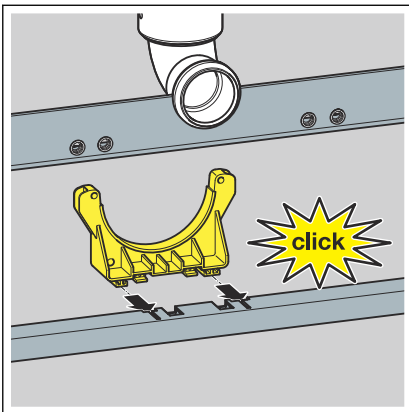


➤ Place the inspection shaft on the site protection panel.

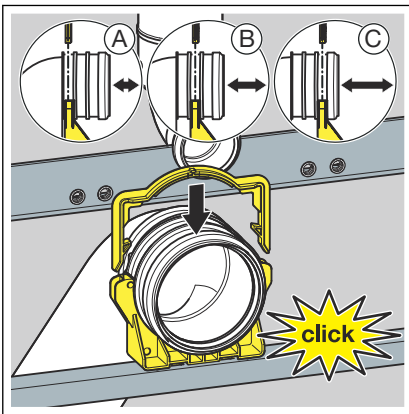


To remove the inspection shaft, press in the fixing clips at the side.

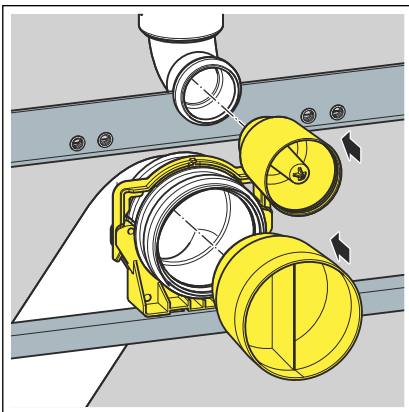
### 3.2.3 Mounting the drain elbow



- Insert the mounting bracket for the drain elbow.



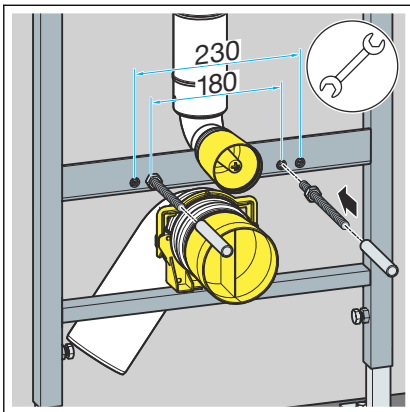
- Insert the drain elbow to the desired depth.
- Secure the drain elbow using the bow.



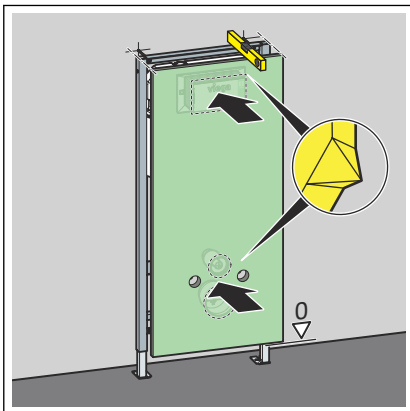
- Attach the protective plug of the flushing pipe elbow.
- Put the protective plug of the drain elbow on.



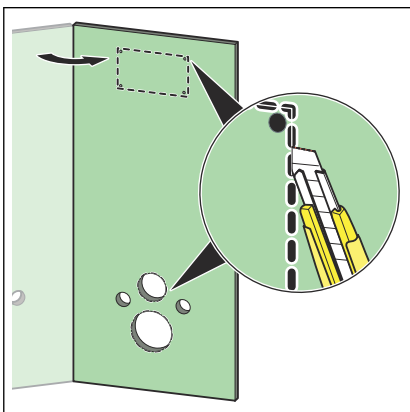
### 3.2.4 Set and clad the WC element



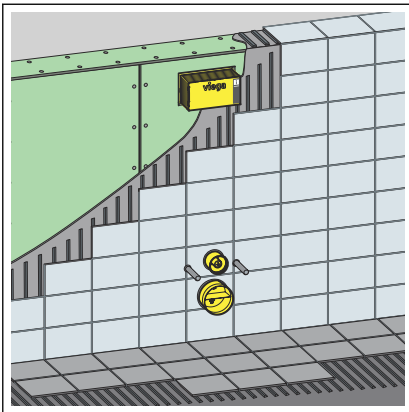
- Turn in the threaded rods by hand.
- Counter the threaded rods in front of the element with a nut.
- Place the protective caps on the threaded rods.



- Impress the plasterboard cladding panel at the inspection shaft and at the site protection by applying gentle pressure.



- Cut out the recesses for the site protection, the inspection shaft and the threaded rods.



- Clad the element with suitable plasterboard cladding panels.

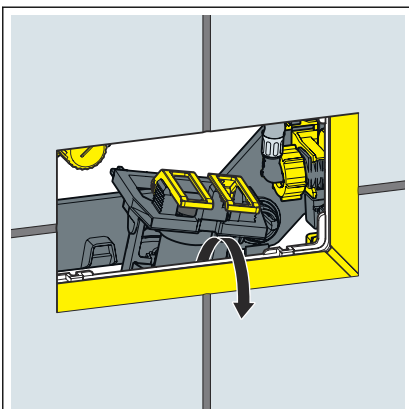
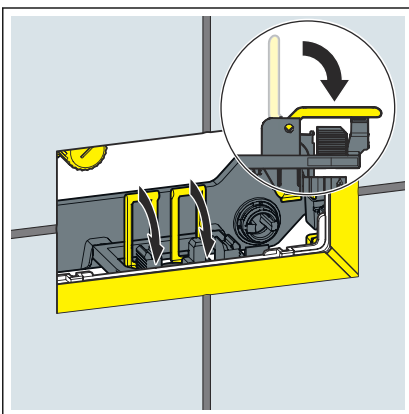
### 3.2.5 Setting the flush volume



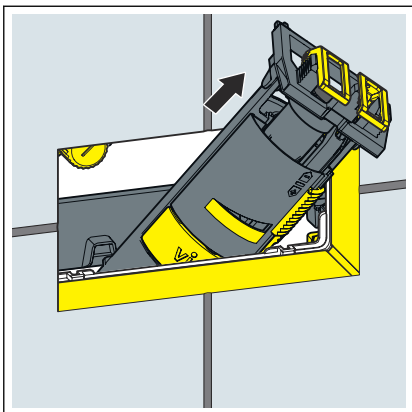
For an electronic flush actuation, the small flush volume must be set to 2 litres.

Requirements:

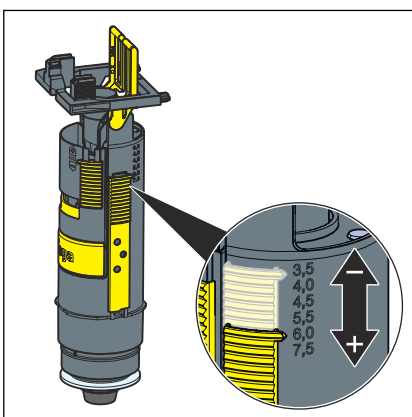
- The cistern is freely accessible.
- The water supply has been shut off.
- The ceramic has been mounted.
- Fold the tabs forward.



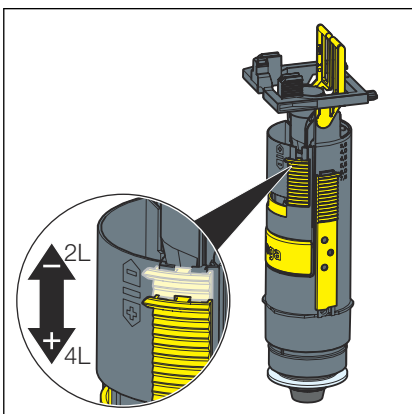
- Lift the drain valve.



➤ Remove the drain valve through the revision opening.



➤ Set the large flush volume at the drain valve.



➤ Set the small flush volume at the drain valve.

### 3.3 Cleaning and maintenance

#### Cleaning and maintenance of the concealed cistern

The concealed cistern is constantly under mechanical, chemical, and physical stress. For this reason, the components must be cleaned as required, and the drain and filling valve seals renewed.

In areas or regions with hard water due to high concentration of calcium or magnesium salts, there is the risk of limescale deposits developing on the inlet and drain valves. The valves may have to be replaced, depending on the extent of the deposits.

## 3.4 Disposal

Separate the product and packaging materials (e. g. paper, metal, plastic or non-ferrous metals) and dispose of in accordance with valid national legal requirements.



**Viega GmbH & Co. KG**  
service-technik@viega.de  
viega.com

INT • 2023-10 • VPN230368

