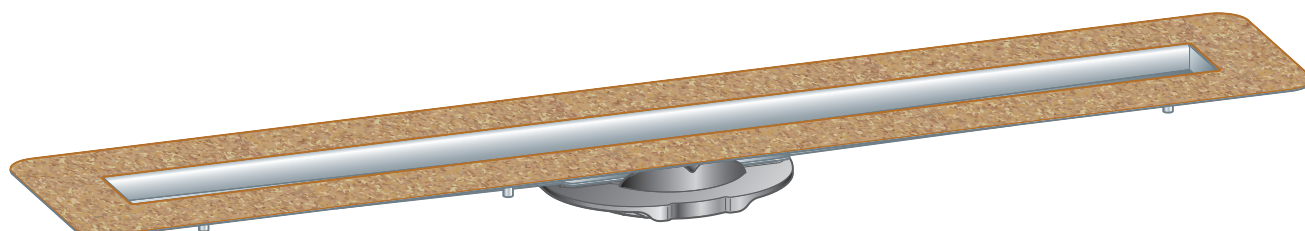


## Instructions for Use

# Advantix base unit for Advantix shower channel



for bonded sealing (tiled shower) with sealing mat

**Model**  
4982.10

**Year built (from)**  
04/2016

**viega**

# Table of contents

<b>1</b>	<b>About these instructions for use</b>	<b>3</b>
	1.1 Target groups	3
	1.2 Labelling of notes	3
	1.3 About this translated version	4
<b>2</b>	<b>Product information</b>	<b>5</b>
	2.1 Standards and regulations	5
	2.2 Certification	6
	2.3 Intended use	6
	2.3.1 Areas of application	6
	2.3.2 Media	7
	2.3.3 Drainage capacity	7
	2.4 Product description	8
	2.4.1 Overview	8
	2.4.2 Technical data	9
	2.4.3 Sound protection	9
	2.5 Information for use	9
	2.5.1 Sealing	9
	2.5.2 Fire protection	12
	2.6 Required accessories	12
<b>3</b>	<b>Handling</b>	<b>16</b>
	3.1 Assembly information	16
	3.1.1 Important note	16
	3.1.2 Installation dimensions	17
	3.1.3 Tools and materials	18
	3.2 Assembly	18
	3.2.1 Determine height	18
	3.2.2 Mounting base unit	19
	3.2.3 Aligning shower channel	22
	3.2.4 Connecting shower channel	22
	3.2.5 Preparing for further work	23
	3.2.6 Sealing the shower channel	25
	3.3 Care	31
	3.3.1 Care tips	31
	3.3.2 Cleaning	31
	3.4 Disposal	34

# 1 About these instructions for use

Trade mark rights exist for this document; for further information, go to [viega.com/legal](http://viega.com/legal).

## 1.1 Target groups

The information in this instruction manual is directed at the following groups of people:

- Heating and plumbing experts and trained personnel
- Consumers

Individuals without the abovementioned training or qualification are not permitted to mount, install and, if required, maintain this product. This restriction does not extend to possible operating instructions.

The installation of Viega products must take place in accordance with the general rules of engineering and the Viega instructions for use.

## 1.2 Labelling of notes

Warning and advisory texts are set aside from the remainder of the text and are labelled with the relevant pictographs.



### **DANGER!**

This symbol warns of possible life-threatening injury.



### **WARNING!**

This symbol warns of possible serious injury.



### **CAUTION!**

This symbol warns of possible injury.



### **NOTICE!**

This symbol warns of possible damage to property.



This symbol gives additional information and hints.

### 1.3 About this translated version

This instruction for use contains important information about the choice of product or system, assembly and commissioning as well as intended use and, if required, maintenance measures. The information about the products, their properties and application technology are based on the current standards in Europe (e.g. EN) and/or in Germany (e.g. DIN/DVGW).

Some passages in the text may refer to technical codes in Europe/Germany. These should serve as recommendations in the absence of corresponding national regulations. The relevant national laws, standards, regulations, directives and other technical provisions take priority over the German/European directives specified in this manual: The information herein is not binding for other countries and regions; as said above, they should be understood as a recommendation.

## 2 Product information

### 2.1 Standards and regulations

The following standards and regulations apply to Germany / Europe and are provided as a support feature.

#### Regulations from section: Sealing

Scope / Notice	Regulations applicable in Germany
Stress class of the underground, as well as suitable bonded sealing	ZDB-Merkblatt 8/2012
Stress class of the underground, as well as suitable bonded sealing	Leitfaden zur Abdichtung im Verbund (AIV)
Approved bonded sealings with proof of practicability in keeping with building law for stress classes A and AO	ETAG 022 T1
Approved bonded sealings with proof of practicability in keeping with building law for stress classes A, B and C	DIBt-Bauregelliste A, Teil 2 des DIBt und Prüfgrundsätze für Abdichtungen im Verbund (PG AIV-F)
Permitted bonded sealings	EN 14891
Sealing of inside rooms	DIN18534

#### Regulations from section: Media

Scope / Notice	Regulations applicable in Germany
Typical domestic wastewater	DIN 1986-3

#### Regulations from section: Sound protection



Scope / Notice	Regulations applicable in Germany
Fulfilled noise protection requirements	DIN 4109
Fulfilled noise protection requirements	VDI 4100

**Regulations from section: Important notes**

Scope / Notice	Regulations applicable in Germany
Dimensions of slots and recesses	EN 1996

## 2.2 Certification

Data acc. to DIN EN 1253, Table 7

Manufacturer	Viega GmbH & Co.KG
Manufacturer identification mark	
Certificate of conformity	
Address	Viega GmbH & Co.KG Viega Platz 1 57439 Attendorn Germany
Relevant standard	DIN EN 1253-1
Load class	K3
Product class with respect to temperature behaviour	A

## 2.3 Intended use

### 2.3.1 Areas of application

The shower channel is used in the bathroom as a drain for a floor-level shower. The shower channel is designed for small to medium volumes of water, such as those occurring in the residential building sector, for example.

Technical information, see [↗ Chapter 2.4.2 'Technical data'](#) on page 9.

### 2.3.2 Media

- The short-term temperature of the wastewater may reach up to 95° C. The temperature must be considerably lower in constant operation.
- The pH value must be higher than four but lower than ten.

It is not permitted to introduce wastewater, which could damage the product material.

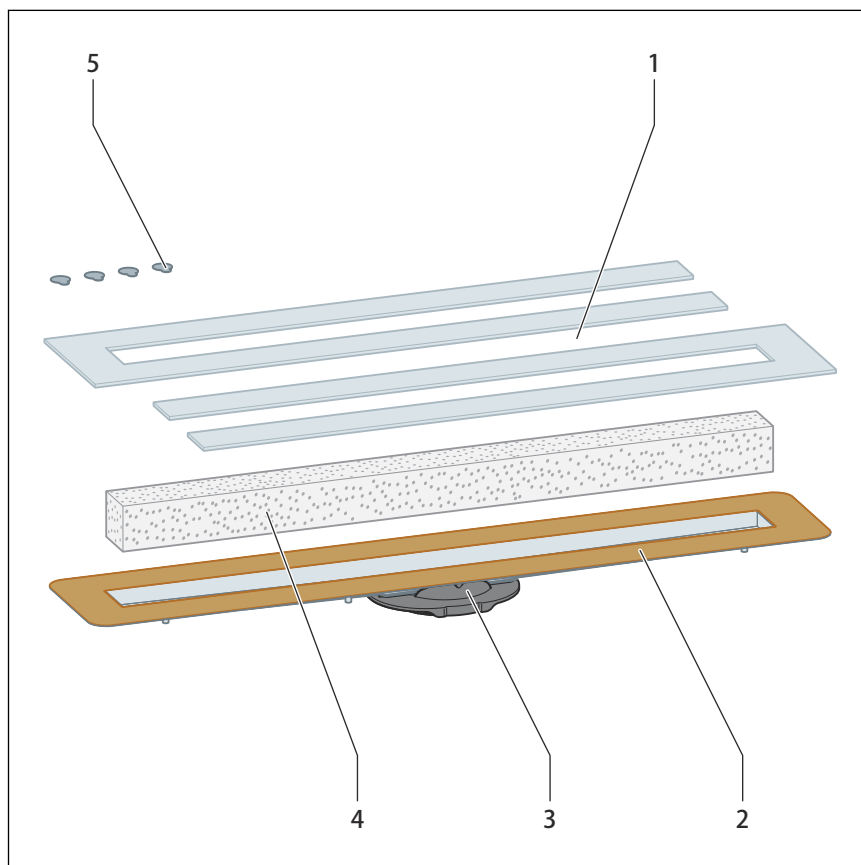
### 2.3.3 Drainage capacity

The drainage capacity is dependent on the odour trap used and on the chosen installation height. The installation height is the distance from the drain to the flange.

Odour trap	Installation height	Water seal level	Accumulation height 10 mm	Accumulation height 20 mm
Model 4982.92	95–155 mm	50 mm	0.5 l/s	0.55 l/s
Model 4982.93	70–110 mm	25 mm	0.4 l/s	0.45 l/s
Model 4982.94	95 mm and up	50 mm	0.9 l/s	1.1 l/s
Drain without odour trap model 4982.83	95 mm and up	-	1.2 l/s	1.2 l/s

## 2.4 Product description

### 2.4.1 Overview



**Fig. 1: Scope of delivery**

- 1 - Building protection cardboard
- 2 - Base unit
- 3 - Connection element
- 4 - Hard foam block
- 5 - Adhesive points

The following parts are not included in the scope of delivery and must be ordered separately:

- Odour trap
- Adjustable feet
- Mounting frame
- Grate
- Sealing material

See [Chapter 2.6 'Required accessories'](#) on page 12



## 2.4.2 Technical data

<b>Material</b>	Stainless steel 1.4301
<b>Drainage capacity</b>	↳ Chapter 2.3.3 'Drainage capacity' on page 7
<b>Dimensions</b>	↳ Chapter 3.1.2 'Installation dimensions' on page 17
<b>Installation height</b>	with odour trap model 4982.92: 95–160 mm with odour trap model 4982.93: 70–95 mm with odour trap model 4982.94: 40 mm and up without odour trap model 4982.83: 40 mm and up
<b>Water seal level</b>	with odour trap model 4982.92 and 4982.94: 50 mm with odour trap model 4982.93: 25 mm
<b>Load class</b>	K = 300 kg

## 2.4.3 Sound protection

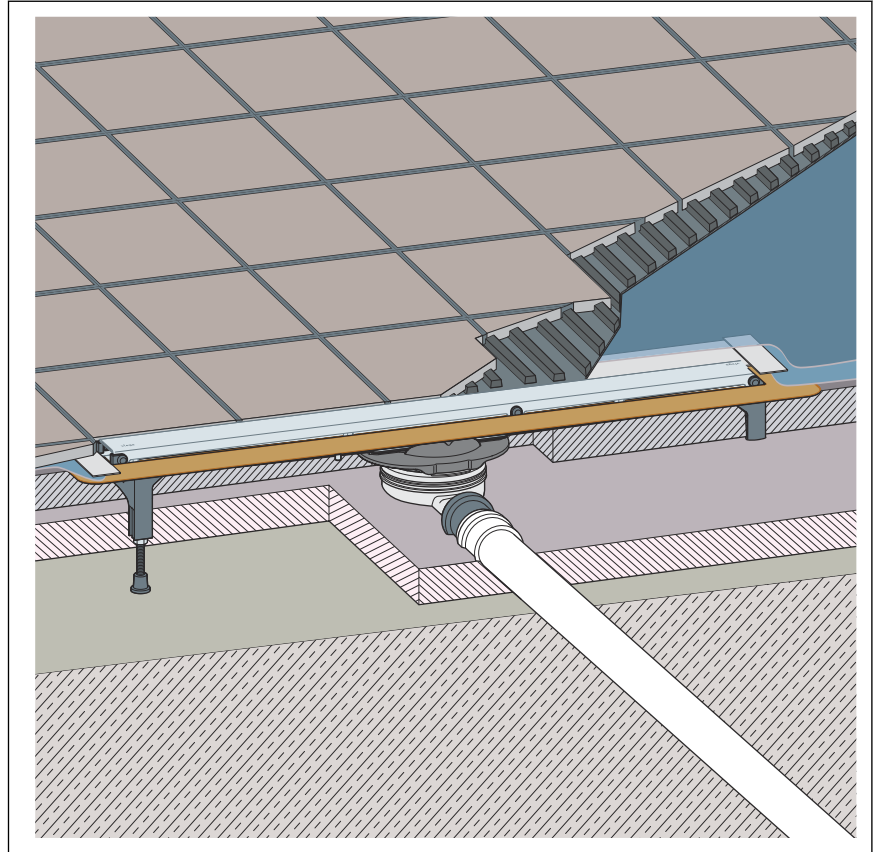
The measured sound level during water drainage is 19 dB(A). For information on sound protection requirements met, see ↳ 'Regulations from section: Sound protection' on page 5.

## 2.5 Information for use

### 2.5.1 Sealing

#### Bonded sealing

To protect against moisture penetration, apply sealing foils, which are to be processed in liquid state, directly below the tiles on screed and walls. The determination of the stress class and the underground as well as the selection of the suitable bonded sealing must be carried out in compliance with the valid standards and regulations, see: ↳ 'Regulations from section: Sealing' on page 5.



**Fig. 2: Diagram of a bonded seal**

### Important note

Careful planning is required for sealing. In addition, depending on the individual dampness wear class and the type of foundation, a suitable thin bed bonded sealing with a building regulations certificate of suitability must be chosen.

Furthermore, the following factors should be taken into account:

- The drain or shower channel must be equipped with a special flange, which has an adhesive surface and a width of at least 50 mm.
- For bridging the material change from drain to screed, either a suitable sealing collar or sealing tape designed for overlapping with the thin bed bonded sealing over a width of at least 50 mm must be used.
- The screed must be laid at a minimum incline of 1–2%.
- The installation must be carried out in acc. with the mounting instructions and the manufacturer's information.

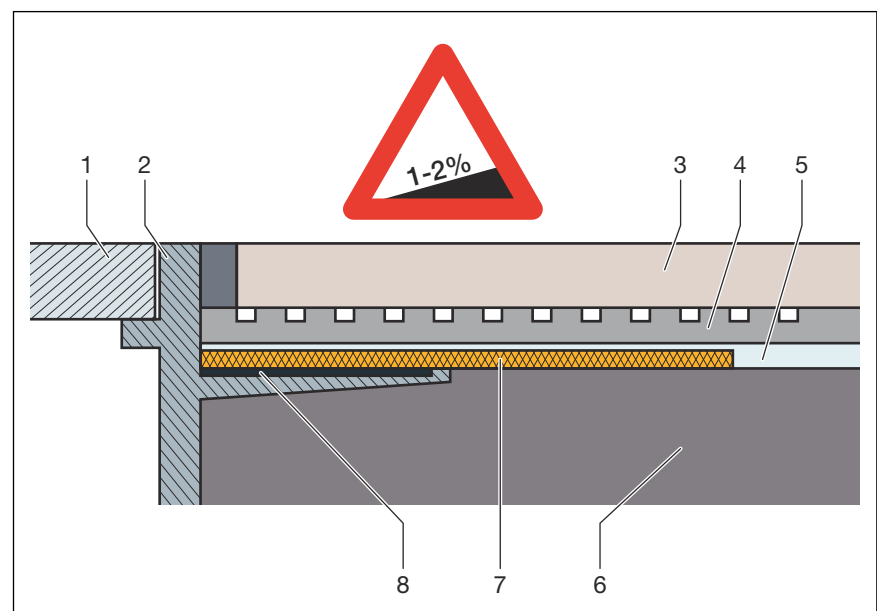


Fig. 3: Construction diagram of the bonded seal - min. screed incline 1–2 %

- 1 Grate
- 2 Top piece with adhesive flange
- 3 Tile
- 4 Tile cement
- 5 Bonded sealing
- 6 Screed
- 7 Sealing collar
- 8 Adhesive

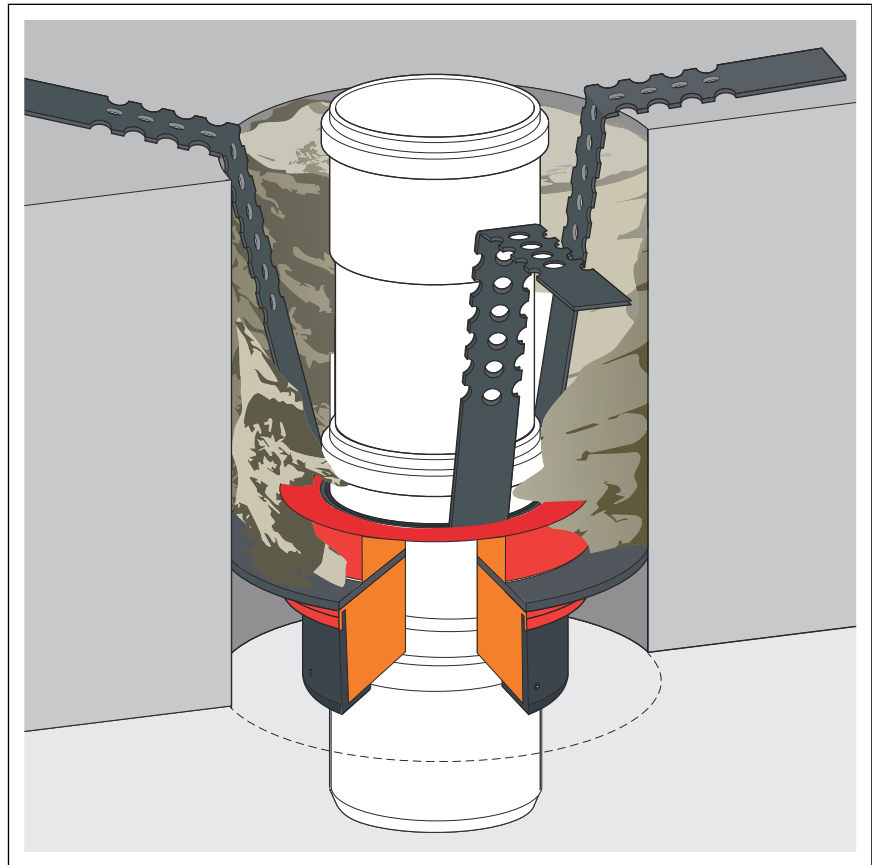
### Permitted bonded seals

In connection with suitable drains, only approved bonded sealings with proof of practicability in keeping with building law may be used. See [🔗 'Regulations from section: Sealing' on page 5.](#)

Information regarding the procedure can be found in the instructions for use of the corresponding product.

## 2.5.2 Fire protection

Advantix shower channels and drains can both be fitted to be fire proof. The R120 pipe lead-in can be used for this purpose in the floor construction. In this way, a fire resistance time of up to 120 minutes can be achieved.



**Fig. 4: Example: fire protection pipe lead-in**

For mounting instructions for the R120 pipe lead-in see model 4923.5, art. no. 491 673.

## 2.6 Required accessories

The following parts are not included in the scope of delivery and can be ordered separately:

- Odour trap
- Adjustable feet
- Mounting frame
- Shower channel drain
- Grate (see catalogue)
- Sealing tape for Advantix shower channels, model 4964.95, art. no. 619 121
- If required: mounting adhesive, model 4938.22, art. no. 571 788

## Odour trap

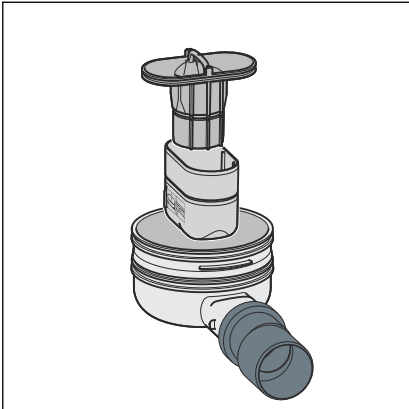


Fig. 5: Odour trap model 4982.92

Model	4982.92
Water seal level	50 mm
Construction height	95–155 mm
Drainage capacity	Accumulation height 10 mm: 0.5 l/s Accumulation height 20 mm: 0.55 l/s

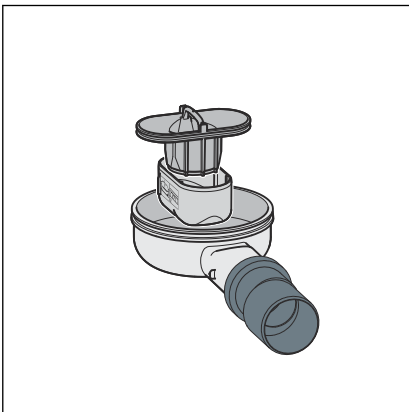


Fig. 6: Odour trap model 4982.93

Model	4982.93
Water seal level	25 mm
Construction height	70–110 mm
Drainage capacity	Accumulation height 10 mm: 0.4 l/s Accumulation height 20 mm: 0.45 l/s

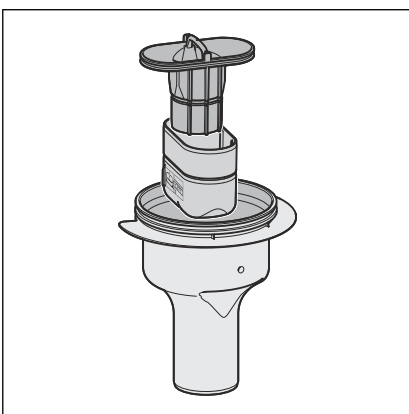
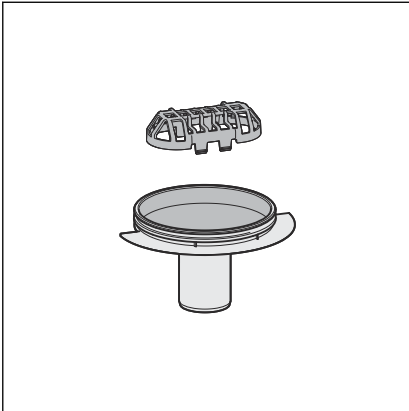


Fig. 7: Odour trap model 4982.94

Model	4982.94
Water seal level	50 mm
Construction height	95 mm and up
Drainage capacity	Accumulation height 10 mm: 0.9 l/s Accumulation height 20 mm: 1.1 l/s

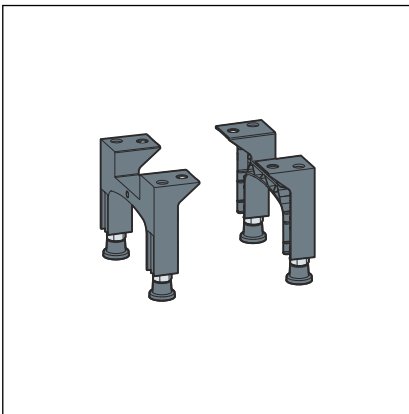
**Shower channel drain**



**Fig. 8: Advantix shower channel drain 4982.83**

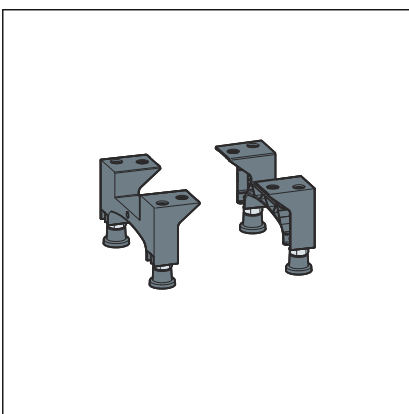
Model	4982.83
Construction height	95 mm and up
Drainage capacity	Accumulation height 10 mm: 1.3 l/s
	Accumulation height 20 mm: 1.2 l/s

**Adjusting feet set**



**Fig. 9: Adjusting feet set model 4982.90**

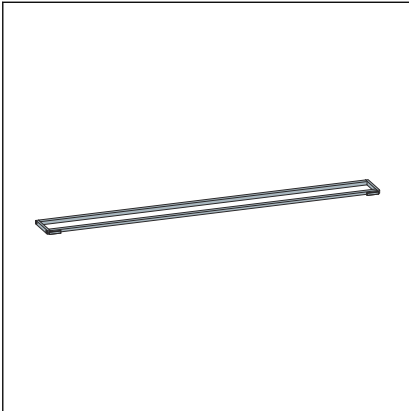
For installation height 95–155 mm



**Fig. 10: Adjusting feet set model 4982.91**

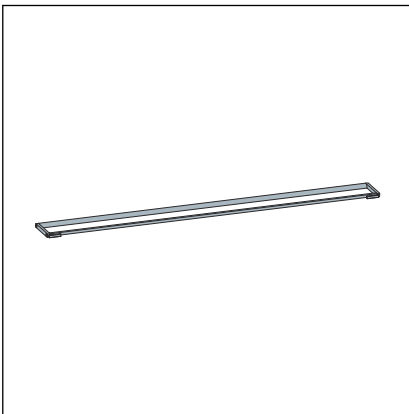
For installation height 70–110 mm

**Mounting frame**



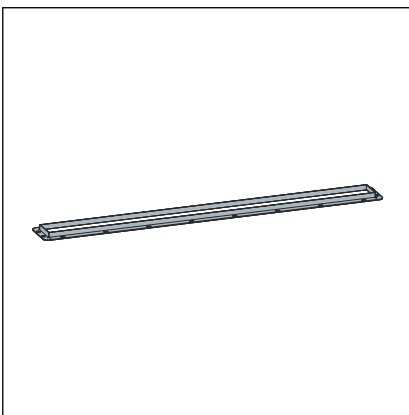
Rectangular design

**Fig. 11: Mounting frame model 4982.30**



Round design

**Fig. 12: Mounting frame model 4982.40**



Standard version

**Fig. 13: Mounting frame model 4982.45**

## 3 Handling

### 3.1 Assembly information

#### 3.1.1 Important note

Before assembly:

- Check if the drainage capacity of the model chosen is sufficient for the arising water volume ↪ *Chapter 2.3.3 'Drainage capacity' on page 7.*
- An adequate level of floor covering stability must be guaranteed ↪ *Chapter 2.4.2 'Technical data' on page 9.* This can be achieved either through an adequate screed thickness or another alternative solution. Relevant measures must be considered before mounting.
- The dimensions of slots and recesses must be in compliance with the regulations from section ↪ *'Regulations from section: Important notes' on page 6.*

During assembly:

- Observe installation dimensions.
- Do not use mounting adhesive older than 18 months.
- Position the shower channel in such a way that the grate is removable.

After assembly:

- The shower channel must be fully lined with mortar.
- Coordinate all relevant installation details, especially regarding the bonded sealing, with those responsible for the subsequent work.



### 3.1.2 Installation dimensions

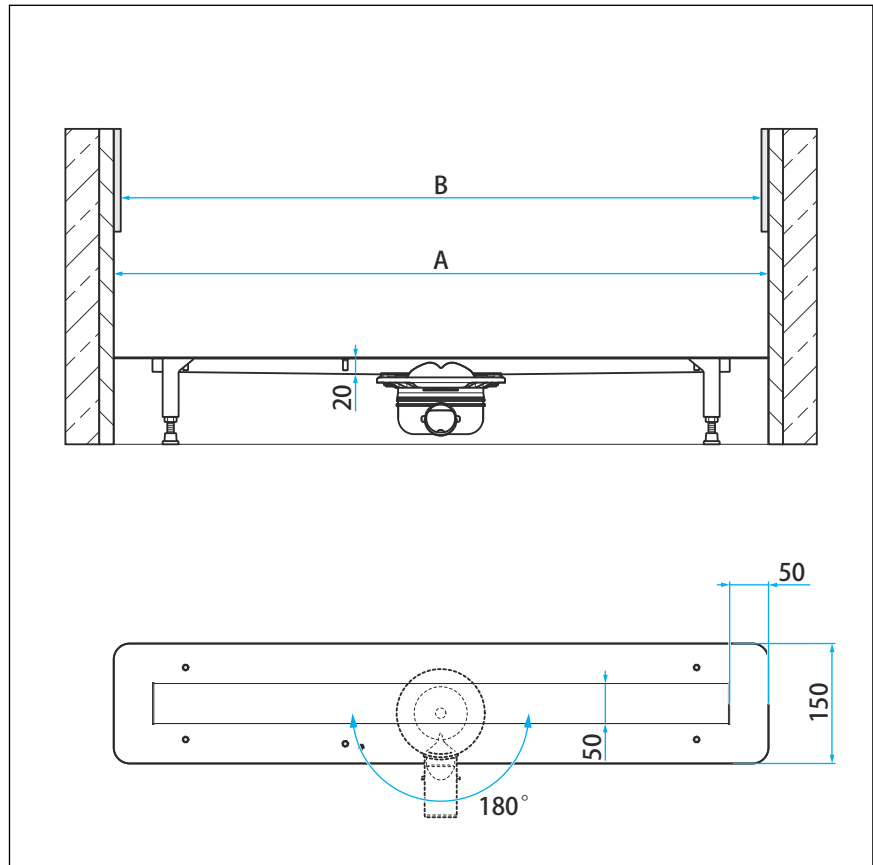


Fig. 14: Niche dimensions

Art. no.	A <sup>1)</sup>	B <sup>2)</sup>	Standard dimension of shower door
736 965	770	670	750
736 972	820	720	800
736 989	920	820	900
736 996	1020	920	1000
737 009	1220	1120	1200

<sup>1)</sup> linear dimension of the base unit

<sup>2)</sup> inner dimension of the base unit (grate size)

### 3.1.3 Tools and materials

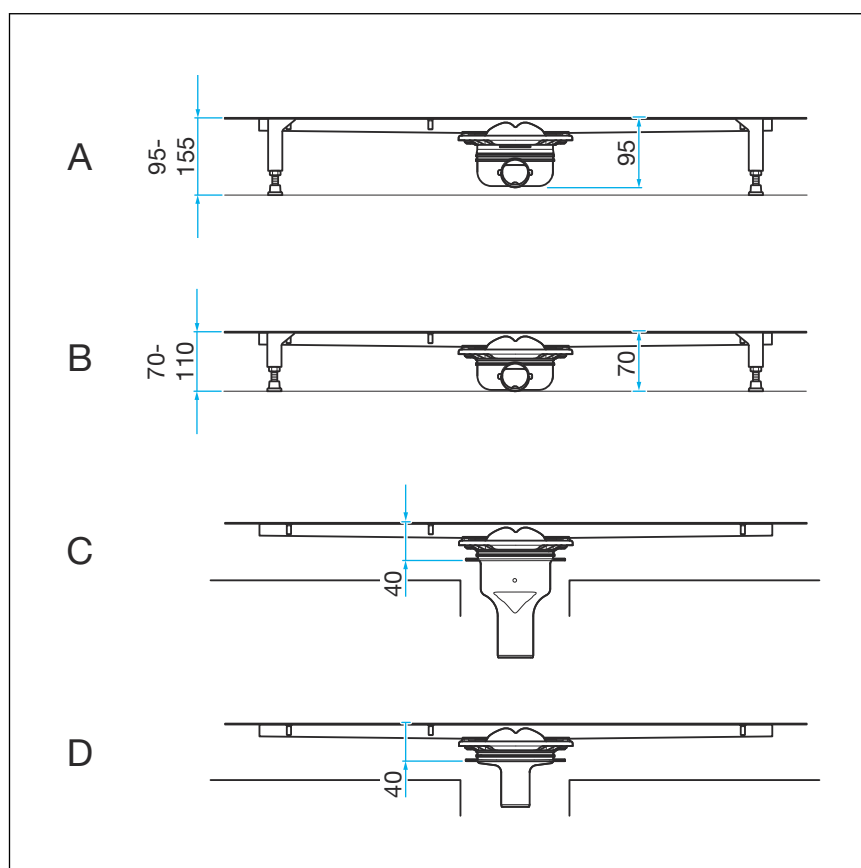
#### Special tools

- Fork spanner size 8 for grate mounting
- Drill, 6 mm
- Tool for the removal of the grate (e.g. model 4965.90, art. no. 689 704)

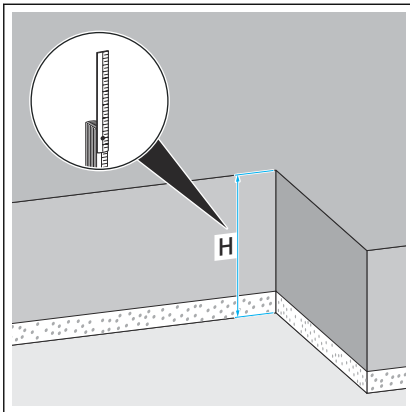
## 3.2 Assembly

### 3.2.1 Determine height

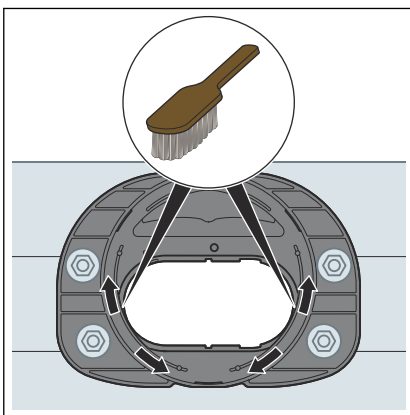
Depending on the selected odour trap, different installation heights can be implemented.



- A - Model 4982.92
- B - Model 4982.93
- C - Model 4982.94
- D - Model 4982.83



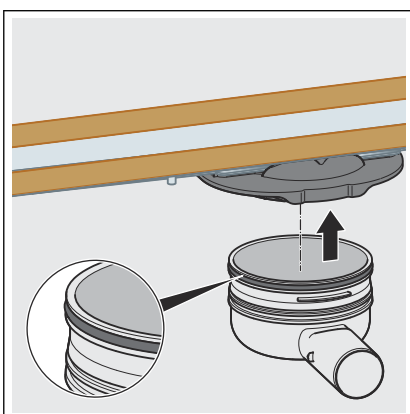
- Determine installation height (H).



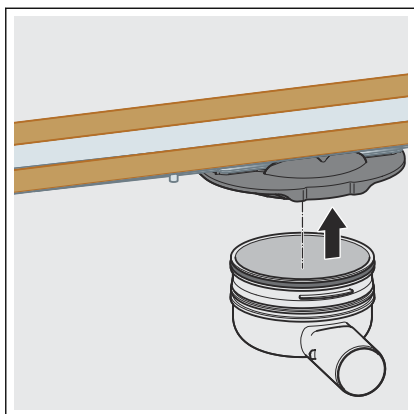
- Check the connection element for soiling, clean if necessary.

### 3.2.2 Mounting base unit

#### Mounting the drain

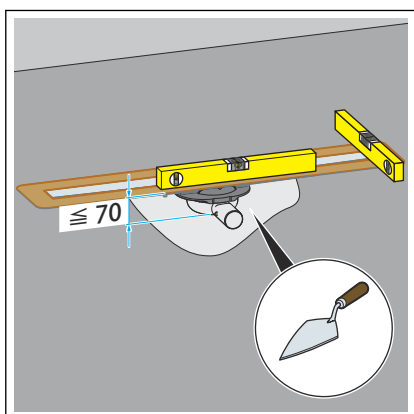


- Insert the greased sealing element into the casing.  
Observe the sealing element is correctly in place (see arrow).

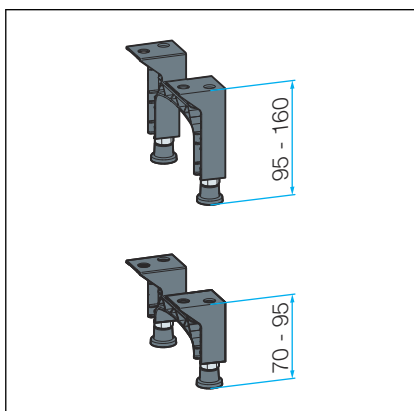


- Press the drain straight into the connection element until it snaps home.

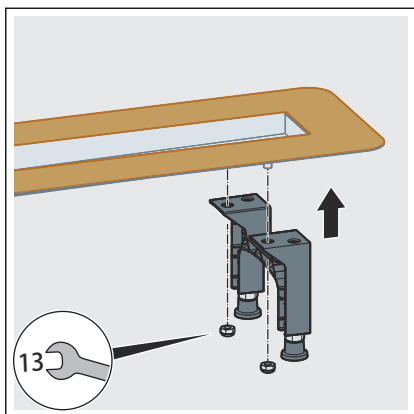
### Mounting the adjusting feet and drain sockets



- For installation heights of up to 70 mm:  
Align the base unit in the mortar bed.

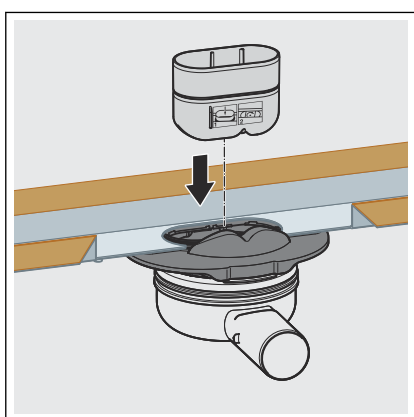


- Select the adjusting feet set in accordance with the installation height:
  - A – Model 4982.90, installation height: 95–160 mm
  - B – Model 4982.91, installation height: 70–95 mm

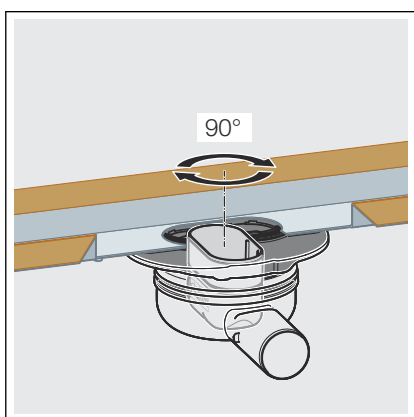


- Mount the adjusting feet.

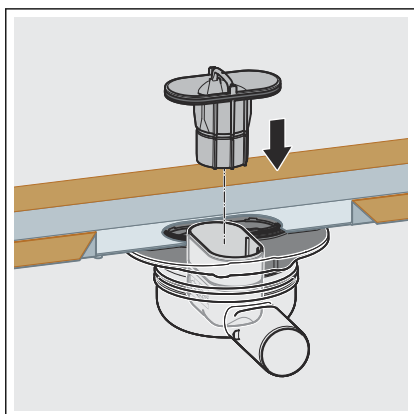
Regarding mounting, refer to the instructions for use for the adjusting feet set.



- Put in the odour trap insert.



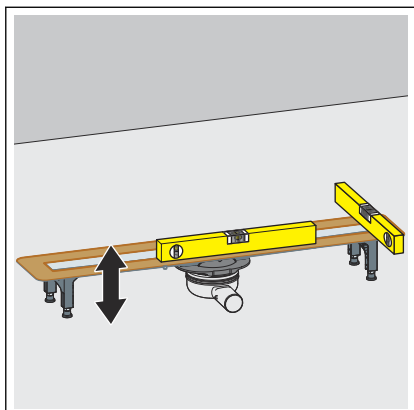
- Turn the odour trap insert clockwise through 90°.



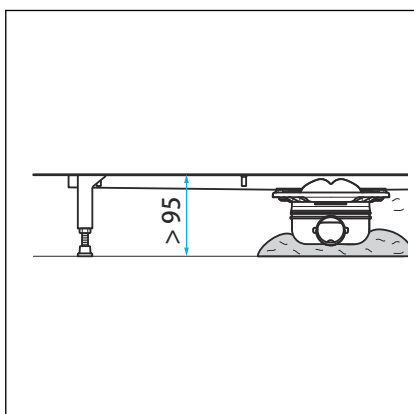
- Insert the immersion pipe of the odour trap.

◻ Inserting the immersion pipe of the odour trap fastens the odour trap insert.

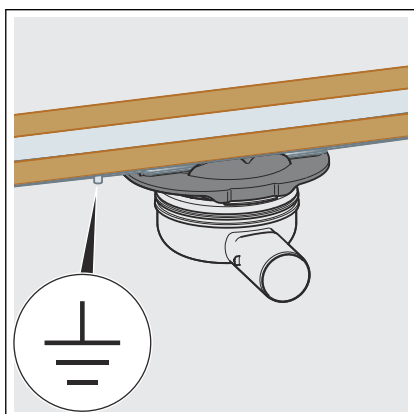
### 3.2.3 Aligning shower channel



- Adapt the base unit to screed height by adjusting the feet.
- Align the base unit horizontally in all directions.



- With an installation height above 95 mm, provide the odour trap with mortar bedding to prevent slippage.



- Check whether grounding is required.

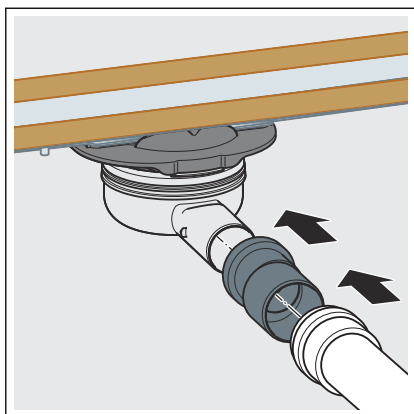
### 3.2.4 Connecting shower channel

The connection to the wastewater system must be completed before the drain can be installed in the floor construction.

Requirements:

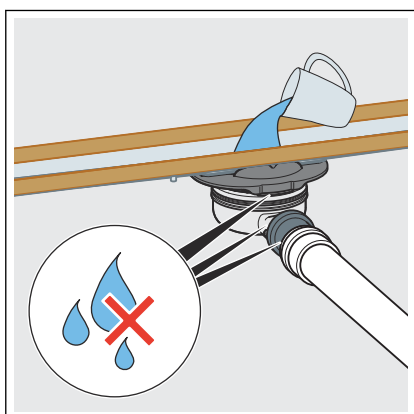
- A pipe to the planned drainage position is already in place for the connection to the wastewater system.
- The drainpipe has an internal profile seal.

Proceed as follows:



- Insert the drain socket into the drainpipe as far as it will go.

### 3.2.5 Preparing for further work



- Fill the shower channel with water.
- Check the drain casing and pipeline for leak tightness.

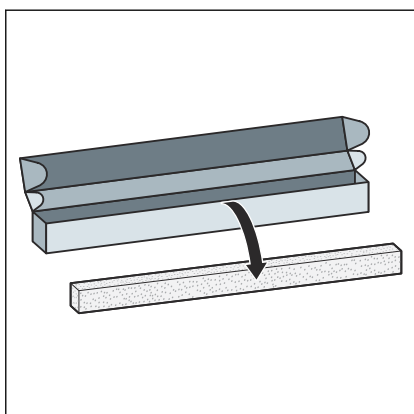
### Lining with screed



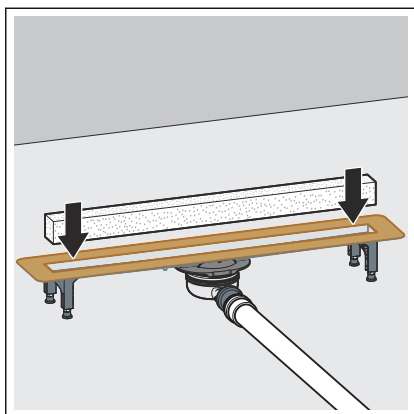
#### **NOTICE!** **Product damage due to improper installation**

If cavities form during the lining of the shower channel, leaks may occur when pressure is applied.

Inform the subsequent workers that the shower channel must be fully lined and that there must be no cavities generated.

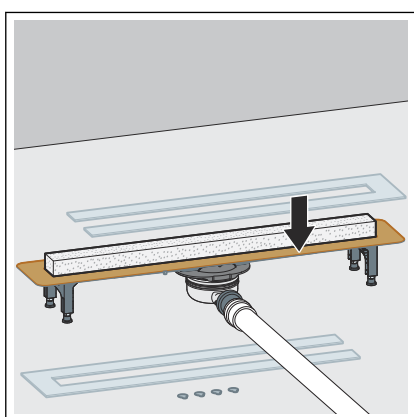


- Remove the hard foam block from the packaging.

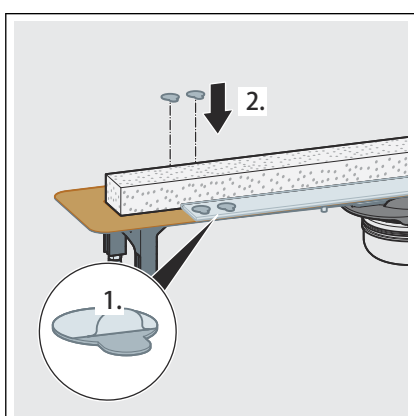


- Insert the protective insert made of hard foam.

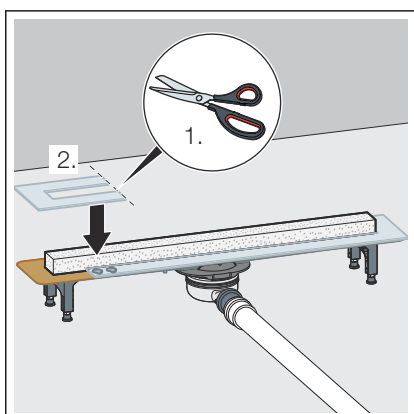
The protective insert acts as a mounting aid and protection against contamination.



- Mount the site protection.

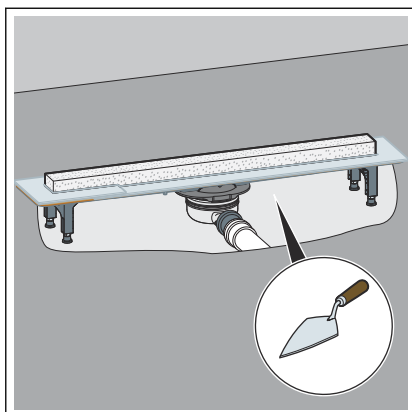


- Stick on the adhesive points and remove the protective cover.



- Shorten the second part of the site protection if applicable, and mount it.





**INFO!** Screed and floor tiles must be laid at an incline of 1–2 % in the direction of the shower channel.

- Line the shower channel fully with screed up to the upper edge of the flange.

### 3.2.6 Sealing the shower channel

#### Requirements

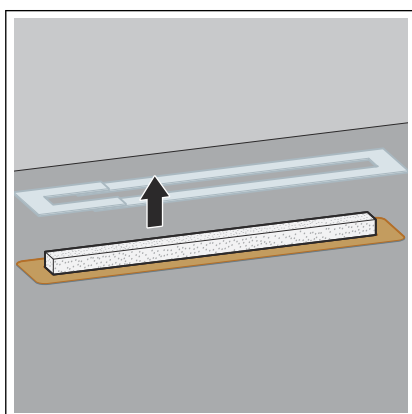
The flange must be clean and free from material residue. If necessary, clean the flange.



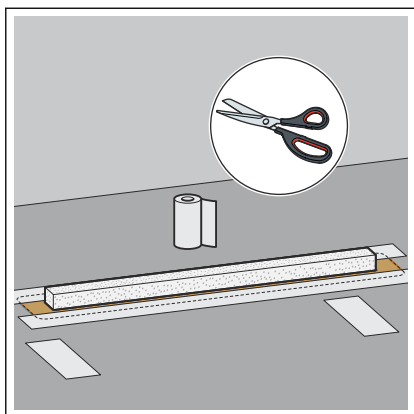
The sealing tape is not included with delivery. Viega recommends model 4964.95, art. no. 619 121.

Sealing can take place with or without the use of mounting adhesive. The mounting adhesive is not included in the scope of delivery. Viega recommends model 4938.33, art. no. 571 788.

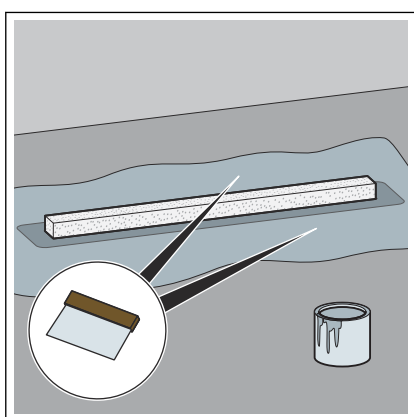
#### Sealing with bonded sealing, without mounting adhesive



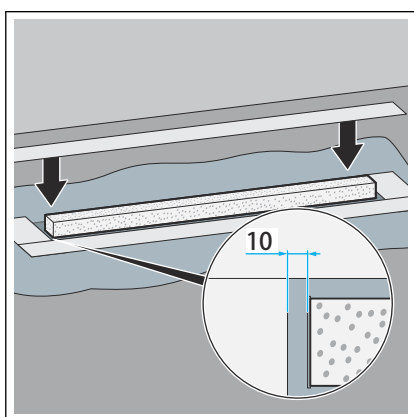
- Remove the site protection.



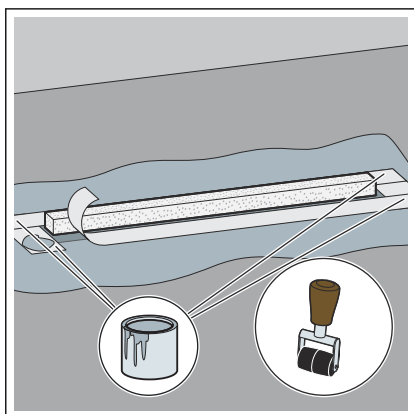
- Cut the sealing tape generously. The strips must overlap when stuck on.



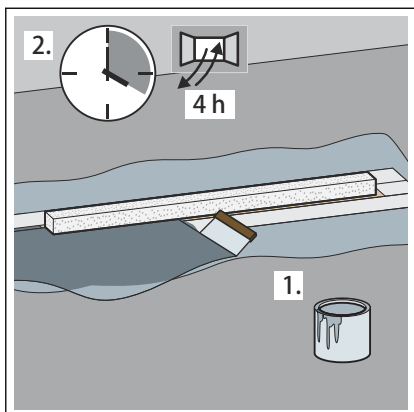
- Apply the first layer of bonded sealing generously onto the screed and the flange. Observe the instructions for use of the manufacturer of the bonded sealing.



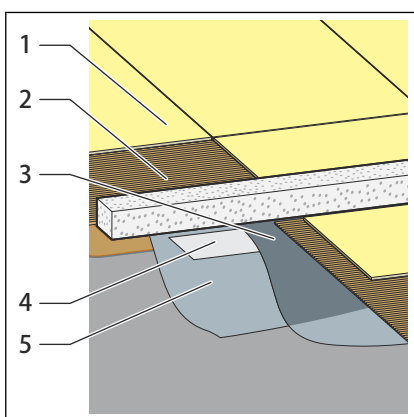
- Place the sealing tape on the flange in such a way that flange and screed are evenly covered.
- Press the sealing tape firmly into the bonded sealing. Overlap the corners in the process.



- Stick the overlapping tape strips together at the corners with bonded sealing.
- Thoroughly work over the adhesive surfaces with a roller.



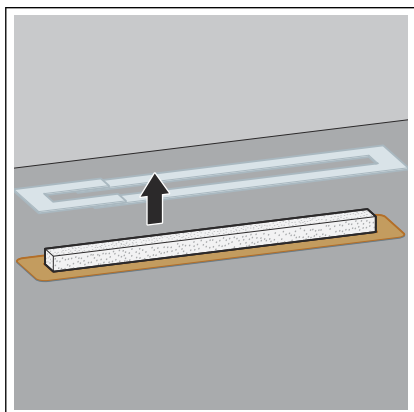
- Apply the second layer of bonded sealing generously on the sealing tape and screed.



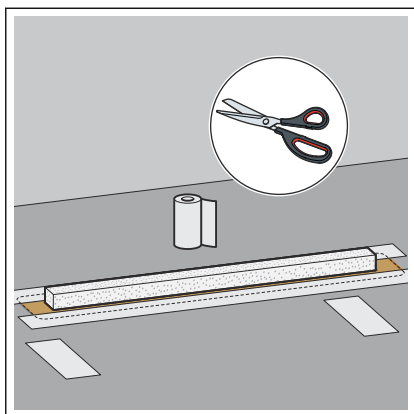
- Layer build-up sealing:
  - 1 – Tiles
  - 2 - Tile adhesive
  - 3 – Bonded sealing (2)
  - 4 - Sealing tape
  - 5 – Bonded sealing (1)

If no cover trim is to be fitted, the floor can now be tiled ↪ *'Lay tiles (mounting without cover trim)'* on page 31.

### Sealing with bonded sealing and mounting adhesive



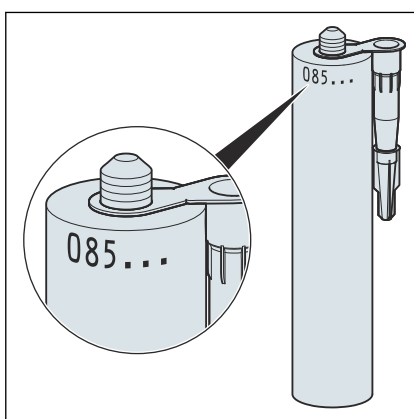
- Remove the site protection.



- Cut the sealing tape to length so that the tape overlaps the flange and the screed.

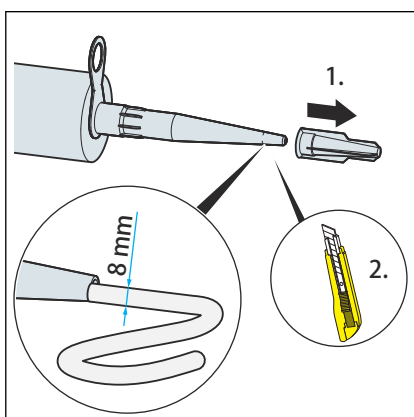
Ensure that they overlap by at least 50 mm!

The sealing tape must enclose the entire shower channel.

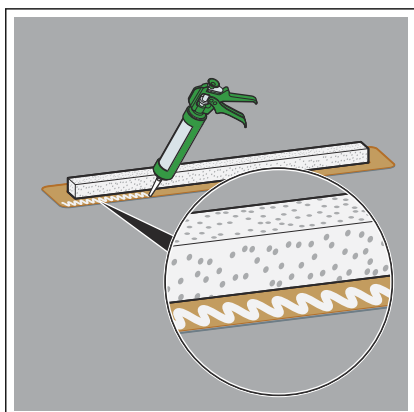


- Use a suitable tool to open the cartridge of the mounting adhesive.

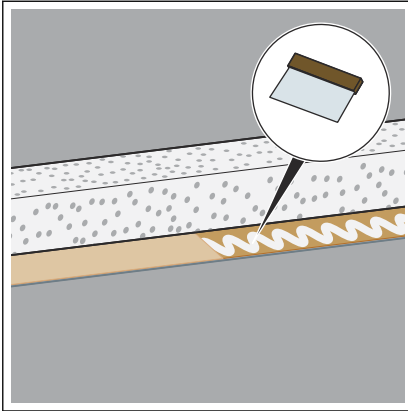
**INFO!** Check the expiry date on the cartridge.



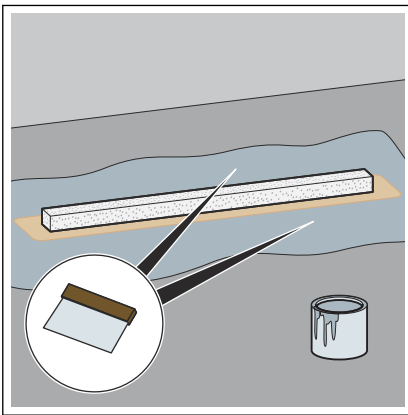
- Unscrew the cartridge and cut it so that you can apply the adhesive in a strip of approx. 8 mm width.



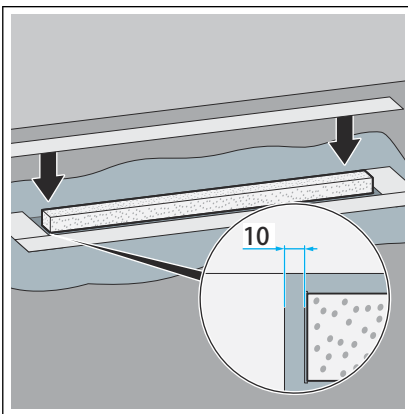
- Apply the mounting adhesive to the flange.



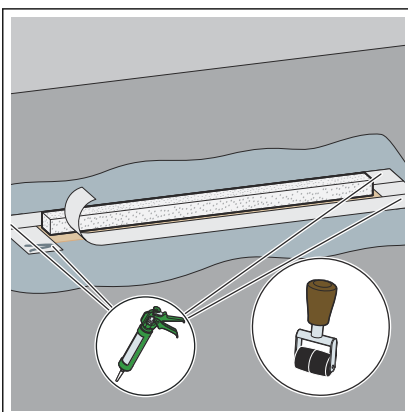
- Use a palette-knife to spread the mounting adhesive evenly.



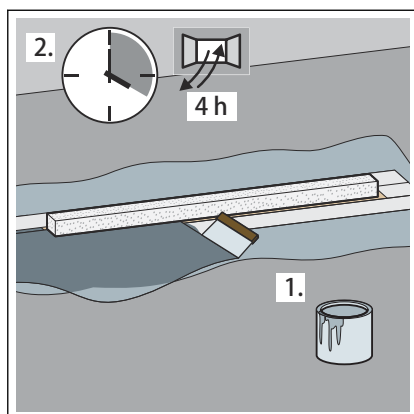
- Apply the first layer of bonded sealing generously onto the screed. Observe the instructions for use of the manufacturer of the bonded sealing.



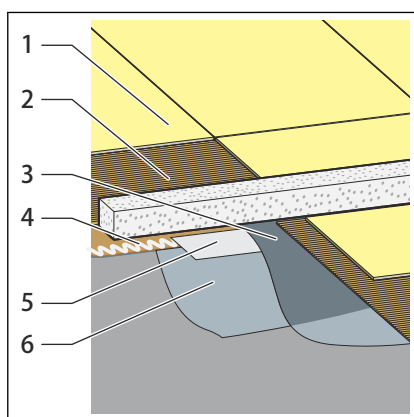
- Place the sealing tape on the flange in such a way that flange and screed are evenly covered.
- Press the sealing tape firmly onto the mounting adhesive and the bonded sealing. Overlap the corners in the process.



- Stick the overlapping strips together at the corners with mounting adhesive.
- Thoroughly work over the adhesive surface with a roller.



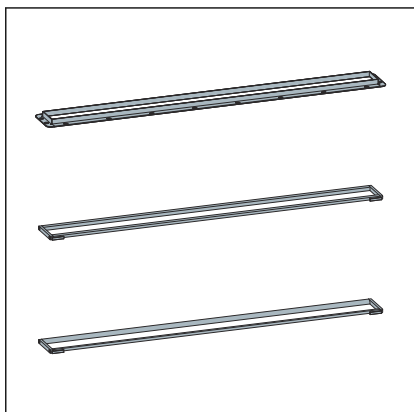
- Apply the second layer of bonded sealing generously on the sealing tape and screed.



- Layer build-up sealing:
  - 1 – Tiles
  - 2 - Tile adhesive
  - 3 – Bonded sealing (2)
  - 4 – Mounting adhesive
  - 5 - Sealing tape
  - 6 – Bonded sealing (1)

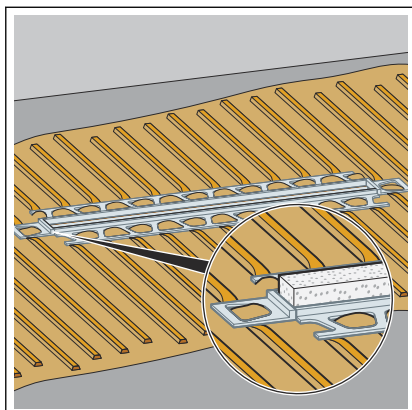
If no cover trim is to be fitted, the floor can now be tiled ↗ *'Lay tiles (mounting without cover trim)'* on page 31.

### Mounting with Viega mounting frames



- Regarding mounting, refer to the instructions for use for the mounting frame.
  - Model 4982.30
  - Model 4982.40
  - Model 4982.45

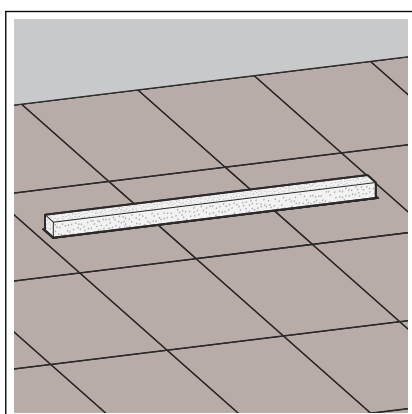
### Installation with covering



- Glue the rail in a straight line at the protective insert.
- Deburr the cutting edges.
- Avoid differences in height between different parts of the rails.
  - The shower channel is now installed.

The floor can now be tiled ↗ *'Lay tiles (mounting without cover trim)'* on page 31.

### Lay tiles (mounting without cover trim)



- Lay the tiles right up to the edge of the protective insert.

**CAUTION!** Avoid sharp edges in the following places in the barefoot area:

- on tiles
- at surface ends
- on mounting profiles
- Polish the tile edge.

Finally, a grate must be mounted. See catalogue for suitable grates. Regarding mounting, refer to the instructions for use of the grate.

## 3.3 Care

### 3.3.1 Care tips

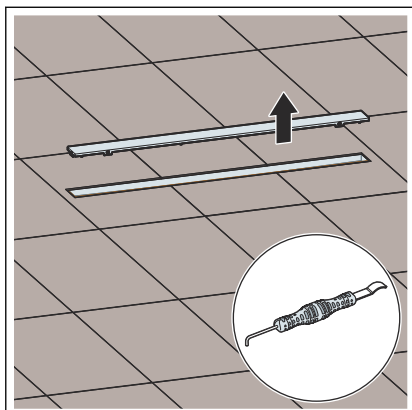
Normal soap or a mild cleaning agent can be used for regular maintenance and prevention of lime scale on the grate and frame. Use no scouring agent or abrasive objects.

Strong stains, even around the drain unit and the odour trap, can be removed using typical household cleaner. Rinse the detergent very thoroughly with clear water after the prescribed dwell time. There should be no residue on the components.

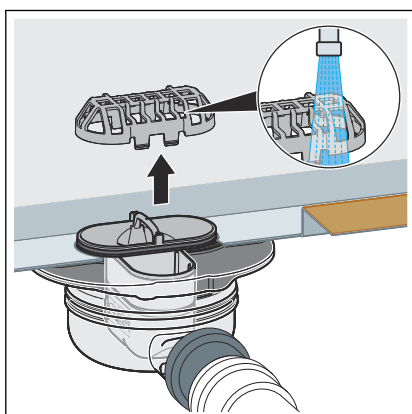
### 3.3.2 Cleaning

Viega recommends using a mild cleaning agent, a cloth and a washing-up brush for cleaning.

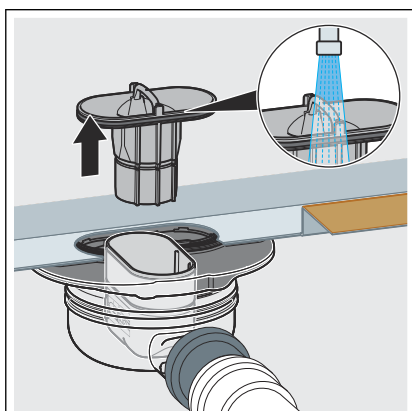
## Cleaning the drain



- Remove the grate, for example with the removal tool model 4965.90, art. no. 689 704.

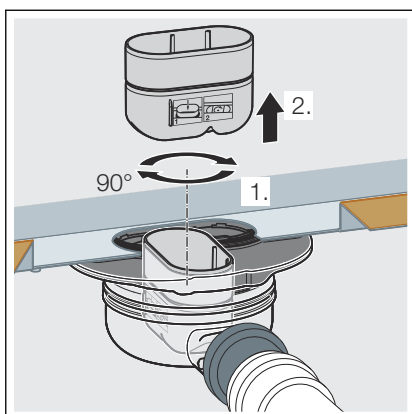


- Remove the sieve and clean it under running water.

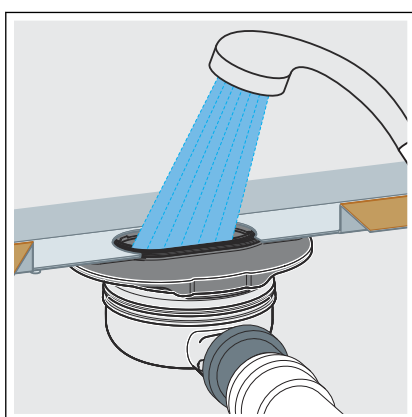


- Remove the immersion pipe of the odour trap.
- Clean the sieve and immersion pipe.

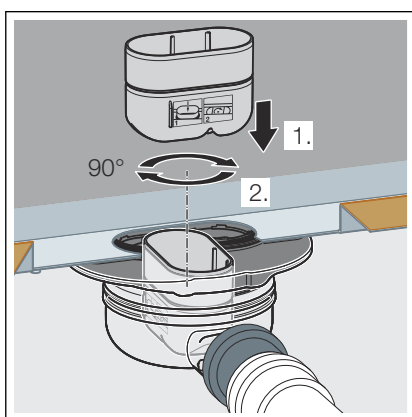




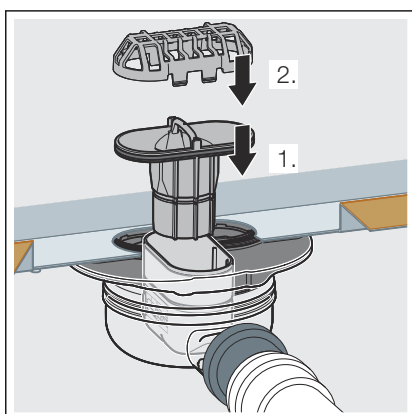
➤ Remove the odour trap insert.



➤ Clean the base unit.

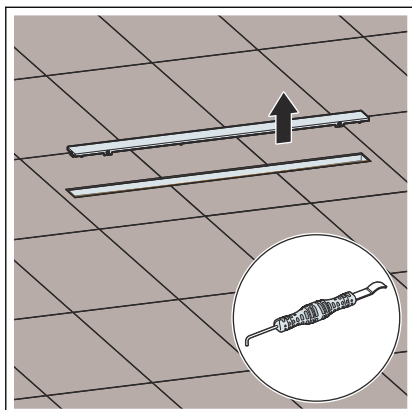


➤ Replace the odour trap insert.

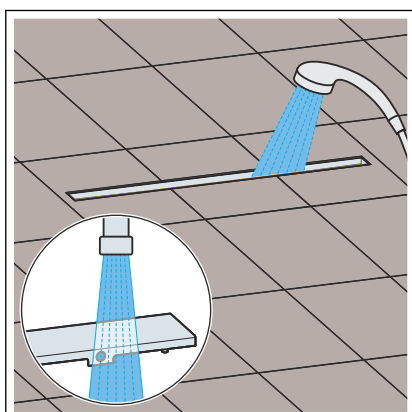


- Replace the immersion pipe.
- Replace the sieve.
- Replace the grate.

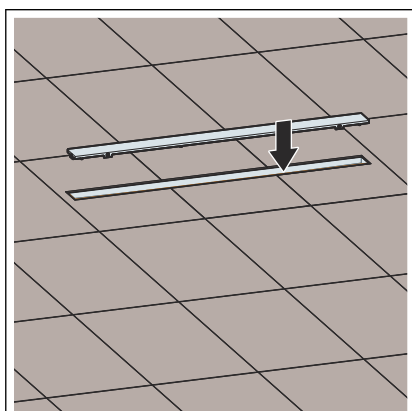
### Clean shower channel



- Remove the grate, for example with the removal tool model 4965.90, art. no. 689 704.



- Clean the grate and shower channel.
- Rinse with clean water.



- Replace the grate in the shower channel.

## 3.4 Disposal

Separate the product and packaging materials (e. g. paper, metal, plastic or non-ferrous metals) and dispose of in accordance with valid national legal requirements.



**Viega GmbH & Co. KG**  
service-technik@viega.de  
viega.com

INT • 2023-11 • VPN230263

