

Instructions for Use

Easytop concealed free-flow valve



for drinking water installation

Model
2278.6

Year built (from)
04/2017

viega

Table of contents

1	About these instructions for use	3
	1.1 Target groups	3
	1.2 Labelling of notes	3
	1.3 About this translated version	4
2	Product information	5
	2.1 Standards and regulations	5
	2.2 Intended use	7
	2.2.1 Areas of use	7
	2.2.2 Media	7
	2.3 Product description	8
	2.3.1 Overview	8
	2.3.2 Threaded connection	9
	2.3.3 Markings on components	9
	2.3.4 Compatible components	9
	2.3.5 Technical data	9
	2.4 Information for use	10
	2.4.1 Corrosion	10
	2.5 Optional accessories	10
3	Handling	13
	3.1 Assembly information	13
	3.1.1 Installation dimensions	13
	3.1.2 Mounting instructions	13
	3.2 Assembly	14
	3.2.1 Mounting the valve	14
	3.2.2 Leakage test	15
	3.3 Maintenance	16
	3.4 Disposal	16

1 About these instructions for use

Trade mark rights exist for this document; for further information, go to viega.com/legal.

1.1 Target groups

The information in this manual is directed at heating and sanitary professionals and trained personnel.

Individuals without the abovementioned training or qualification are not permitted to mount, install and, if required, maintain this product. This restriction does not extend to possible operating instructions.

The installation of Viega products must take place in accordance with the general rules of engineering and the Viega instructions for use.

1.2 Labelling of notes

Warning and advisory texts are set aside from the remainder of the text and are labelled with the relevant pictographs.



DANGER!

This symbol warns of possible life-threatening injury.



WARNING!

This symbol warns of possible serious injury.



CAUTION!

This symbol warns of possible injury.



NOTICE!

This symbol warns of possible damage to property.



This symbol gives additional information and hints.

1.3 About this translated version

This instruction for use contains important information about the choice of product or system, assembly and commissioning as well as intended use and, if required, maintenance measures. The information about the products, their properties and application technology are based on the current standards in Europe (e. g. EN) and/or in Germany (e. g. DIN/DVGW).

Some passages in the text may refer to technical codes in Europe/Germany. These should serve as recommendations in the absence of corresponding national regulations. The relevant national laws, standards, regulations, directives and other technical provisions take priority over the German/European directives specified in this manual: The information herein is not binding for other countries and regions; as said above, they should be understood as a recommendation.

2 Product information

2.1 Standards and regulations

The following standards and regulations apply to Germany / Europe and are provided as a support feature.

Regulations from section: Fields of application

Scope / Notice	Regulations applicable in Germany
Planning, execution, operation and maintenance of potable water installations	DIN EN 806, part 1
Planning, execution, operation and maintenance of potable water installations	DIN EN 806, part 2
Planning, execution, operation and maintenance of potable water installations	DIN EN 806, part 3
Planning, execution, operation and maintenance of potable water installations	DIN EN 806, part 4
Planning, execution, operation and maintenance of potable water installations	DIN EN 806, part 5
Planning, execution, operation and maintenance of potable water installations	DIN EN 1717
Planning, execution, operation and maintenance of potable water installations	DIN 1988
Planning, execution, operation and maintenance of potable water installations	VDI/DVGW 6023
Planning, execution, operation and maintenance of potable water installations	Trinkwasserverordnung (TrinkwV)

Regulations from section: Media

Scope / Notice	Regulations applicable in Germany
Suitability for drinking water	Trinkwasserverordnung (TrinkwV)

Regulations from section: Product description

Scope / Notice	Regulations applicable in Germany
Suitability for drinking water installations	Trinkwasserverordnung (TrinkwV)
Suitability for drinking water installations	DIN 50930-6
Requirements in plastic components in drinking water installations	DVGW-Arbeitsblatt W270

Regulations from section: Overview

Scope / Notice	Regulations applicable in Germany
Compliance with the inspection requirements (fittings group I)	DIN EN 13828
Compliance with the inspection requirements (fittings group I)	DIN EN 1213

Regulations from section: Threaded connection

Scope / Notice	Regulations applicable in Germany
Threaded pair	DIN EN 10226-1
Permitted sealants	DIN 30660
Permitted sealants	DIN EN 751-2

Regulations from section: Marking on components

Scope / Notice	Regulations applicable in Germany
Designation noise class I	DIN EN 1213 DIN EN 13828

Regulations from section: Corrosion

Scope / Notice	Regulations applicable in Germany
External corrosion protection	DIN EN 806-2
External corrosion protection	DIN 1988-200
External corrosion protection	DKI-Informationsdruck i. 160

Regulations from section: Leakage test

Scope / Notice	Regulations applicable in Germany
Leakage test for potable water installations	DIN EN 806, part 4
Leakage test for potable water installations	ZVSHK-Merkblatt „Dichtheitsprüfungen von Trinkwasserinstallationen mit Druckluft, Inertgas oder Wasser“

Regulations from section: Maintenance

Scope / Notice	Regulations applicable in Germany
Operation and maintenance of potable water installations	DIN EN 806-5

2.2 Intended use



Coordinate the use of the model for areas of use and media other than those described with the Viega Service Center.

2.2.1 Areas of use

Use is possible in the following areas among others:

- Drinking water installations
- Industrial units

The model serves as a shut-off for the storey units.

The general rules of engineering and the applicable regulations must be observed for planning, execution, operation and maintenance potable water installations, see ↗ *'Regulations from section: Fields of application'* on page 5.

2.2.2 Media

The model is also suitable for the following media, amongst others:

- Drinking water without limitations acc. to the applicable directives, see ↗ *'Regulations from section: Media'* on page 5
- maximum chloride concentration 250 mg/l pursuant to applicable regulations, see ↗ *'Regulations from section: Media'* on page 5

2.3 Product description

According to the applicable regulations, Easytop system fittings can be used for all types of potable water and are DVGW certified, see [☞ 'Regulations from section: Product description' on page 6](#). Their plastic components comply with the KTW recommendation and the requirements pursuant to the applicable regulations.

2.3.1 Overview



The Easytop system fittings comply with the test requirements specified in the applicable regulations, see [☞ 'Regulations from section: Overview' on page 6](#)
Sound protection $L_{ap} \leq 20 \text{ dB(A)}$

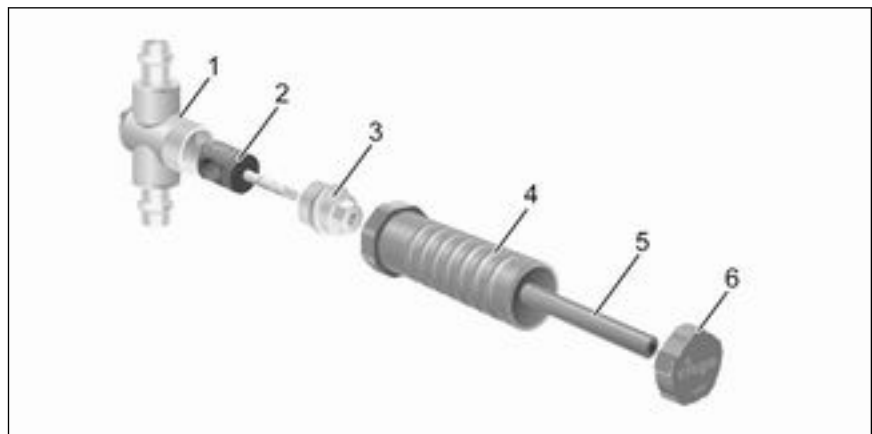


Fig. 1: Structure of a free-flow valve with model 2240 as an example

- 1 - Easytop concealed free-flow valve
- 2 - shut-off units and seals made of EPDM
- 3 - valve top (dead space free)
- 4 - protective sleeve
- 5 - driver
- 6 - Protective cap

The model is equipped as follows:

- valve casing and top made of gunmetal/silicon bronze
- Site protection
- dual-sided Rp-thread

The model is available in the following dimensions: Rp ½, Rp¾.

2.3.2 Threaded connection

Prerequisite for a threaded connection, which seals via a thread, is a threaded pair in accordance with applicable regulations, see ↪ *'Regulations from section: Threaded connection'* on page 6. Pursuant to these regulations, a permitted threaded pair comprises a conical external thread and a cylindrical internal thread, e.g. R $\frac{3}{4}$ and Rp $\frac{3}{4}$.

Only use commercially available and chloride-free, DVGW approved sealant in accordance with the applicable regulations to seal threads, see ↪ *'Regulations from section: Threaded connection'* on page 6.

2.3.3 Markings on components

The model is marked as follows:

- flow direction indicator
- noise class I on the basis of applicable regulations, see ↪ *'Regulations from section: Marking on components'* on page 6
- dimension
- DVGW writing
- position indicator

2.3.4 Compatible components

Should you have any questions on this subject, please contact the Viega Service Center.

2.3.5 Technical data

Observe the following operating conditions for the installation of the model:

Operating temperature [T _{max}]	90 °C
Operating pressure [P _{max}]	1.0 MPa (10 bar)

2.4 Information for use

2.4.1 Corrosion

Overground pipelines and fittings in rooms do not normally require external corrosion protection.

There are exceptions in the following cases:

- Contact with aggressive building materials such as nitrite or materials containing ammonium
- in aggressive surroundings

If external corrosion protection is required, observe the pertinent guidelines, see ↗ 'Regulations from section: Corrosion' on page 6.



Easytop fittings made of gunmetal/silicon bronze are suitable for all types of potable water.

The chloride concentration in the medium must not exceed a maximum value of 250 mg/l.

This chloride is not a disinfectant, but in fact pertains to the content in sea and table salt (sodium chloride).

2.5 Optional accessories

The following optional accessories are available:

- Insulating shell
- Equipment sets
- Public building model
- Mounting sets



Fig. 2: Model 2210.40, insulating shell



Fig. 3: Model 2236.10, equipment set



Fig. 4: Model 2236, equipment set



Fig. 5: Model 2236.50, public building model

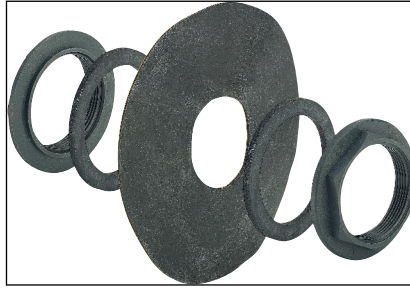


Fig. 6: Model 2235.90, mounting set front position

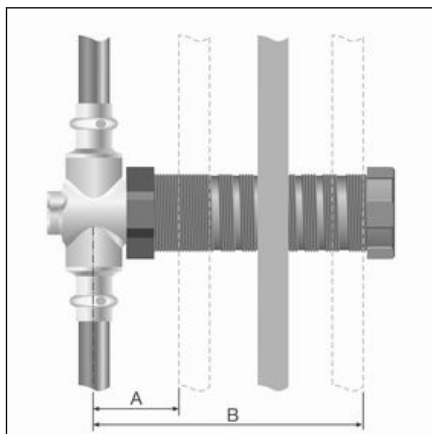


Fig. 7: Model 2235.95, mounting set rear position

3 Handling

3.1 Assembly information

3.1.1 Installation dimensions



A - at least 45 mm

B - maximum 130 mm (when using model 2236 maximum 80 mm)

3.1.2 Mounting instructions

Checking system components



Do not remove the model from the packaging until immediately before use.

System components may, in some cases, become damaged through transportation and storage.

- Check all parts.
- Replace damaged components.
- Do not repair damaged components.
- Contaminated components may not be installed.

During assembly

Observe the following when mounting:

- minimum / maximum installation depth
- use suitable tools



Choose the place of installation so that the fitting is easily accessible, simple to operate and the insulating shell can be well mounted.

Laying and fixing pipes

For information, refer to the instructions for use of the Viega system of the product you are using.

Length expansion

For information, refer to the instructions for use of the Viega system of the product you are using.

3.2 Assembly

3.2.1 Mounting the valve



Carry out a functionality test after initial mounting.

Installation is possible in masonry (wet construction) and in dry constructions (pre-wall / duct installations).

Attaching in dry constructions



Fig. 8: 2235.95 Fixing set back

- Attach the fitting from behind with the fixing set onto a Viega fitting holder with slot nuts.
- Seal the wall lead-in on the front side of the wall with the self-adhesive sealing flange.



Fig. 9: 2235.90 Fixing set front

- Attach the protective sleeve of the valve in front of and behind the cladding (e. g. sheetrock or Fermacell panels) with lock nuts.
- Seal the wall lead-in on the front side of the wall with the self-adhesive sealing flange.

Actuating the valve

- Open or close the valve with a ¼ turn.
- During the preliminary building work phases:
Actuate the valve via the protective cap.

3.2.2 Leakage test

The installer must perform a leakage test before commissioning.

Carry out this test on a system that is finished but not yet covered.

Comply with the general rules of engineering and the applicable directives, see ↗ 'Regulations from section: Leakage test' on page 7.

Document the result.

3.3 Maintenance



NOTICE!

Inform your customer or the operator of the drinking water installation that the system has to be maintained on a regular basis.

Observe the applicable regulations for the operation and maintenance of drinking water installations, see ↗ *'Regulations from section: Maintenance' on page 7.*



Viega recommends actuating the fitting regularly and checking its function.

3.4 Disposal

Separate the product and packaging materials (e. g. paper, metal, plastic or non-ferrous metals) and dispose of in accordance with valid national legal requirements.



Viega GmbH & Co. KG
service-technik@viega.de
viega.com

INT • 2022-08 • VPN180102

