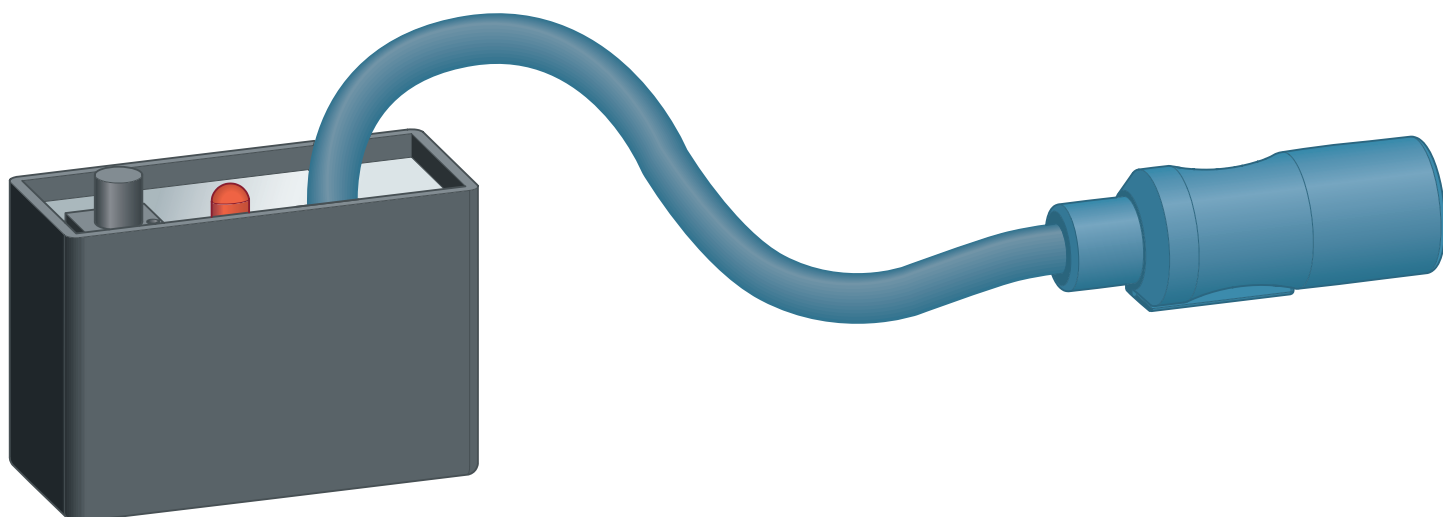


# Instructions for Use

## Radio receiver



for the reception of a flush actuation via radio signal in conjunction with HEWI support hinged handles

**Model**  
8570.58

**Year built (from)**  
04/2019

# Table of contents

<b>1</b>	<b>About these instructions for use</b>	<b>3</b>
	1.1 Target groups	3
	1.2 Labelling of notes	3
	1.3 About this translated version	4
<b>2</b>	<b>Product information</b>	<b>5</b>
	2.1 Intended use	5
	2.1.1 Areas of application	5
	2.1.2 General notes	5
	2.2 Product description	7
	2.2.1 Overview	7
	2.2.2 Connection diagram	8
	2.2.3 Operating mode	8
	2.2.4 Extensions	9
<b>3</b>	<b>Handling</b>	<b>10</b>
	3.1 Assembly	10
	3.2 Commissioning	11
	3.3 Errors, faults and remedy	12
	3.4 Disposal	12

# 1 About these instructions for use

Trade mark rights exist for this document; for further information, go to [viega.com/legal](http://viega.com/legal).

## 1.1 Target groups

The information in this instruction manual is directed at the following groups of people:

- Heating and plumbing experts and trained personnel

Individuals without the abovementioned training or qualification are not permitted to mount, install and, if required, maintain this product. This restriction does not extend to possible operating instructions.

The installation of Viega products must take place in accordance with the general rules of engineering and the Viega instructions for use.

## 1.2 Labelling of notes

Warning and advisory texts are set aside from the remainder of the text and are labelled with the relevant pictographs.



### **DANGER!**

This symbol warns of possible life-threatening injury.



### **WARNING!**

This symbol warns of possible serious injury.



### **CAUTION!**

This symbol warns of possible injury.



### **NOTICE!**

This symbol warns of possible damage to property.



This symbol gives additional information and hints.

### 1.3 About this translated version

This instruction for use contains important information about the choice of product or system, assembly and commissioning as well as intended use and, if required, maintenance measures. The information about the products, their properties and application technology are based on the current standards in Europe (e.g. EN) and/or in Germany (e.g. DIN/DVGW).

Some passages in the text may refer to technical codes in Europe/Germany. These should serve as recommendations in the absence of corresponding national regulations. The relevant national laws, standards, regulations, directives and other technical provisions take priority over the German/European directives specified in this manual: The information herein is not binding for other countries and regions; as said above, they should be understood as a recommendation.

## 2 Product information

### 2.1 Intended use

#### 2.1.1 Areas of application

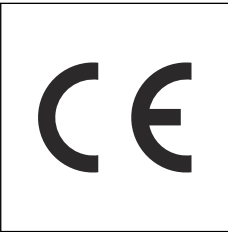

The radio receiver can be used with all electronic Prevista WC flush plates and WC remote flush actuations.


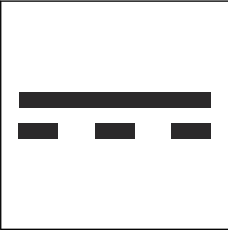
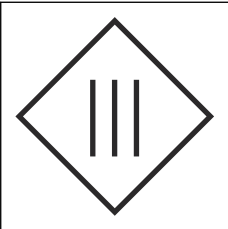
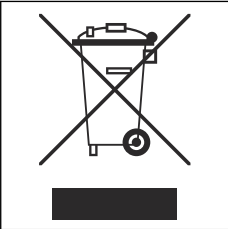
#### 2.1.2 General notes

- If you notice any damage on the product or individual components, do not carry out a repair. Instead, have the product replaced by qualified personnel.
- This appliance can be used by children aged 8 and above, and persons with impaired physical, sensory or mental capacities or with insufficient experience and expertise, provided that they use it under supervision, or have been instructed regarding the safe use of the product and the hazards posed by it.
- Make sure that children do not play with this product.

#### Symbols

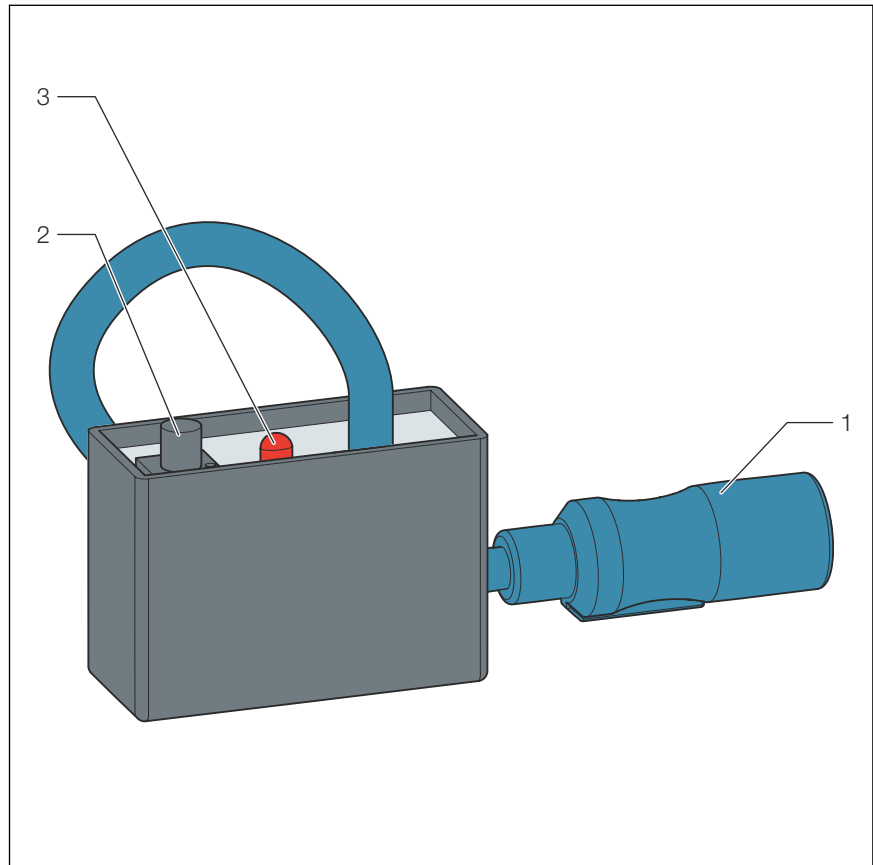
Observe the symbol listed on the label:

Symbol	Description
	CE marking, Product Safety in Europe
	EAC marking, registration of products in the territory of the Customs Union

Symbol	Description
	UKCA marking, Product Safety in Great Britain (England, Wales and Scotland)
	Direct current
	Protection class III
	The marked product must not be disposed of as household waste.

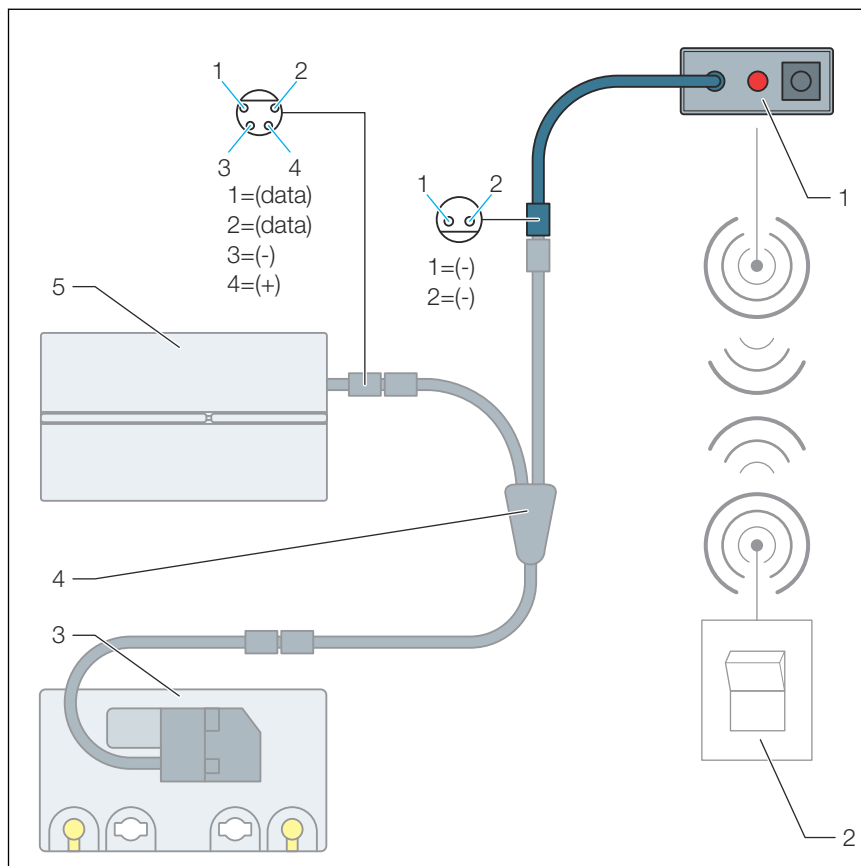
## 2.2 Product description

### 2.2.1 Overview



- 1 Connection plug
- 2 Programming button
- 3 LED

## 2.2.2 Connection diagram



**Fig. 1: Connection diagram, radio receiver, WC flush plate for Prevista**

- 1 Radio receiver
- 2 Button
- 3 Electronic drive unit
- 4 Adapter
- 5 WC flush plate for Prevista

## 2.2.3 Operating mode

Signals to actuate the flush (e. g. on support hinged handles) sent by HEWI radio transmitters can be received by the radio receiver.

Up to 32 transmitters can be connected to a radio receiver.



## 2.2.4 Extensions



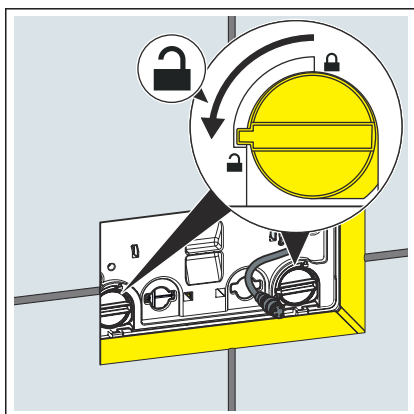
### Adapter (model 8570.57)

For connection of a radio receiver.

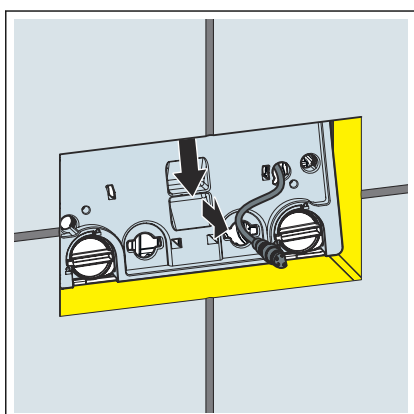
Multiple external sensors can be connected to a control at the same time using the adapter (model 8570.57). This is how e. g. a button can be combined with the radio receiver.

## 3 Handling

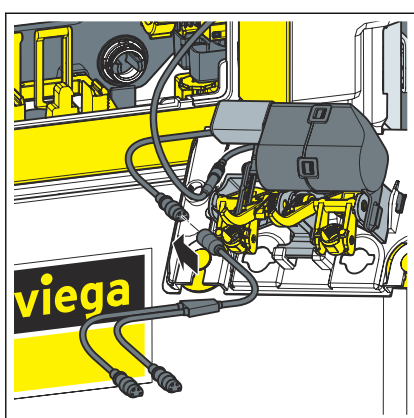
### 3.1 Assembly



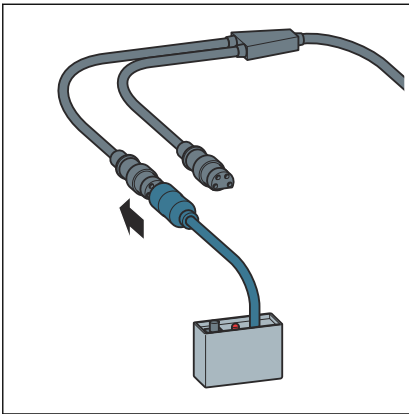
► Turn the cover plate lock 90° in anti-clockwise direction.



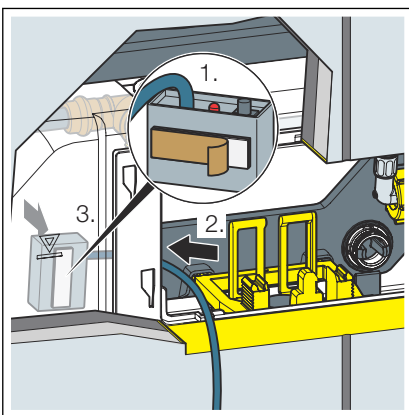
► Remove the cover plate.



► Connect the Y-cable to the flush plate.



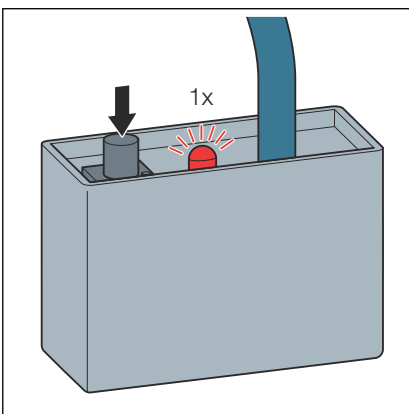
- Connect the radio receiver to the Y-cable.



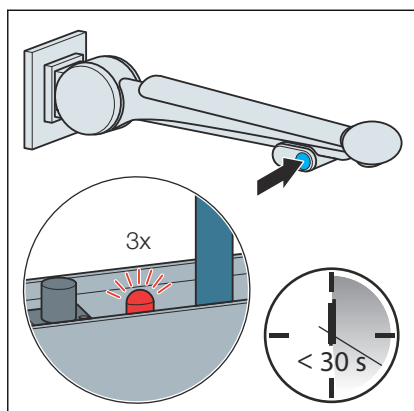
- Remove the protective foil from the adhesive strip.
- Position the radio receiver in the cistern and press firmly against the adhesive strip.

## 3.2 Commissioning

### Programming



- Press the programming button briefly.
- The LED blinks once.



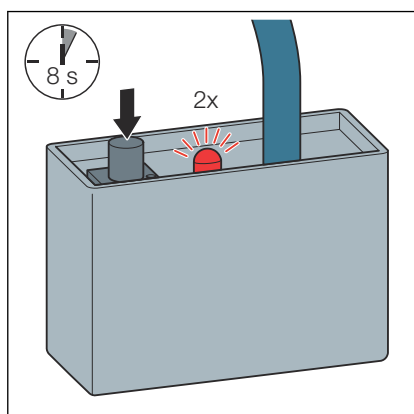
- Press the flush button of the radio transmitter to be programmed within 30 seconds.

In the case of dual volume radio transmitters, push one of the two flush buttons.

- The LED blinks three times.

- Repeat the process to program additional transmitters (maximum 32 per receiver).

### Deleting memory



- Keep the programming button pressed for approx. 8 seconds.

- The LED blinks twice.

- Release the programming button.

- The radio receiver's memory has been deleted.

## 3.3 Errors, faults and remedy



In case of malfunctions, disconnect the model from the power supply and reconnect it after one minute.

## 3.4 Disposal

Separate the product and packaging materials (e. g. paper, metal, plastic or non-ferrous metals) and dispose of in accordance with valid national legal requirements.



**Viega GmbH & Co. KG**  
service-technik@viega.de  
viega.com

INT • 2023-01 • VPN220437

