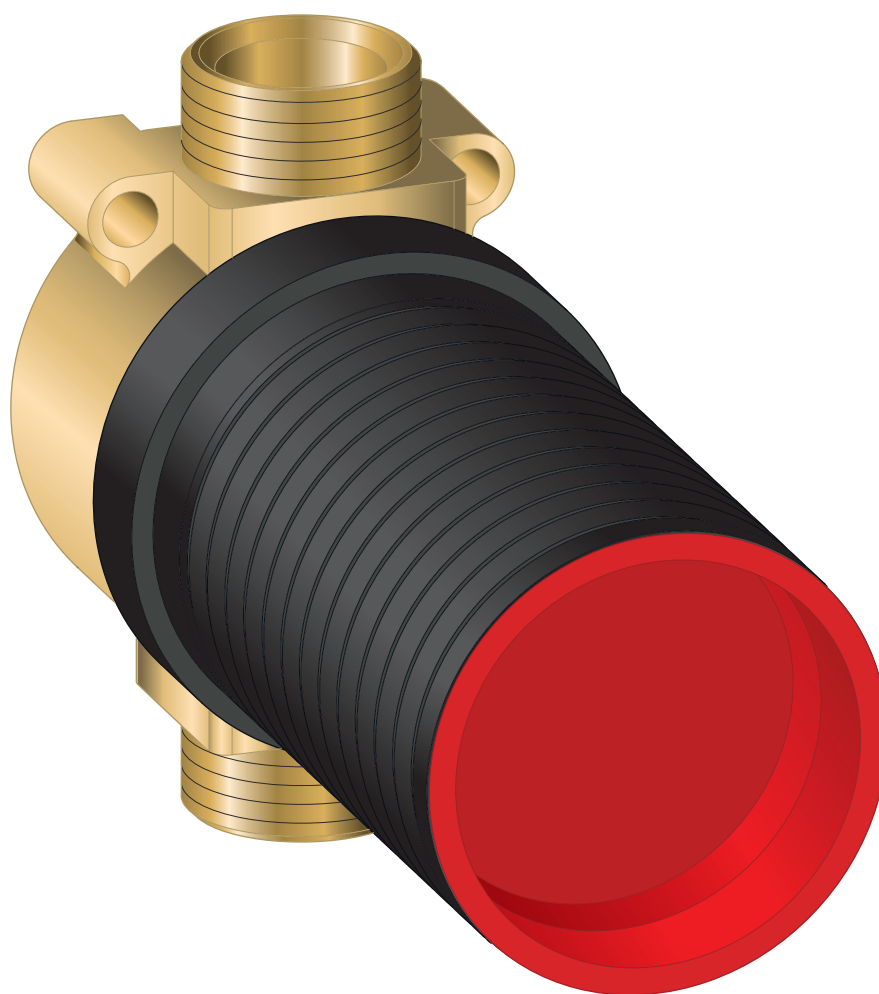


Instructions for Use

Concealed pipe interrupter



for Multiplex Trio, Rotaplex Trio

Model
6161.81

Year built (from)
02/1998

viega

Table of contents

1	About these instructions for use	3
	1.1 Target groups	3
	1.2 Labelling of notes	3
	1.3 About this translated version	4
2	Product information	5
	2.1 Standards and regulations	5
	2.2 Intended use	5
	2.2.1 Areas of application	5
	2.3 Product description	6
	2.3.1 Overview	6
	2.3.2 Potable water connection	6
	2.3.3 Technical data	7
	2.4 Required accessories	7
3	Handling	10
	3.1 Assembly information	10
	3.1.1 Mounting conditions	10
	3.1.2 Installation dimensions	10
	3.1.3 Required tools and materials	10
	3.2 Assembly	11
	3.2.1 Mounting the pipe interrupter	11
	3.2.2 Connecting the tub inlet	15
	3.2.3 Leakage test	15
	3.3 Cleaning and maintenance	15
	3.4 Disposal	18

1 About these instructions for use

1.1 Target groups

The information in this instruction manual is directed at the following groups of people:

- Heating and plumbing experts and trained personnel
- Operators
- Consumers

Individuals without the abovementioned training or qualification are not permitted to mount, install and, if required, maintain this product. This restriction does not extend to possible operating instructions.

The installation of Viega products must take place in accordance with the general rules of engineering and the Viega instructions for use.

1.2 Labelling of notes

Warning and advisory texts are set aside from the remainder of the text and are labelled with the relevant pictographs.



DANGER!

This symbol warns of possible life-threatening injury.



WARNING!

This symbol warns of possible serious injury.



CAUTION!

This symbol warns of possible injury.



NOTICE!

This symbol warns of possible damage to property.



This symbol gives additional information and hints.

1.3 About this translated version

This instruction for use contains important information about the choice of product or system, assembly and commissioning as well as intended use and, if required, maintenance measures. The information about the products, their properties and application technology are based on the current standards in Europe (e.g. EN) and/or in Germany (e.g. DIN/DVGW).

Some passages in the text may refer to technical codes in Europe/Germany. These should serve as recommendations in the absence of corresponding national regulations. The relevant national laws, standards, regulations, directives and other technical provisions take priority over the German/European directives specified in this manual: The information herein is not binding for other countries and regions; as said above, they should be understood as a recommendation.

2 Product information

2.1 Standards and regulations

The following standards and regulations apply to Germany / Europe and are provided as a support feature.

Regulations from section: Potable water protection

Scope / Notice	Regulations applicable in Germany
Provided that the installation was carried out in compliance with the instructions in section ↪ <i>Chapter 2.3.2 'Potable water connection' on page 6</i> , the concealed pipe interrupter meets the requirements defined in the standards.	EN 1717

2.2 Intended use

2.2.1 Areas of application

The concealed pipe interrupter model (6161.81) is suitable for Multiplex Trio drain and overflow fittings and Rotaplex Trio drain and overflow fittings.

A suitable rosette Visign RU2 (model 6161.89) is not included in the scope of delivery and must be purchased separately.

The concealed pipe interrupter must be connected to pipes and lines suitable for potable water. 3/4 inch adapters are suitable for connection; Viega plug-in seat connection screw fittings are also compatible (e.g. Viega plug-in seat Sanfix P connection screw fitting model 2119 or Raxofix connection screw fitting model 5329). Euro cone connection screw fittings are not compatible.

2.3 Product description

2.3.1 Overview

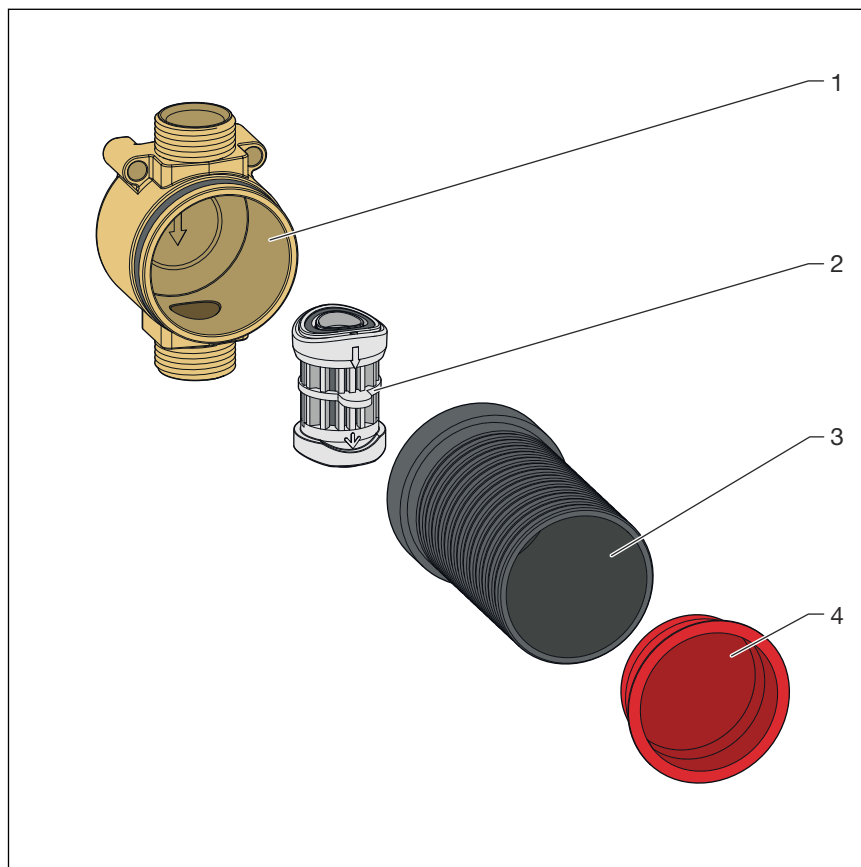


Fig. 1: Components

- 1 Concealed pipe interrupter casing
- 2 Insert with membrane and sealing elements, pre-assembled in the pipe interrupter casing
- 3 Top stem (serves as outlet pipe in front of the wall), pre-assembled
- 4 Protective plugs in the top stem, pre-assembled

2.3.2 Potable water connection

To prevent the intrusion of non-potable water into the potable water pipelines, concealed pipe interrupters are installed between the mixer tap and an inlet. The concealed pipe interrupters can be used as a safeguarding device if the following points are ensured during installation:

- The direction of flow runs from diagonally downward to vertically downwards. Pipelines are not allowed to rise downstream from the pipe interrupter.
- The pipe interrupter must be installed at least 150 mm above the highest possible non-potable water level.
- There must not be any shut-off downstream from the pipe interrupter.

- The pipe interrupter must not be involved in the pressure test with an installed membrane, the membrane is destroyed during a pressure test and the pipe interrupter cannot perform its function. If a pressure test is required, the insert with the membrane must be exchanged for a connecting piece (model 6161.83).
- Pipe interrupters may only be used with compatible components.

For the applicable directives, see ↗ *'Regulations from section: Potable water protection'* on page 5.

2.3.3 Technical data

Dimensions	↗ Chapter 3.1.2 <i>'Installation dimensions'</i> on page 10
Thread size	3/4 inch

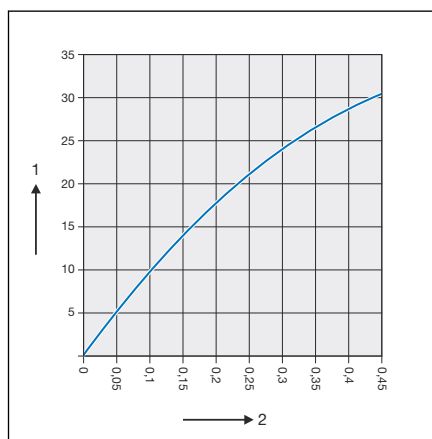


Fig. 2: Flowthrough diagram

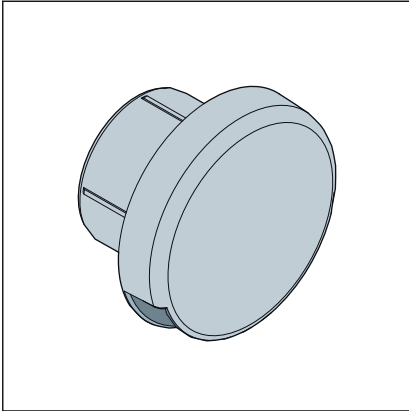
- 1 - Flow (litres per minute)
- 2 - Flow pressure (Δp / MPa)

2.4 Required accessories

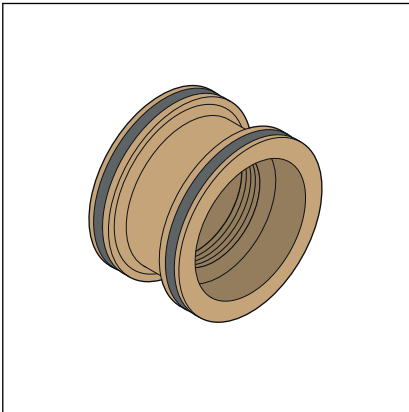
Rosette

The rosette must be purchased separately and fitted on the top stem to complete the mounting of the pipe interrupter.

The rosette Visign RU2 (model 6161.89) is suitable for the top stem of the concealed pipe interrupter.



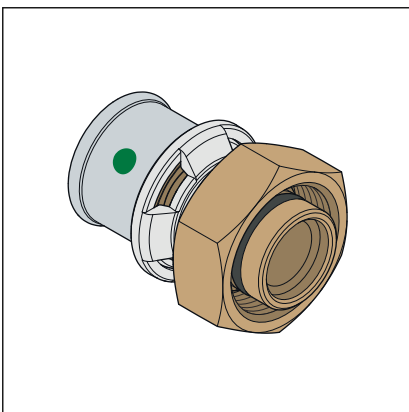
Accessories for a pressure test



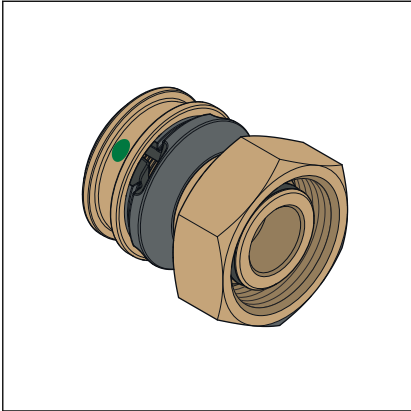
If a pressure test is required, the insert with the membrane must be exchanged for the connecting piece shown here (model 6161.83).

Mounting material and connection screw fittings

Two screws are required for the fixing of the concealed pipe interrupter. 3/4 inch adapters are suitable for connecting the concealed pipe interrupter to pipes; Viega plug-in seat connection screw fittings are also compatible. Euro cone connections are not compatible.



The plug-in seat connection Sanfix P (model 2119) is suitable for the concealed pipe interrupter.



The plug-in seat connection Raxofix (model 5329) is suitable for the concealed pipe interrupter.

3 Handling

3.1 Assembly information

3.1.1 Mounting conditions

The following requirements exist for the mounting of a pipe interrupter:

- The pipe and line, in which the pipe interrupter is installed, are suitable for the supply of potable water.
- The tub fitting has been installed and the connection lines are accessible.

3.1.2 Installation dimensions

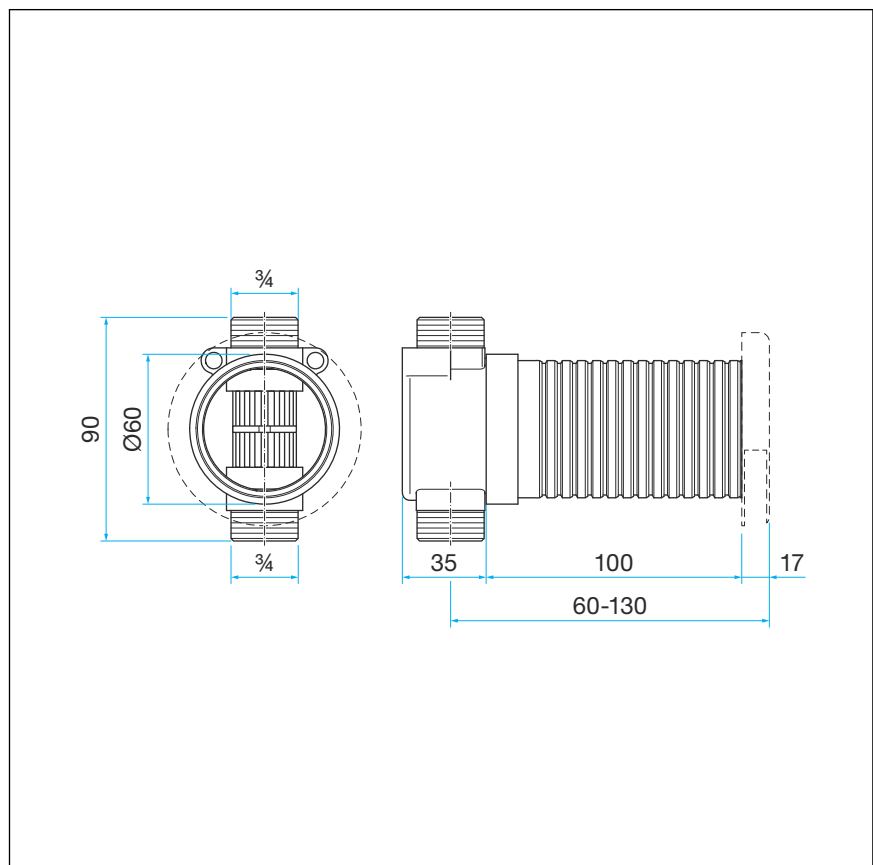


Fig. 3: Dimensional drawing

3.1.3 Required tools and materials

Tool

- fine-toothed saw
- water pump pliers

Material

The following material must be available during mounting:

- Concealed pipe interrupter
- if applicable, fixing material and connection screw fittings ↪ *Chapter 2.4 'Required accessories' on page 7*
- rosette ↪ *Chapter 2.4 'Required accessories' on page 7*

3.2 Assembly

3.2.1 Mounting the pipe interrupter

Preparations

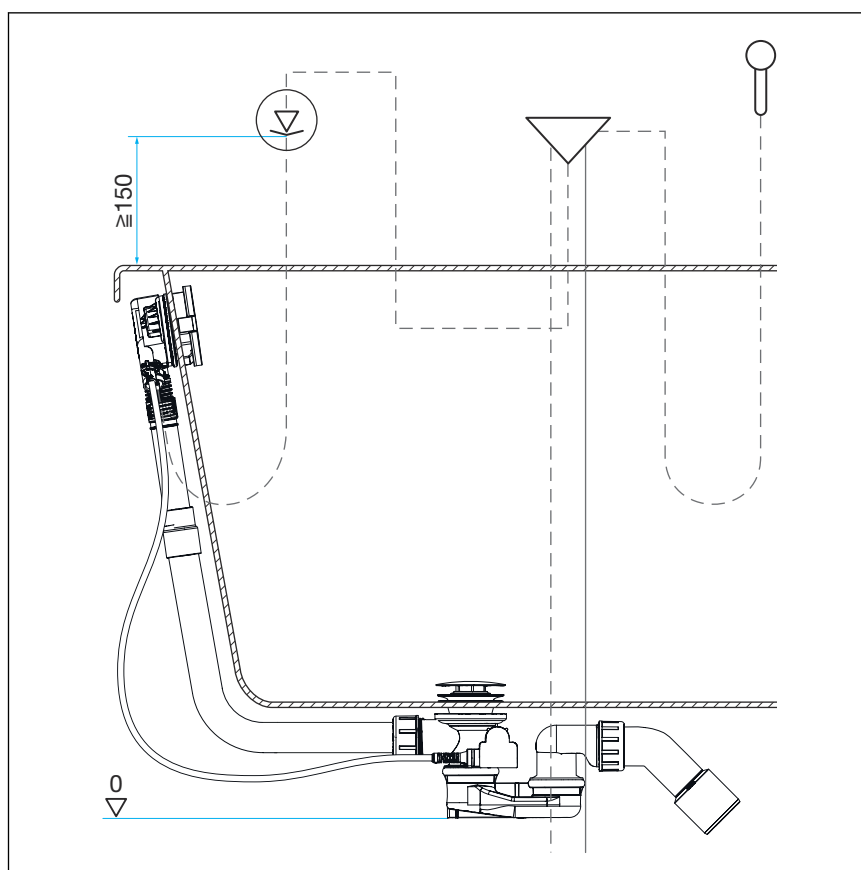
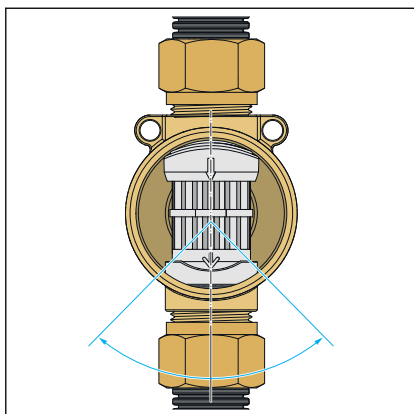


Fig. 4: Minimum installation height 150 mm

- Ensure that the pipe interrupter is mounted at least 150 mm above the highest possible non-potable water level.

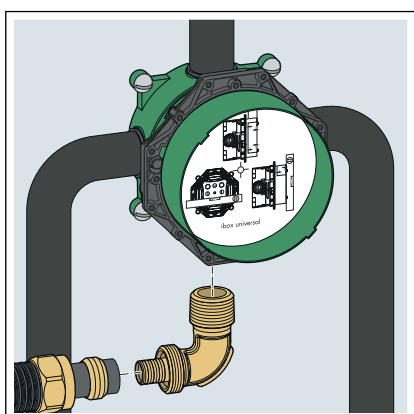


- Note that the flow direction must run from diagonal to vertical downwards.
- Make sure that the line does not continue to rise downstream from the pipe interrupter.
- Make sure that you have the required accessories (rosette, connection sets) to be able to carry out the mounting completely.
- Make sure that the protective plug is still on the top stem during assembly.

Connecting the water inlet

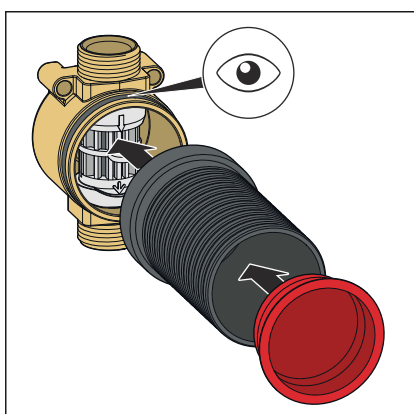
Depending on the type of installation, the connection of the mixing tap and the pipe interrupter can be made with metal pipes and a press connection or with plastic pipes.

Connection example with Viega connection set (model 6161.86)



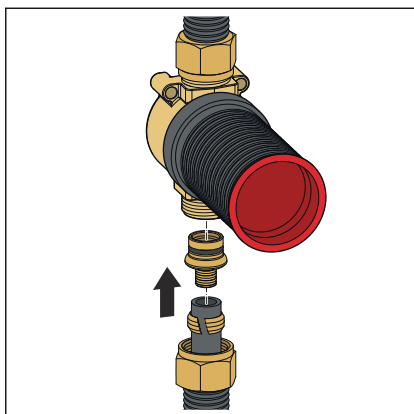
- Seal the adapter elbow and twist it into the connection of the mixer tap.
- Push the union nut and the clamping ring onto the water carrying pipe.
- Push the pipe onto the support body of the adapter elbow as far as it will go and screw it together with the union nut.

Connecting and tiling



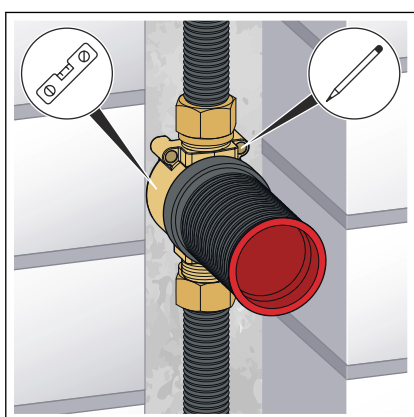
- Install the top stem.
- Ensure that the sealing element is correctly in place.
- Insert the protective plug.

NOTICE! To ensure the proper functioning of the pipe interrupter, the protective plug must be removed before commissioning.



- Push the union nut and the clamping ring onto the water carrying pipe.
- Push the narrow end of the screw fitting into the pipe as far as it will go.
- Push the free end of the screw fitting into the connection of the pipe interrupter.
- Screw the connection together.

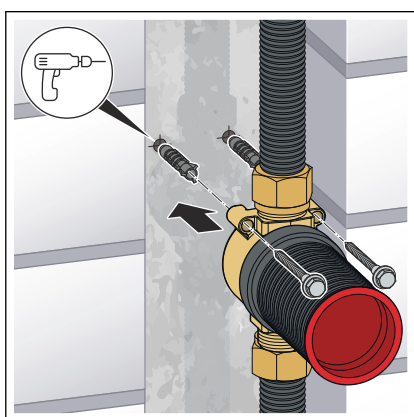
INFO! Euro cone connections are not compatible.



- Adjust the pipe interrupter.

NOTICE! Pay attention to the correct flow direction (direction of arrow, from top to bottom).

- Mark the drill holes.
- Drill the holes.

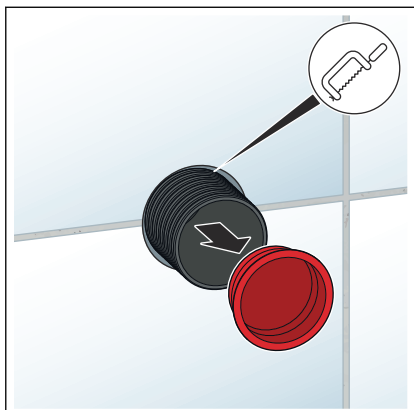


- Screw the pipe interrupter tight with two screws (SW 4.5 up to 5).
- Grout the pipe interrupter and the connection lines.



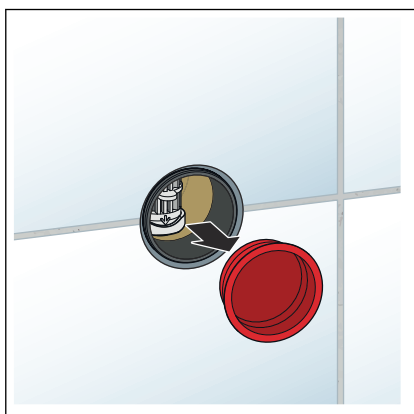
- Integrate the pipe interrupter with mounted sealing collar into the bonded sealing.
- Then tile the wall.

If the shaft top is too long:

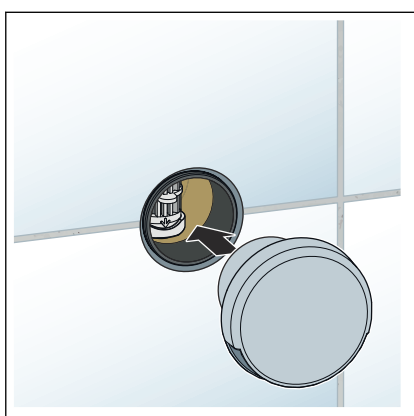


- Remove the protective plugs.
- Shorten the shaft top with a fine-toothed saw. Take care to shorten to the proper length. The shaft top must be flush with the height of the tiles.
- If impurities have managed to enter the shaft top during the work, the clean the shaft top.

If the shaft top has not been shortened and it is ensured that no more contamination can enter the shaft top:

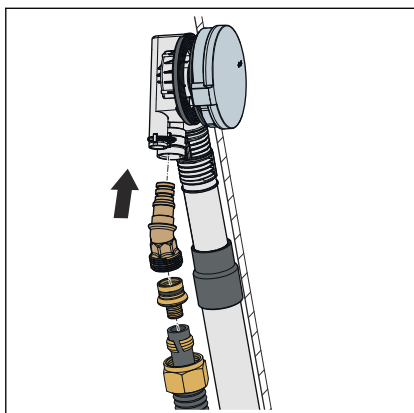


- Remove the protective plug.



- Hold the rosette with the open side facing downwards.
- Mount the rosette on the shaft top.

3.2.2 Connecting the tub inlet



To connect the bathtub inlet:

- Push the union nut and the clamping ring onto the water carrying pipe.
- Push the narrow end of the screw fitting into the pipe as far as it will go.
- Push the free end of the screw fitting into the connection elbow.
- Use the union nut to screw the pipe tight at the connection elbow.

INFO! Euro cone connections are not compatible.

- Insert the connection elbow into the overflow unit. The connection elbow must latch into the overflow unit with a noticeable clicking sound.

3.2.3 Leakage test

If a pressure test is required, the insert with the membrane must be exchanged for a connecting piece, model 6161.83. The pressure test should be carried out before connecting the drain set.

- Check for visible leaks.

3.3 Cleaning and maintenance

Cleaning or replacing the insert and membrane



NOTICE!

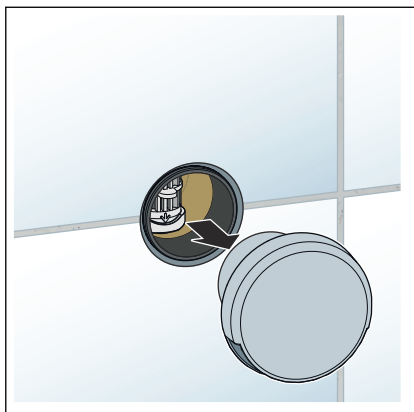
Product damage due incorrect maintenance

Limescale deposits can destroy or be detrimental to the functioning of the membrane in the pipe interrupter insert and must therefore be removed. If the insert and the membrane in the pipe interrupter are either not or incorrectly cleaned, then the product's functionality may be restricted or destroyed. Non-potable water can contaminate the potable water.

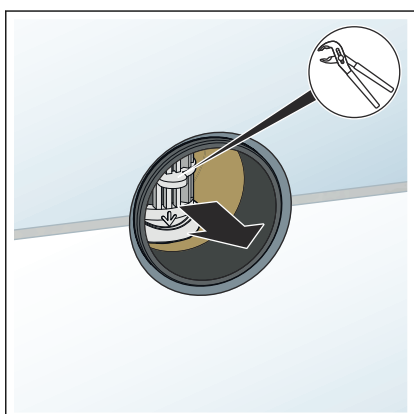
To ensure the constant functionality of the pipe interrupter:

- The limescale deposits must be removed regularly by qualified personnel.
- In the case of extensive limescale deposits, have the insert and the membrane replaced by trade professionals.

Removal for cleaning

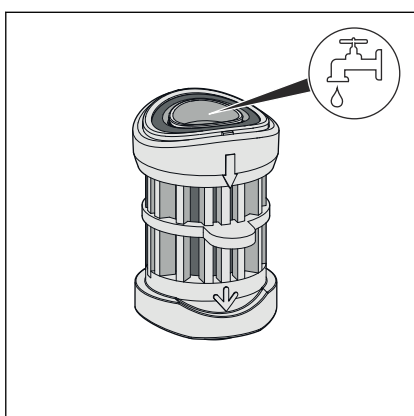


► Remove rosette.



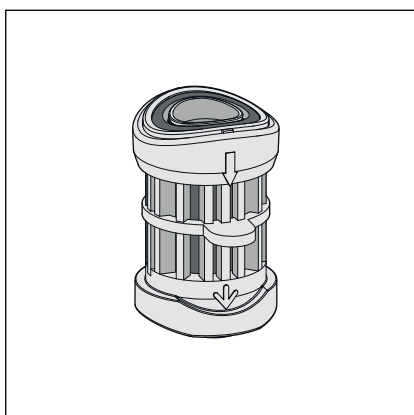
► Grip and pull the insert out of the casing using multigrip pliers horizontally.

Small amount of limescale and contamination



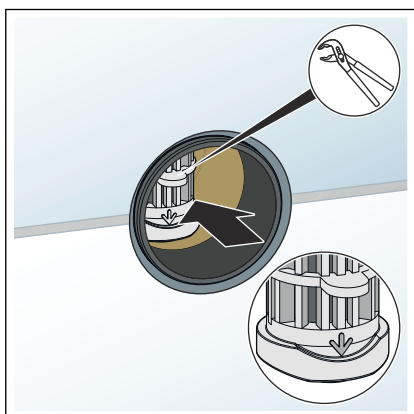
► Carefully rinse the insert.

Large amount of limescale and contamination



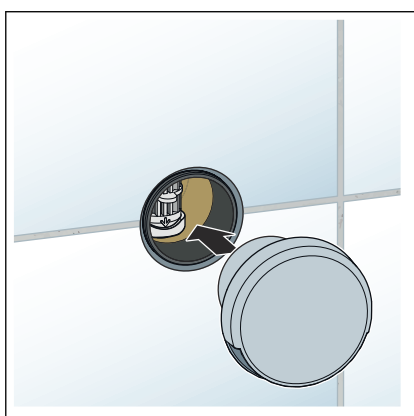
- Use a new insert (model 6161.82).

Installation after cleaning



- Hold the cleaned or new insert with multigrip pliers and insert into the casing of the pipe interrupter from the front.

NOTICE! Pay attention to the correct flow direction (direction of arrow, from top to bottom).



- Re-mount the rosette.

Cleaning the rosette

The rosette can be cleaned by every user, if necessary. The rosette may only be cleaned using mild cleaning agents containing soap and a soft cloth.

Scouring milk and cleaning agents or disinfectants containing the following ingredients may not be used:

- alcohol
- Ammoniac
- hydrochloric acid

- phosphoric acid
- acetic acid

3.4 Disposal

Separate the product and packaging materials (e. g. paper, metal, plastic or non-ferrous metals) and dispose of in accordance with valid national legal requirements.



Viega GmbH & Co. KG
service-technik@viega.de
viega.com

INT • 2023-03 • VP210698

