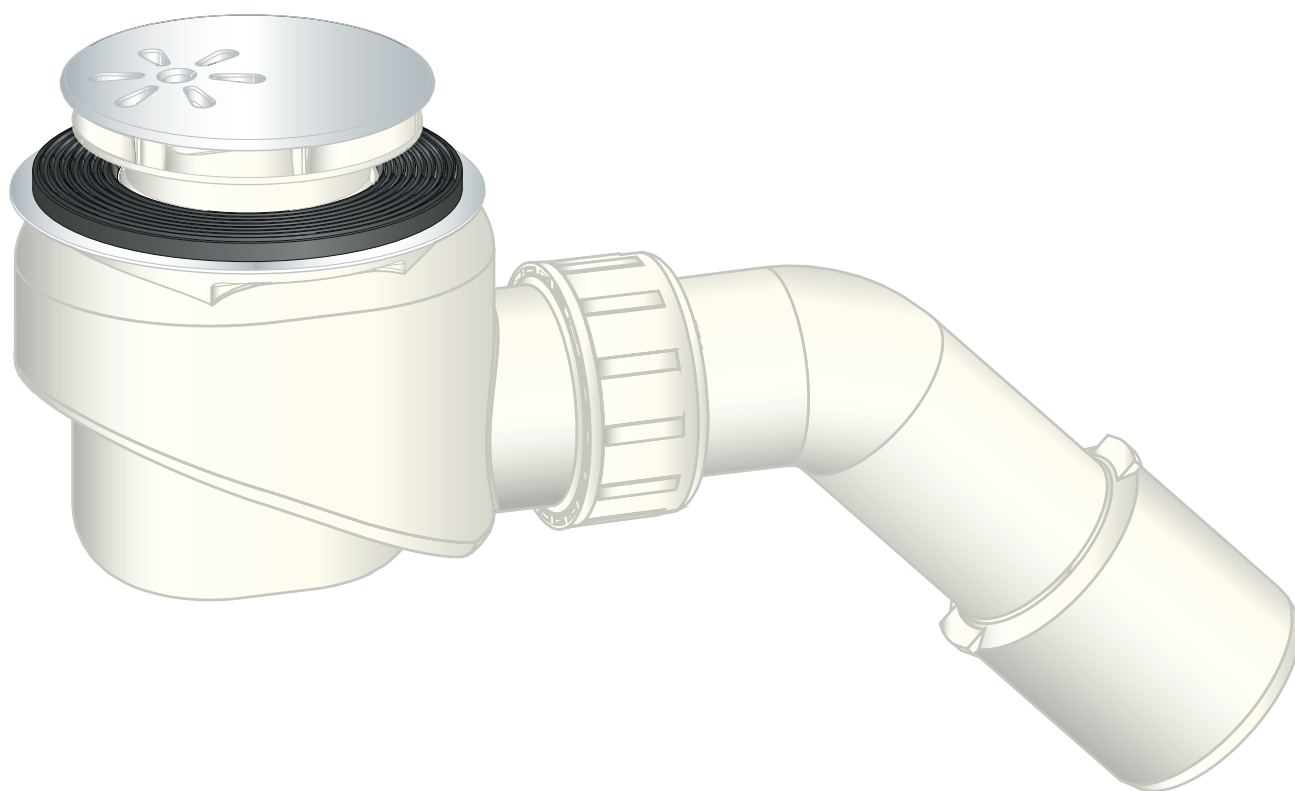


Instructions for Use

Domoplex drain



Model
6928EX

viega

Table of contents

1	About these instructions for use	3
	1.1 Target groups	3
	1.2 Labelling of notes	3
	1.3 About this translated version	4
2	Product information	5
	2.1 Intended use	5
	2.1.1 Areas of application	5
	2.2 Product description	6
	2.2.1 Overview	6
	2.2.2 Technical data	7
3	Handling	8
	3.1 Assembly information	8
	3.1.1 Mounting conditions	8
	3.1.2 Installation dimensions	8
	3.2 Assembly	8
	3.2.1 Mounting the drain	8
	3.2.2 Leakage test	10
	3.3 Care	11
	3.4 Cleaning the drain	11
	3.5 Disposal	13

1 About these instructions for use

Trade mark rights exist for this document; for further information, go to viega.com/legal.

1.1 Target groups

The information in this instruction manual is directed at the following groups of people:

- Heating and plumbing experts and trained personnel
- Operators
- Consumers

Individuals without the abovementioned training or qualification are not permitted to mount, install and, if required, maintain this product. This restriction does not extend to possible operating instructions.

The installation of Viega products must take place in accordance with the general rules of engineering and the Viega instructions for use.

1.2 Labelling of notes

Warning and advisory texts are set aside from the remainder of the text and are labelled with the relevant pictographs.



DANGER!

This symbol warns of possible life-threatening injury.



WARNING!

This symbol warns of possible serious injury.



CAUTION!

This symbol warns of possible injury.



NOTICE!

This symbol warns of possible damage to property.



This symbol gives additional information and hints.

1.3 About this translated version

This instruction for use contains important information about the choice of product or system, assembly and commissioning as well as intended use and, if required, maintenance measures. The information about the products, their properties and application technology are based on the current standards in Europe (e.g. EN) and/or in Germany (e.g. DIN/DVGW).

Some passages in the text may refer to technical codes in Europe/Germany. These should serve as recommendations in the absence of corresponding national regulations. The relevant national laws, standards, regulations, directives and other technical provisions take priority over the German/European directives specified in this manual: The information herein is not binding for other countries and regions; as said above, they should be understood as a recommendation.

2 Product information

2.1 Intended use

2.1.1 Areas of application



NOTICE!

Risk of damage due to unsuitable liquids

To avoid damaging the drain, only introduce the following liquids:

- Typical household wastewater with temperatures up to 95 °C
- The pH value must be higher than 4 but lower than 10.

The Domoplex drain is a drain with odour trap for shower trays with a 52 mm drain hole.

Detailed information regarding all shower tray models and the corresponding Viega drains can be found in the catalogue or on the Internet.

2.2 Product description

2.2.1 Overview

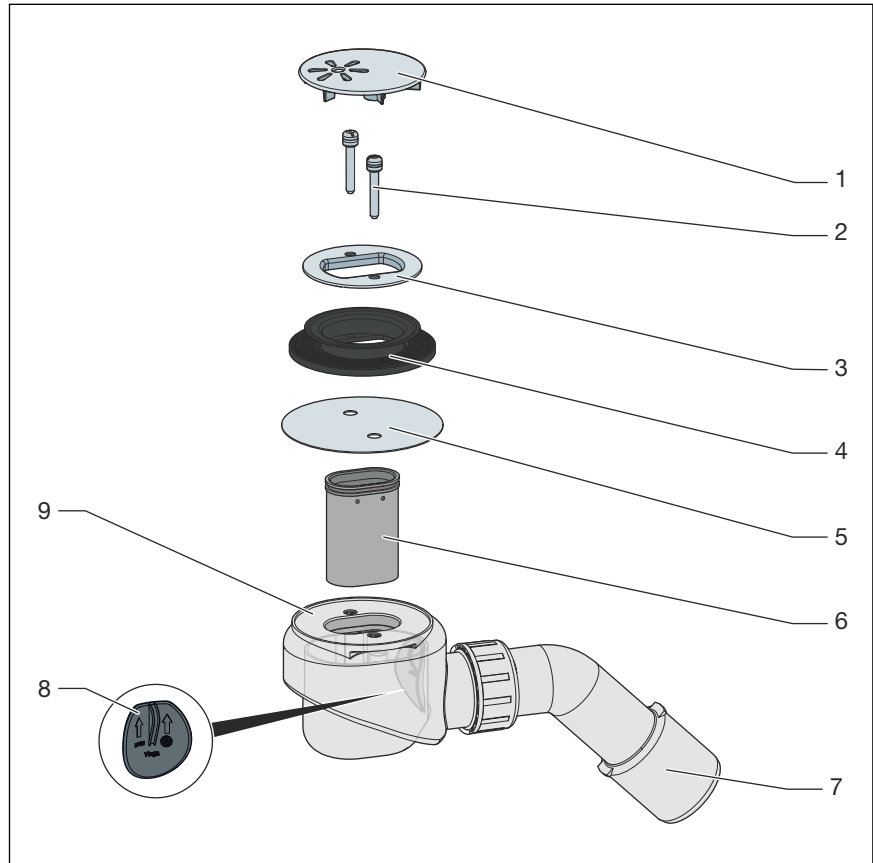


Fig. 1: Components

- 1 Cover plate
- 2 Screws
- 3 Fixing flange
- 4 Seal
- 5 Site protection
- 6 Immersion pipe
- 7 Waste elbow
- 8 Plug
- 9 Odour trap

2.2.2 Technical data

Drainage capacity at an accumulation height of 120 mm	0.73 l/s
Diameter of drain hole	52 mm
DN (nominal diameter) outlet pipe	40/50 mm
Height	80 mm
Dimensions and installation depth	↳ Chapter 3.1.2 'Installation dimensions' on page 8
Water seal level	50 mm

3 Handling

3.1 Assembly information

3.1.1 Mounting conditions

The following requirements exist for the mounting of the drain:

- The shower tray is installed.
- The drain pipeline is installed all the way to the shower tray.
- The underside of the shower tray is accessible.
- The drainage capacity is sufficient at an accumulation height of 120 mm.

3.1.2 Installation dimensions

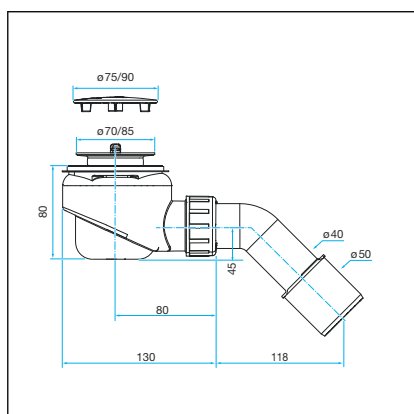
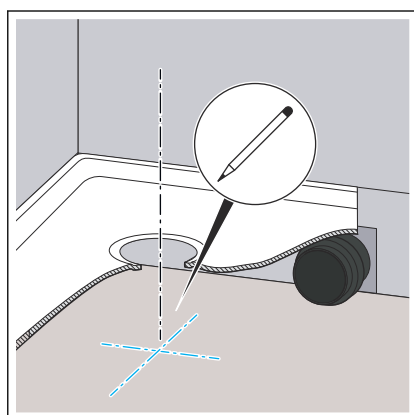


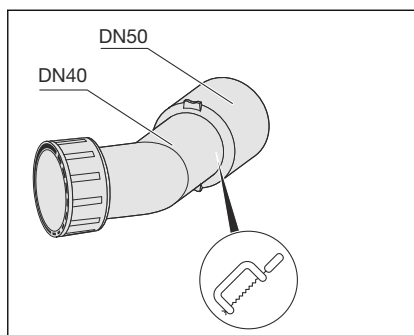
Fig. 2: Dimensional drawing

3.2 Assembly

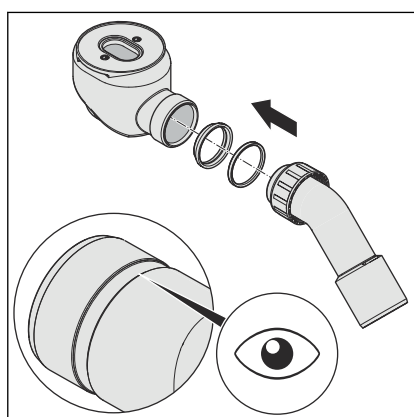
3.2.1 Mounting the drain



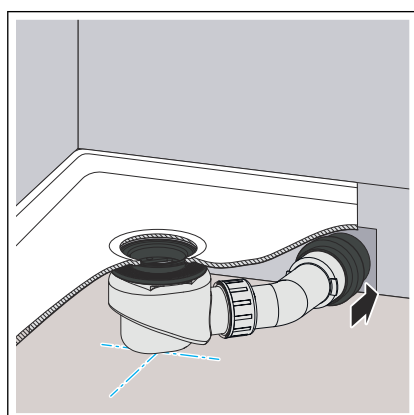
- Position the shower tray and mark the drain hole.



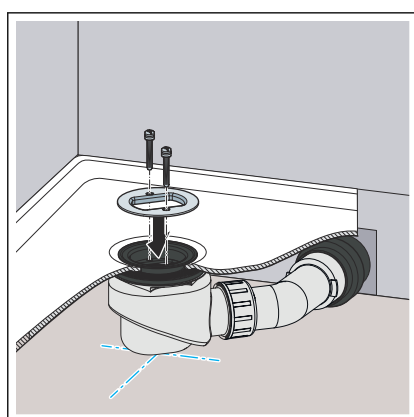
- ▶ Saw off the waste elbow if required.



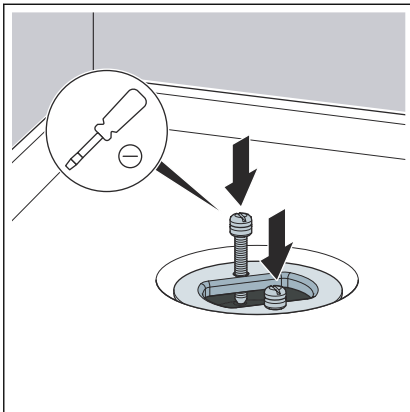
- ▶ Push the union nut, sliding ring and seal onto the waste elbow and screw together. Pay attention to the groove.



- ▶ Align the drain in such a way that the waste elbow can be connected to the wastewater pipe.
- ▶ Connect the waste elbow to the wastewater pipe.
- ▶ Place the seal on the sealing surface of the drain and push into the holding groove.

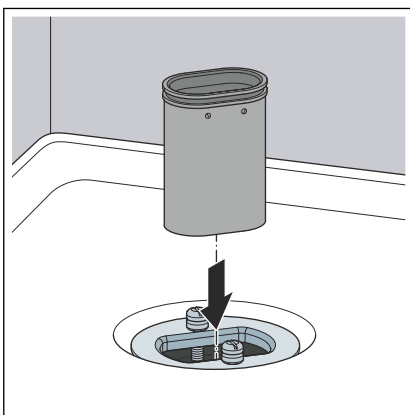


- ▶ Position the drain with seal under the shower tray.
- ▶ Push the upper part of the seal through the shower tray.
- ▶ Mount the fixing flange.
- ▶ Insert the screws by hand.

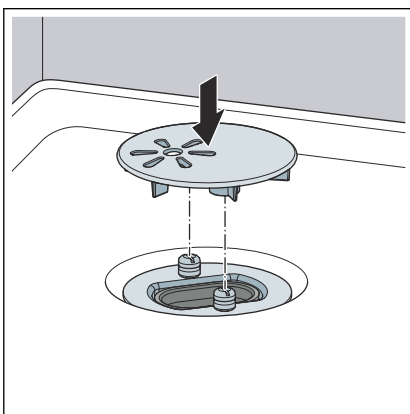


NOTICE! Only use a screwdriver, not a cordless screwdriver.

► Tighten the screws evenly.



► Insert the immersion pipe.



► Press the cover plate onto the two fixing points.

3.2.2 Leakage test

The leakage test is only carried out as a visual inspection.

► Check for visible leaks.

3.3 Care



NOTICE! Risk of damage due to unsuitable cleaning agent!

The following cleaning agents can damage chrome-plated surfaces and therefore may not be used:

- Scouring agent
- Abrasive sponges
- Lime, plaster or cement dissolver
- Solvents or other acidic cleaning agents

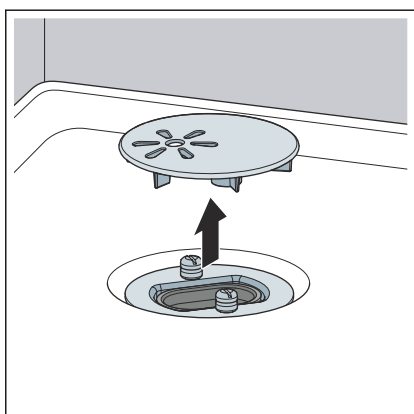
- Normal soap or a mild cleaning agent can be used for regular maintenance and prevention of lime scale.
- Strong stains can be removed using typical household cleaner. Rinse the detergent thoroughly with clear water after the prescribed exposure time.
- Dry the surfaces with a soft cloth. There should be no residue on the components.

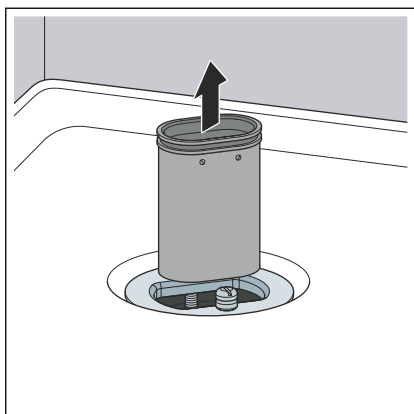
3.4 Cleaning the drain



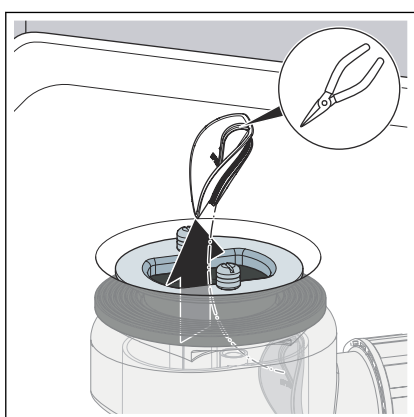
NOTICE! Be careful not to damage the odour trap when cleaning the drain.

- Remove the cover plate.

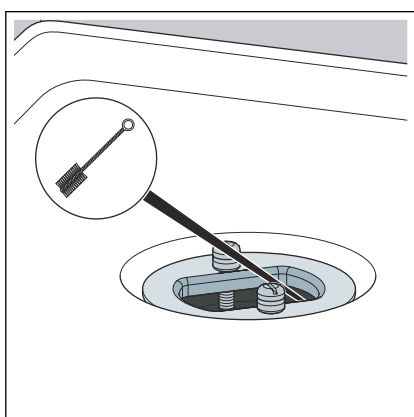




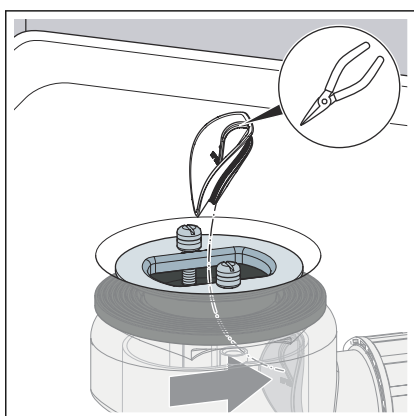
► Remove the immersion pipe upwards.



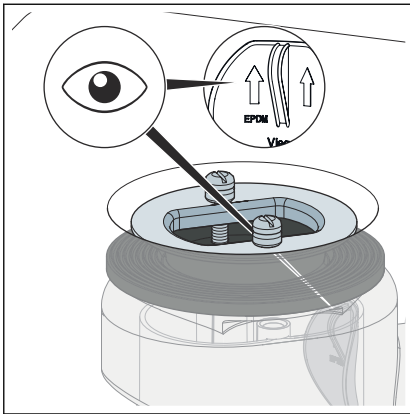
► For free access to the drain pipe:
Grip the plug on the lug with pliers and pull off.



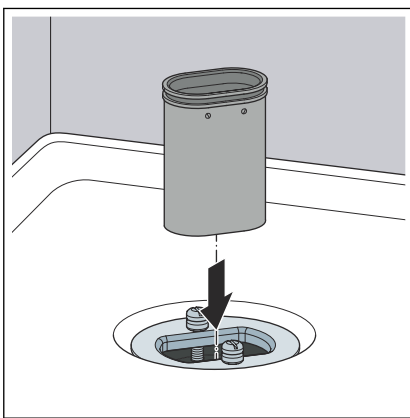
► Clean the drain carefully to avoid damaging the fitting.



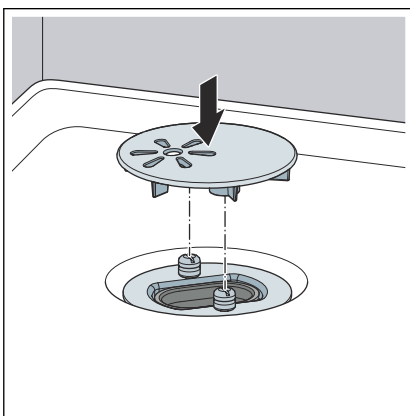
► Insert the plug flush with the surface.



- Ensure the plug is correctly positioned. The lug must be positioned vertically.



- Insert the immersion pipe.



- Put on the cover plate.

3.5 Disposal

Separate the product and packaging materials (e. g. paper, metal, plastic or non-ferrous metals) and dispose of in accordance with valid national legal requirements.



Viega GmbH & Co. KG
service-technik@viega.de
viega.com

INT • 2023-03 • VPN220388

