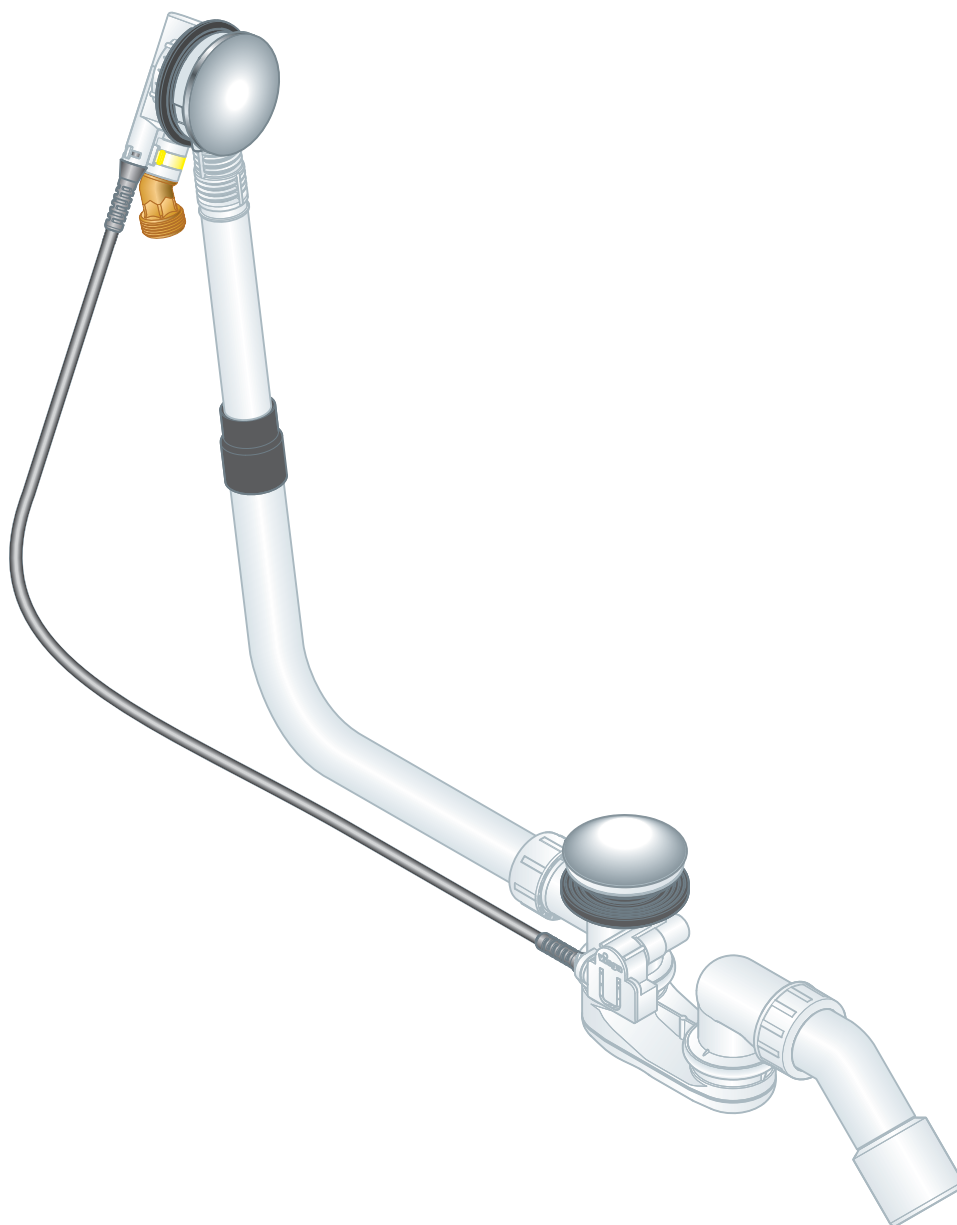


Instructions for Use

Multiplex Trio drain and overflow functional unit Visign MT5



for water inlet through the overflow unit

Model
6161.60

Year built (from)
01/2015

viega

Table of contents

1	About these instructions for use	3
	1.1 Target groups	3
	1.2 Labelling of notes	3
	1.3 About this translated version	4
2	Product information	5
	2.1 Intended use	5
	2.1.1 Areas of use	5
	2.2 Product description	6
	2.2.1 Overview	6
	2.2.2 Technical data	7
	2.3 Accessories	7
3	Handling	9
	3.1 Assembly information	9
	3.1.1 Mounting conditions	9
	3.1.2 Installation dimensions	10
	3.1.3 Required tools and materials	10
	3.2 Assembly	12
	3.2.1 Mounting the overflow	12
	3.2.2 Mounting the drain	14
	3.2.3 Connecting the overflow and drain	15
	3.2.4 Connecting the wastewater system	16
	3.2.5 Connecting the inlet	16
	3.2.6 Mounting the equipment set	18
	3.2.7 Leakage test	18
	3.2.8 Removing the rotatable rosette	18
	3.3 Use	20
	3.4 Care	21
	3.5 Disposal	21

1 About these instructions for use

Trade mark rights exist for this document; for further information, go to viega.com/legal.

1.1 Target groups

The information in this instruction manual is directed at the following groups of people:

- Heating and sanitary professionals and trained personnel
- Operators
- Consumers

Individuals without the abovementioned training or qualification are not permitted to mount, install and, if required, maintain this product. This restriction does not extend to possible operating instructions.

The installation of Viega products must take place in accordance with the general rules of engineering and the Viega instructions for use.

1.2 Labelling of notes

Warning and advisory texts are set aside from the remainder of the text and are labelled with the relevant pictographs.



DANGER!

This symbol warns of possible life-threatening injury.



WARNING!

This symbol warns of possible serious injury.



CAUTION!

This symbol warns of possible injury.



NOTICE!

This symbol warns of possible damage to property.



This symbol gives additional information and hints.

1.3 About this translated version

This instruction for use contains important information about the choice of product or system, assembly and commissioning as well as intended use and, if required, maintenance measures. The information about the products, their properties and application technology are based on the current standards in Europe (e.g. EN) and/or in Germany (e.g. DIN/DVGW).

Some passages in the text may refer to technical codes in Europe/Germany. These should serve as recommendations in the absence of corresponding national regulations. The relevant national laws, standards, regulations, directives and other technical provisions take priority over the German/European directives specified in this manual: The information herein is not binding for other countries and regions; as said above, they should be understood as a recommendation.

2 Product information

2.1 Intended use

2.1.1 Areas of use



NOTICE!

Risk of damage due to unsuitable liquids

To avoid damaging the drain, only introduce the following liquids:

- Typical household wastewater with temperatures up to 95 °C
- The pH value must be higher than 4 but lower than 10.

The Multiplex Trio drain/overflow is a combined inlet, drain and overflow with odour trap for bathtubs with a 52 mm drain hole. The inlet flows through the overflow opening.

The drain/overflow is suitable for bathtubs with a middle connection.

Detailed information regarding all bathtub models and the corresponding Viega drains/overflows can be found in the catalogue or on the Internet.

2.2 Product description

2.2.1 Overview

The following components are included in the scope of delivery of the Multiplex Trio drain / overflow:

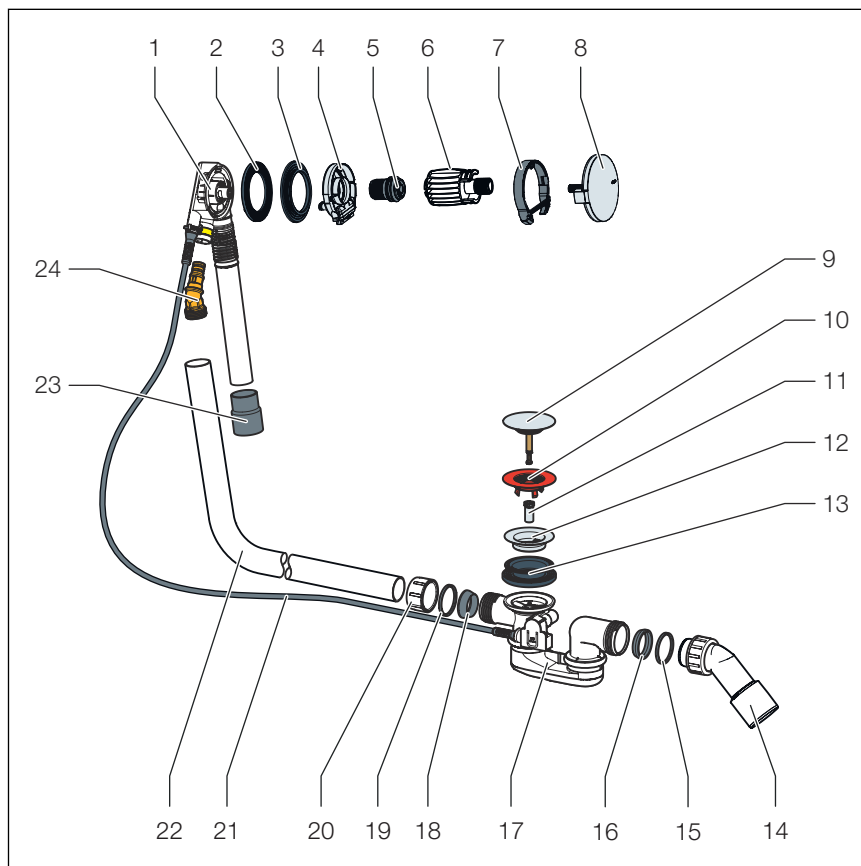


Fig. 1: Component overview

- 1 Overflow unit
- 2 Profile seal
- 3 Additional seal (for steel bathtubs)
- 4 Supply flange
- 5 Fixing screw
- 6 Mounting aid
- 7 Flange cover
- 8 Rotatable rosette
- 9 Valve cone
- 10 Site protection
- 11 Fixing screw
- 12 Valve top
- 13 Double seal
- 14 Drain elbow
- 15 Sliding ring
- 16 Seal
- 17 Odour trap
- 18 Seal
- 19 Sliding ring
- 20 Union nut
- 21 Bowden cable

- 22 Overflow pipe
- 23 Sleeve
- 24 Connecting piece

2.2.2 Technical data

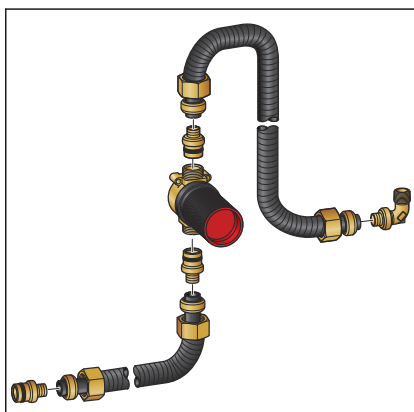
Drainage capacity (at an accumulation height of 300 mm)	0.92 l/s
Overflow capacity (at an accumulation height of 60 mm)	0.63 l/s
Inlet capacity (at 0.25 MPa (2.5 bar))	20 l/min
Diameter of bathtub drain hole	52 mm
DN (nominal width) outlet pipe	40 / 50 mm
Length of Bowden cable	725 mm
Length	130–370 mm
Height	180–430 mm
Dimensions and installation depth	☞ Chapter 3.1.2 'Installation dimensions' on page 10
Water seal level	50 mm

2.3 Accessories



The accessories shown here are not included in the scope of delivery. If required, it must be purchased separately.

Required accessories



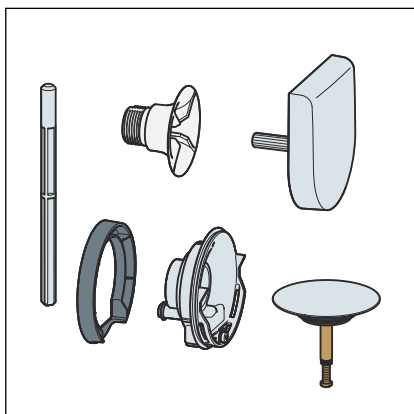
Pipe interrupter

To ensure that no bath water flows back into the potable water installation, a pipe interrupter must be installed, e.g. the connection set with concealed pipe interrupter DN 20, model 6161.86. A suitable cover rosette for the pipe interrupter must be purchased separately.

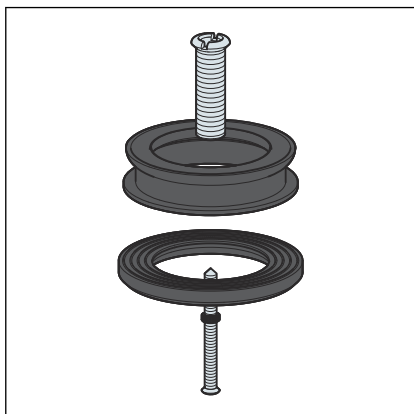
Optional accessories

Equipment set with water level increase

The water level of the overflow can be increased by 5 cm with the equipment set. The equipment set contains a rotatable rosette, a fixing flange, a valve cone, a fixing screw, a flange cover and a mounting aid for the drain of the functional unit.



Equipment set Multiplex Trio Visign MT9: model 6170.0



Multiplex extension set

It is possible to extend the odour trap below the bathtub in the case of bathtubs with a very thick floor. The extension set, model 6161.7, is available for such cases.

3 Handling

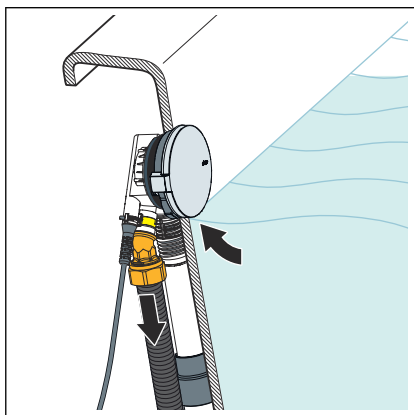
3.1 Assembly information

3.1.1 Mounting conditions

The following requirements exist for the mounting of the drain / overflow:

- The bathtub is installed.
- The drainage line is installed all the way to the bathtub.
- The underside of the bathtub is accessible.

Pipe interrupter



Backflow situation: If a negative pressure situation should occur when the bathtub is filled, bath water may flow back into the potable water installation.

To ensure that no bath water flows back into the potable water installation, a pipe interrupter must be installed in the pipeline between the shut-off valve and the bathtub inlet.

The following schematic diagram shows what this should look like:

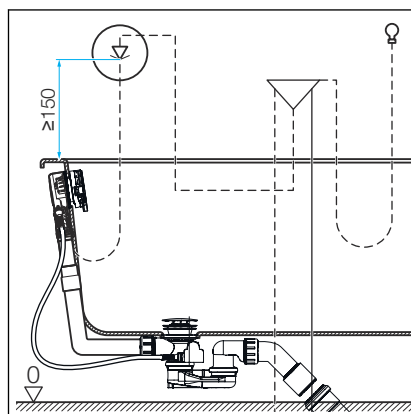


Fig. 2: Mounting scheme with pipe interrupter

It is important that the pipe interrupter is mounted vertically, in the direction of flow and at least 150 mm above the upper edge of the bathtub.

Observe the local standards and regulations.

The pipe interrupter is not included in the scope of delivery and must be ordered separately. Observe the instructions for use of the pipe interrupter.

3.1.2 Installation dimensions

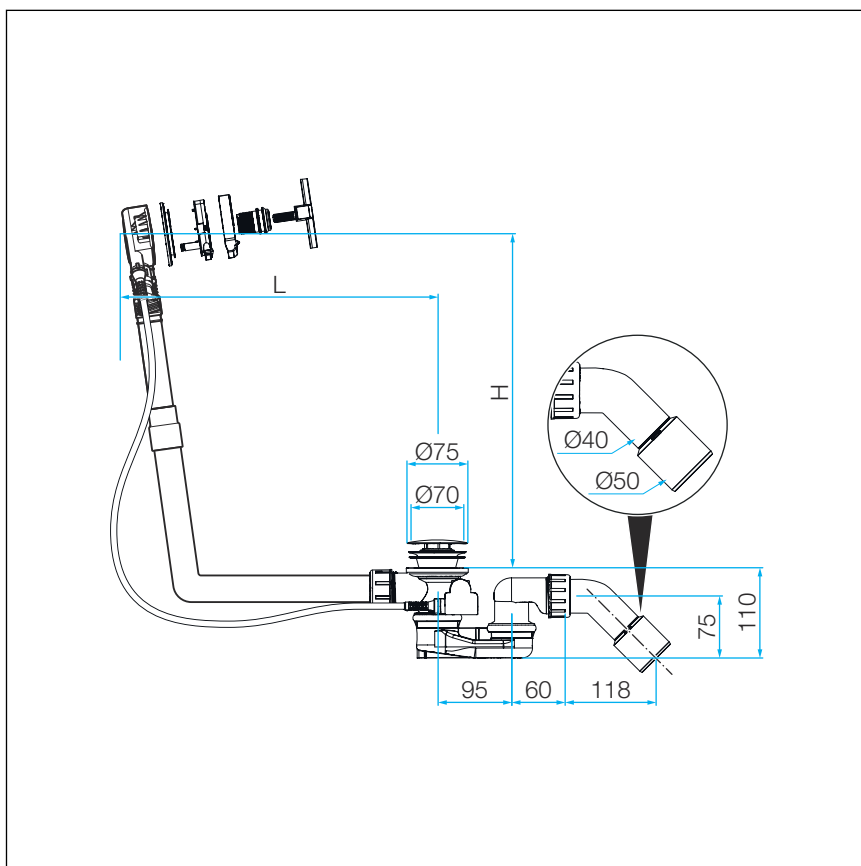


Fig. 3: Dimensional drawing

The following values are valid for L (length) and H (height):

L = 130–370

H = 180–430

3.1.3 Required tools and materials

Tool

The following tools are required for mounting:

- Fine-toothed saw
- Mounting aid (included in the scope of delivery)
- Fork spanner (size 26)

Material

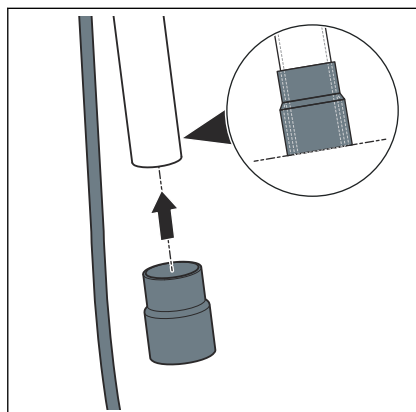
The following material must be purchased separately and must be available during mounting:

- Pipe interrupter (e.g. the pipe interrupter set incl. material for the inlet connection)
- Connection set for the inlet connection (e.g. the pipe interrupter set)

3.2 Assembly

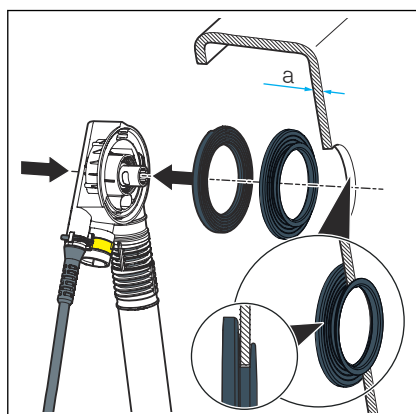
3.2.1 Mounting the overflow

Proceed as follows to mount the overflow:



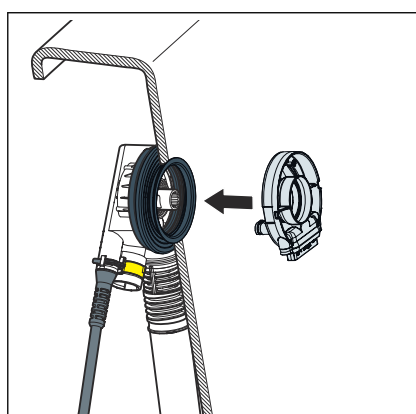
- Push the rubber sleeve onto the pipe of the overflow unit.

The lower edge must be flush with the edge of the overflow pipe.

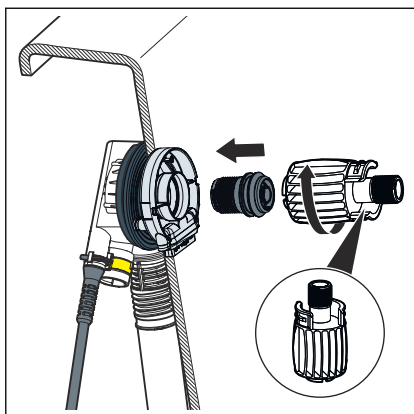


- Fit the profile seal in the overflow unit.

- If the wall thickness a is less than 3 mm (steel bathtubs only), insert the addition seal between profile seal and bathtub.



- Fit the supply flange into the overflow unit.

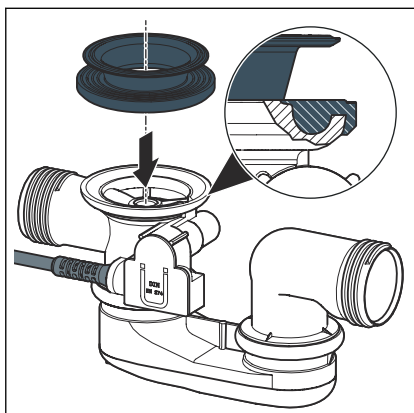


- Screw in the fixing screw and tighten hand tight with the mounting aid.

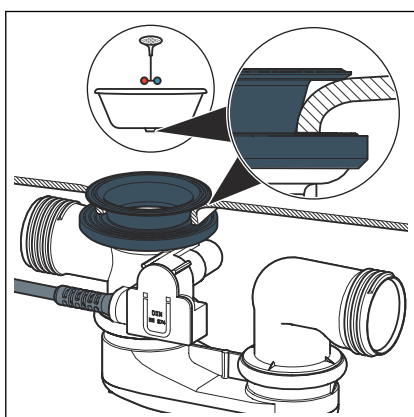
On the hexagon of the mounting aid, there is a groove, which must be positioned on the lip of the fixing screw.

3.2.2 Mounting the drain

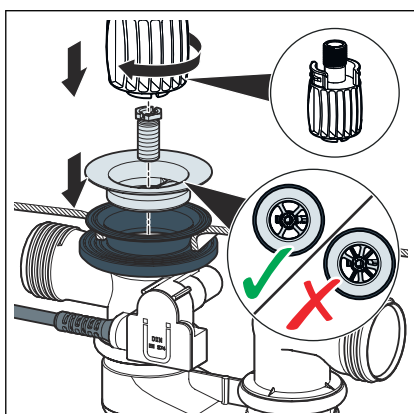
Proceed as follows to mount the drain:



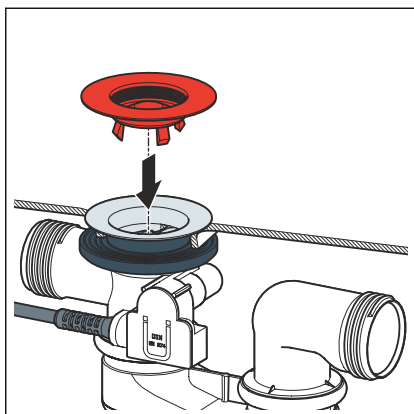
- Place the double seal onto the drain unit in such a way that the recess is positioned above the connecting pipe.
- Pull the edge of the double seal over the edge of the drain.



- Hold the drain with the double seal onto the drain hole of the bathtub from below.
- Pull the top of the double seal through the drain hole.



- Fit the valve top in the double seal.
- INFO! The cross-shaped structures of the drain unit and the valve top must be positioned parallel on top of each other to ensure the full drainage capacity.**
- Place the fixing screw in the drain unit and tighten using the mounting aid.



- Insert the site protection.

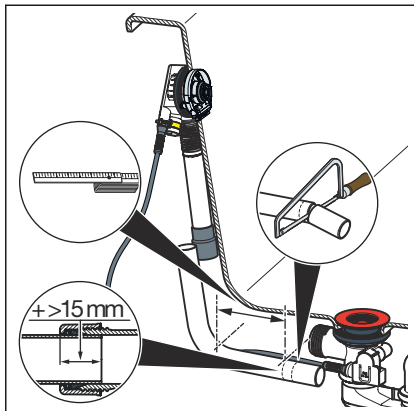
3.2.3 Connecting the overflow and drain

After the overflow and the drain have been mounted, you must connect them both using the overflow pipe. Proceed as follows:

Requirements:

- The overflow is mounted in the overflow opening.
- The drain is securely mounted on the base of the bathtub.

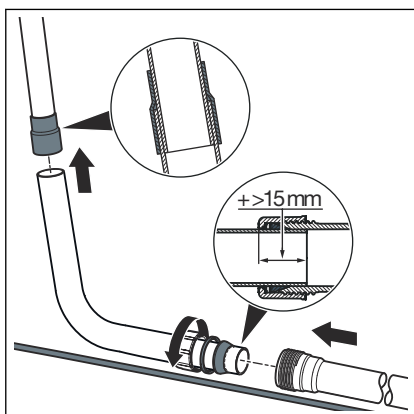
NOTICE! Connections where the pipes are not inserted far enough into each other become leaky. For this reason, maintain a minimum insertion depth of 15 mm for every connection.



- Hold the pipe of the overflow unit parallel to the overflow pipe and mark the positions where the drain and the overflow should be connected.

Minimum insertion depth: 15 mm

- Cut the overflow pipe to the marked length and deburr it.



- Push the top end of the overflow pipe into the rubber sleeve.

Minimum insertion depth: 15 mm

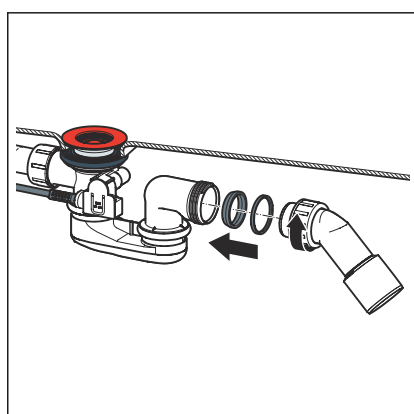
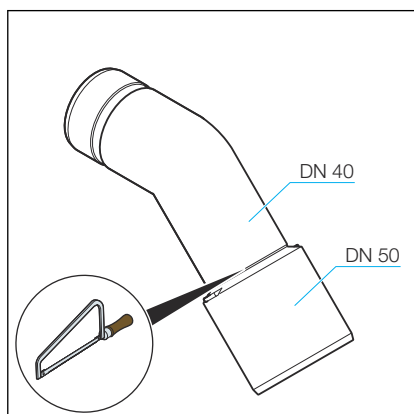
- Push the union nut, sliding ring and seal onto the bottom end of the drain elbow.
- Screw the union nut on the drain unit.

3.2.4 Connecting the wastewater system

Proceed as follows to connect the drain/overflow to the wastewater system:

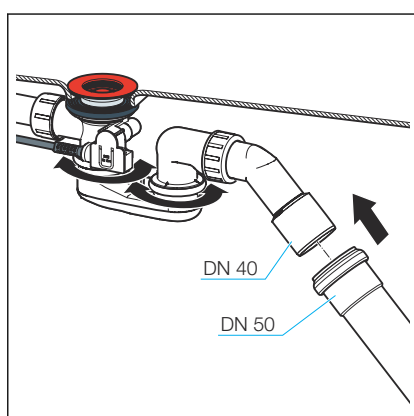
Requirements:

- The overflow and drain units are installed on the bathtub.
- The connection between overflow and drain has been made.
- If the wastewater pipe only has a diameter of 40 mm, cut off drain elbow.



- Push the union nut, sliding ring and seal onto the drain elbow.
- Screw the union nut on the drain unit.

Minimum insertion depth: 15 mm



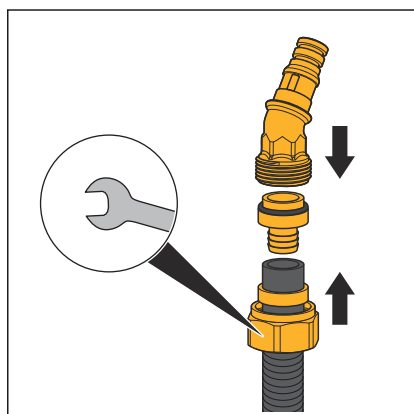
- Align the odour trap in such a way that the drain elbow can be connected to the wastewater pipe.
- Turn the drain at the two joints until the required position has been reached.
- Push the wastewater pipe in the drain elbow.

3.2.5 Connecting the inlet

Proceed as follows to connect the water supply to the overflow unit:

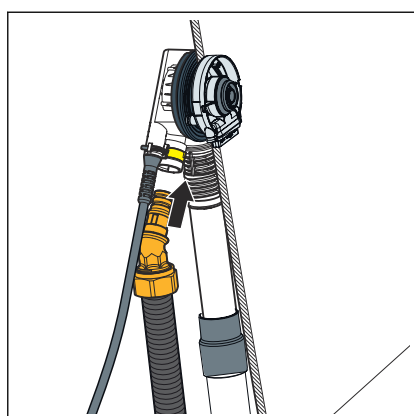
Requirements:

- A connection set (e. g. the pipe interrupter set) is available.
- A pipe interrupter is installed in the supply pipeline.
- The overflow and the drain are mounted.
- The overflow and the drain are connected.
- The connection to the wastewater system has been made.



INFO! Mounting with the Viega plug connection is described in the following. Mounting can also be carried out with other connecting materials. If necessary, observe the manufacturer's instructions.

- Push the union nut and the clamping ring (parts of the connection set) onto the water-carrying pipe.
- Push the narrow end of the screw fitting (part of the connection set) into the pipe as far as it will go.
- Push the free end of the screw fitting into the connecting piece.
- Use the union nut to screw the pipe tight at the connecting piece.

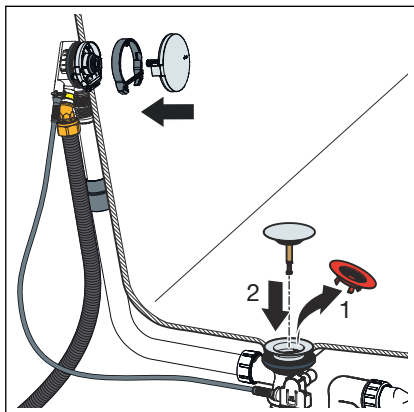


- Insert the connecting piece into the overflow unit.

The connecting piece must click into place in the overflow unit with a noticeable clicking sound.

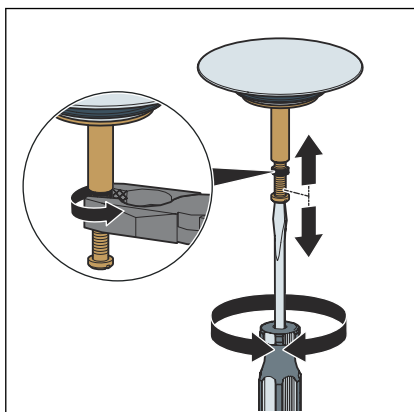
3.2.6 Mounting the equipment set

To avoid damage to the rosette and valve cone, mount the equipment set only after finishing all other work on the building site. Proceed as follows:



- Place the flange cover onto the supply flange with the straight side facing downwards and affix.
- Align and fit the rotatable rosette.
- Fit the valve cone.
- Turn the rotatable rosette to check function and alignment.

The opening of the valve cone should be 2–3 cm wide when opened. If necessary, regulate the width of the opening of the valve cone using the adjusting screw (see next step).

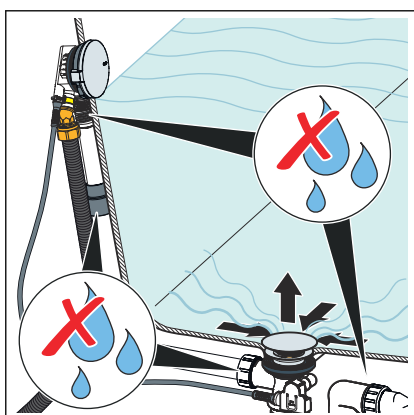


- Set the valve cone with the help of the adjusting screw and counter with the nut.

3.2.7 Leakage test

The leakage test is only carried out as a visual inspection.

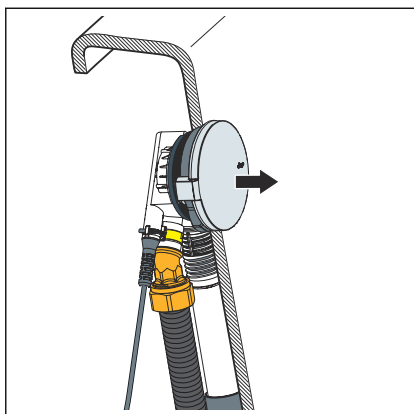
Check the points marked in the following drawing with particular care:



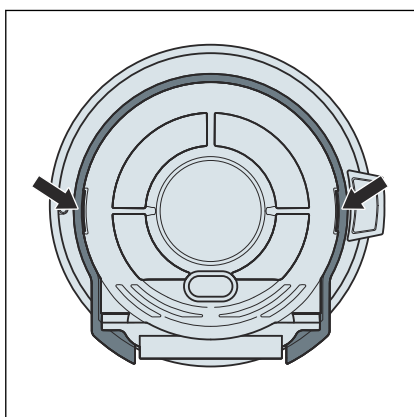
- Check for visible leaks.

3.2.8 Removing the rotatable rosette

If the rotatable rosette on the overflow is to be removed, proceed as follows to prevent damaging the rosette and the flange cover:



➤ Remove the rotatable rosette in the axial direction.

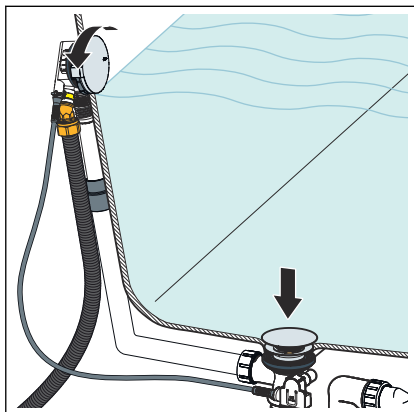


➤ Remove the flange cover at the marked points.

➤ Remove flange cover.

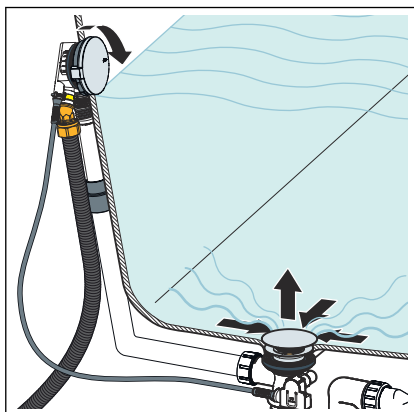
3.3 Use

The drain / overflow are controlled via the rotatable rosette on the overflow. Proceed as follows to open or close the drain:



■ Turn the rotatable rosette to the left.

□ The drain closes itself.

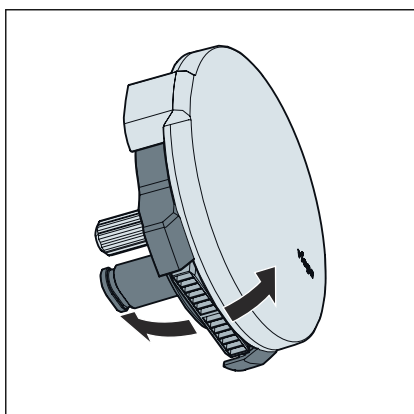


■ Turn the rotatable rosette to the right.

□ The drain opens itself.

Setting the water supply direction

There is a regulator for the water jet on the underside of the rotatable rosette. Proceed as follows to adjust the water jet:



■ Push the flow control backwards or forwards with your finger. The water flows closer or further away from the side of the bathtub depending on the direction set.

3.4 Care



NOTICE!

Risk of damage due to unsuitable cleaning agent.

The following cleaning agents can damage chrome-plated surfaces and therefore may not be used:

- scouring agent
- abrasive sponges
- lime, plaster or cement dissolver
- solvents or other acidic cleaning agents

Use normal soap or a mild cleaning agent for regular care and prevention of lime scale on the rotatable rosette and valve cone. Do not use scouring agent or abrasive objects!

Use household cleaner to remove coarse soiling, also around the drain unit and the odour trap. Rinse the detergent thoroughly with clear water after the prescribed exposure time. There should be no residue on the components.

3.5 Disposal

Separate the product and packaging materials (e. g. paper, metal, plastic or non-ferrous metals) and dispose of in accordance with valid national legal requirements.



Viega GmbH & Co. KG
service-technik@viega.de
viega.com

INT • 2022-08 • VPN200015

