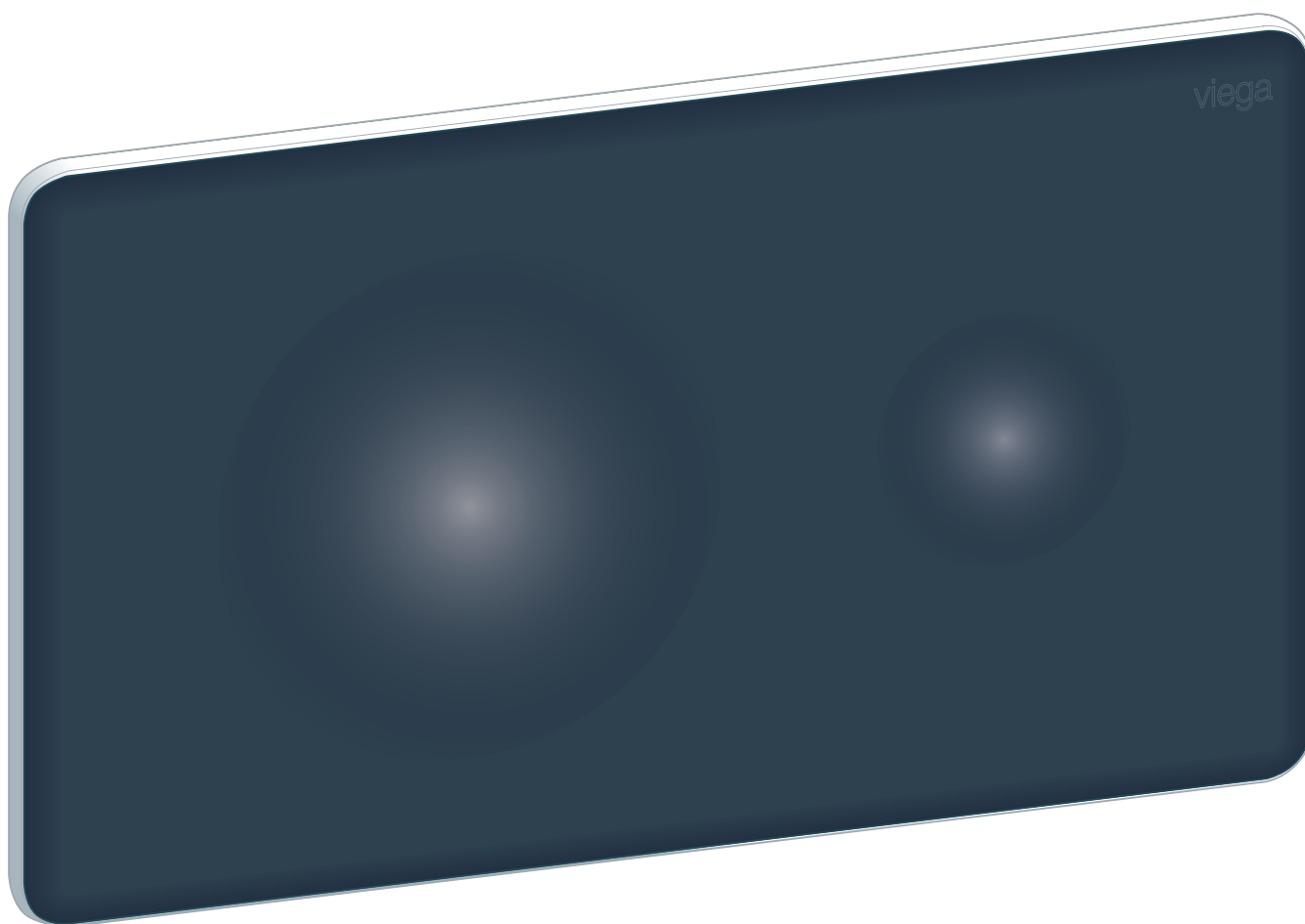


Instructions for Use

WC flush plate for Prevista Visign for More 205 sensitive



for all Prevista concealed cisterns

Model
8625.1

Year built (from)
08/2020

viega

Table of contents

| | | |
|----------|-----------------------------------------|-----------|
| 1 | About these instructions for use | 3 |
| | 1.1 Target groups | 3 |
| | 1.2 Labelling of notes | 3 |
| | 1.3 About this translated version | 4 |
| 2 | Product information | 5 |
| | 2.1 Intended use | 5 |
| | 2.1.1 Areas of use | 5 |
| | 2.2 General notes | 5 |
| | 2.3 Product description | 7 |
| | 2.3.1 Overview | 7 |
| | 2.3.2 Technical data | 7 |
| | 2.3.3 Connection diagram | 8 |
| | 2.3.4 Operating mode | 8 |
| | 2.3.5 System expansions | 9 |
| | 2.4 Accessories | 10 |
| 3 | Handling | 12 |
| | 3.1 Assembly information | 12 |
| | 3.1.1 Mounting conditions | 12 |
| | 3.1.2 Required material and tools | 12 |
| | 3.2 Assembly | 13 |
| | 3.2.1 Prepare cistern | 13 |
| | 3.2.2 Mounting the flush plate | 13 |
| | 3.2.3 Connecting external sensors | 21 |
| | 3.3 Commissioning | 22 |
| | 3.3.1 Setting the flush | 22 |
| | 3.4 Errors, faults and remedy | 25 |
| | 3.5 Care and maintenance | 25 |
| | 3.5.1 Care tips | 25 |
| | 3.6 Disposal | 26 |

1 About these instructions for use

Trade mark rights exist for this document; for further information, go to viega.com/legal.

1.1 Target groups

The information in this instruction manual is directed at the following groups of people:

- Heating and plumbing experts and trained personnel
- Operators
- Consumers

Individuals without the abovementioned training or qualification are not permitted to mount, install and, if required, maintain this product. This restriction does not extend to possible operating instructions.

The installation of Viega products must take place in accordance with the general rules of engineering and the Viega instructions for use.

1.2 Labelling of notes

Warning and advisory texts are set aside from the remainder of the text and are labelled with the relevant pictographs.



DANGER!

This symbol warns of possible life-threatening injury.



WARNING!

This symbol warns of possible serious injury.



CAUTION!

This symbol warns of possible injury.



NOTICE!

This symbol warns of possible damage to property.



This symbol gives additional information and hints.

1.3 About this translated version

This instruction for use contains important information about the choice of product or system, assembly and commissioning as well as intended use and, if required, maintenance measures. The information about the products, their properties and application technology are based on the current standards in Europe (e.g. EN) and/or in Germany (e.g. DIN/DVGW).

Some passages in the text may refer to technical codes in Europe/Germany. These should serve as recommendations in the absence of corresponding national regulations. The relevant national laws, standards, regulations, directives and other technical provisions take priority over the German/European directives specified in this manual: The information herein is not binding for other countries and regions; as said above, they should be understood as a recommendation.

2 Product information

2.1 Intended use

2.1.1 Areas of use

Suitable cisterns

The flush plate is intended for the actuation of flushes on Viega concealed cisterns.



Installation is possible in all Prevista concealed cisterns.

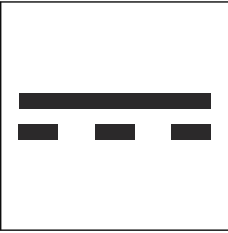
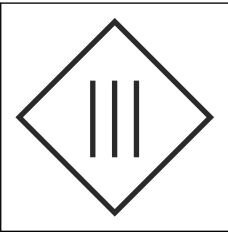
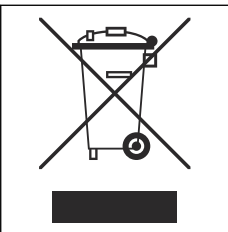
2.2 General notes

- If you notice any damage on the product or individual components, do not carry out a repair. Instead, have the product replaced by qualified personnel.
- This product is not intended for use by persons (including children) with restricted physical, sensory or mental aptitude or lack of experience and/or knowledge.
- Make sure that children do not play with this product.

Symbols

Observe the symbol listed on the label:

| Symbol | Description |
|-------------------------------------------------------------------------------------|-----------------------------------------------------------------------------|
|  | CE marking, Product Safety in Europe |
|  | EAC marking, registration of products in the territory of the Customs Union |

| Symbol | Description |
|------------------------------------------------------------------------------------|----------------------------------------------------------------|
|  | Direct current |
|  | Protection class III |
|  | The marked product must not be disposed of as household waste. |

2.3 Product description

2.3.1 Overview

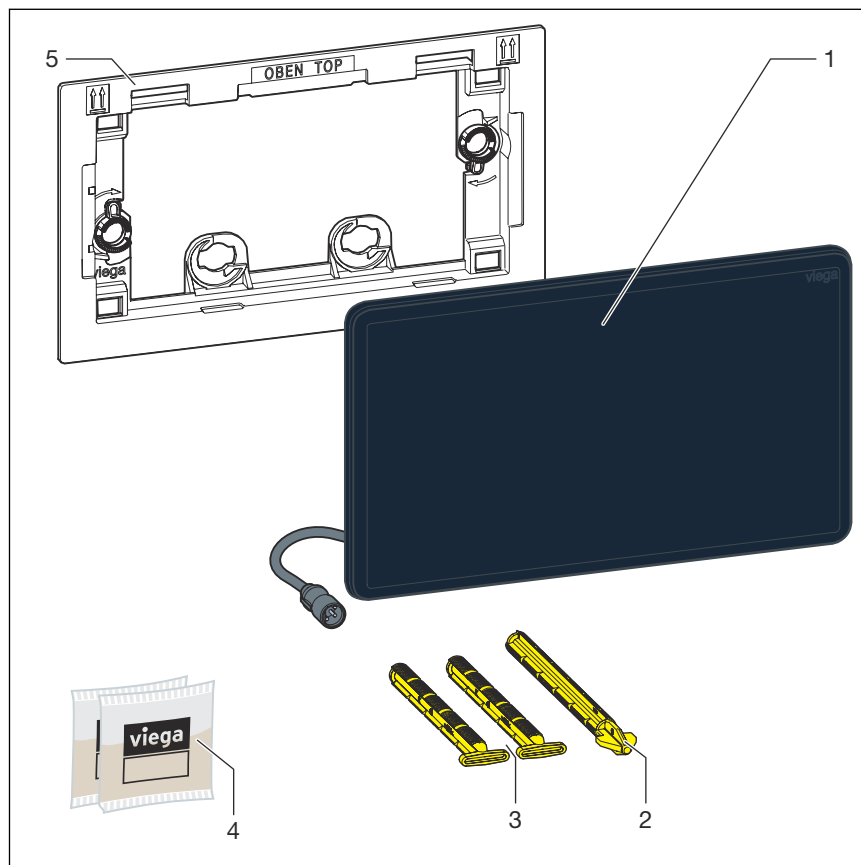


Fig. 1: Scope of delivery

- 1 flush plate
- 2 Actuating rod
- 3 retaining bolt
- 4 silicon grease (2 x 2 g)
- 5 installation frame

2.3.2 Technical data

Flush volume

The flush volumes for the flush actuation are:

- Small flush volume: approx. 2 / 3 / 4 litres
- Large flush volume: approx. 3.5 / 4.5 / 6 / 7.5 litres

For the setting of the flush see [Chapter 3.3.1 'Setting the flush'](#) on page 22.

If the external sensor (e. g. a remote button on the handle) offers two activation options, the **electronic flush actuation** can be used to select between the large or small flush volume.

Hygiene function

| | |
|------------------------|------------------------------|
| Hygiene flush volume | 3 / 7.5 litres |
| Hygiene flush interval | 1 / 12 / 24 / 72 / 168 hours |

Voltage and current

| Voltage [V] | Current [mA] |
|-------------|--------------|
| 6.5 | 135 |

2.3.3 Connection diagram

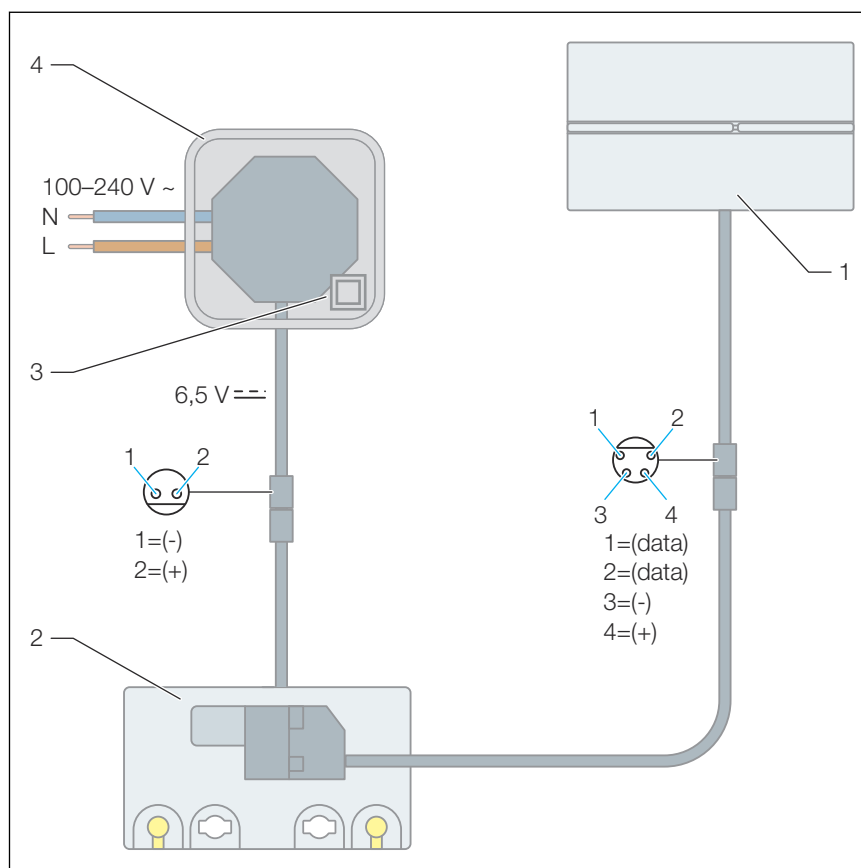


Fig. 2: Connection diagram, power pack, WC flush plate for Prevista

- 1 WC flush plate for Prevista
- 2 Electronic drive unit
- 3 Power pack
- 4 Plastic branch protection class II

2.3.4 Operating mode

Flushes from Prevista concealed cisterns are actuated contact-free via the flush plate. The sensor range is approx. 12 mm from the flush plate.

Optionally, a large or small flush volume can be flushed.

Viega Hygiene function

Stagnation can lead to the build up of germs (e.g. legionella) in potable water pipelines. It is important to rinse the pipeline regularly to prevent the build up of bacteria. The Viega Hygiene function was developed for this reason.

Flushes are actuated in a time-controlled manner with the Viega Hygiene function. Interval and flush volume will be set as required and saved by the control. All settings remain saved during a power cut.

The function is deactivated at the factory.

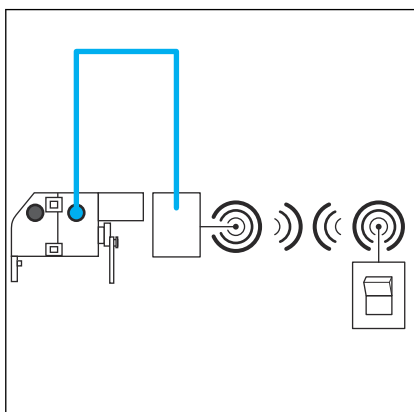
Orientation light

When a person enters the detection zone, the flush plate lights up.

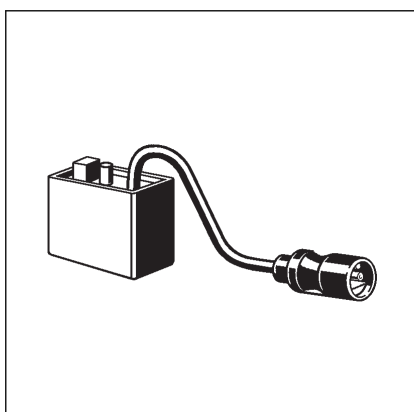
2.3.5 System expansions

The system's range of functions can be expanded through the connection of accessories onto the control.

Radio controlled actuation



You need the following accessories to connect a radio receiver instead of a cable-connected external sensor:



Signals to actuate the flush (e. g. on support hinged handles) sent by HEWI radio transmitters can be received by a radio receiver (model 8570.58).

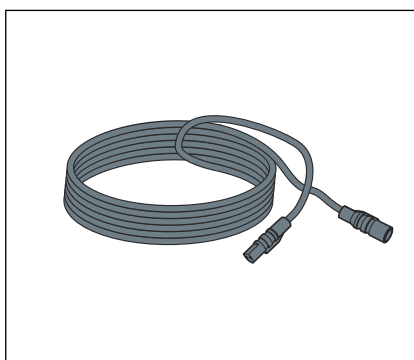
2.4 Accessories

Required accessories

For complete mounting of the electronic flush plate, you need the electronic accessory set (model 8655.11). Install the mains adapter in a connection socket suitable for protection class II (e.g. model 8570.62).

This ensures installation according to SELV.

Optional accessories

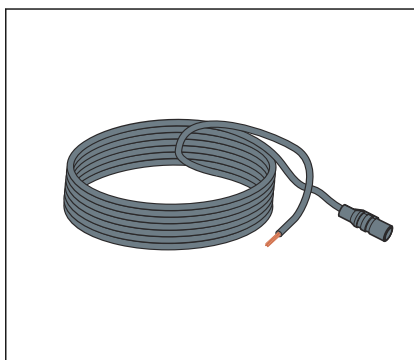


Extension cable (model 8352.690)

2 metre cable for the extension of the power supply.



Use a maximum of two extension cables with the mains adapter (4.75 meter total length).



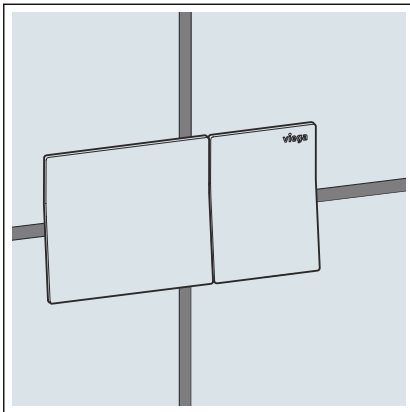
Connection cable (model 8570.55)

3-meter cable for external flush actuation with on-site and commercially available buttons with closing function or potential-free contact (closing period 350 ms).



Extension cable adapter (model 8580.49)

For connection of a radio receiver.



WC remote flush actuation (models 8640.1 and 8641.1)

For electronic remote flush actuation on Prevista concealed cisterns.

3 Handling

3.1 Assembly information

3.1.1 Mounting conditions

Electromagnetic interference sources

If there is an electromagnetic interference source near the flush plate, malfunctions may occur.

During installation, keep a minimum distance of 1 m from devices emitting electromagnetic radiation, e.g. induction hobs.

External sensors (optional)

If external sensors are to be connected to the drive unit, their connection cables or empty pipes must be laid in the cistern before tiling is begun, see ↪ *Chapter 2.3.5 'System expansions' on page 9*.

3.1.2 Required material and tools

Material

The following material is required for mounting:

- if necessary, accessories for the extension of the system ↪ *Chapter 2.3.5 'System expansions' on page 9*

Tool

The following tools are required for mounting:

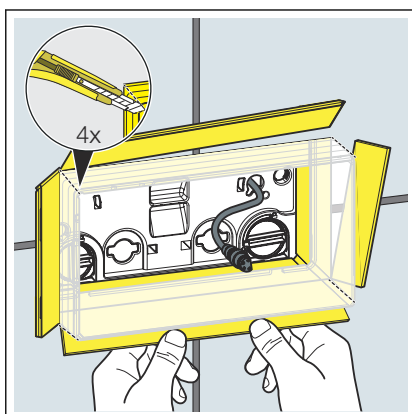
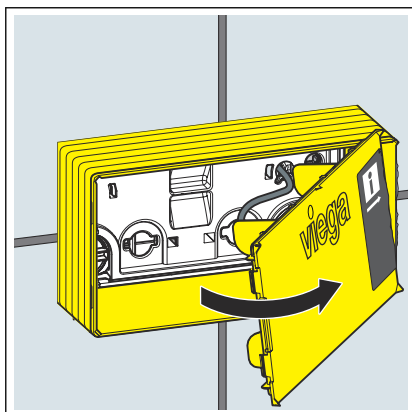
- cutting knife

3.2 Assembly

3.2.1 Prepare cistern

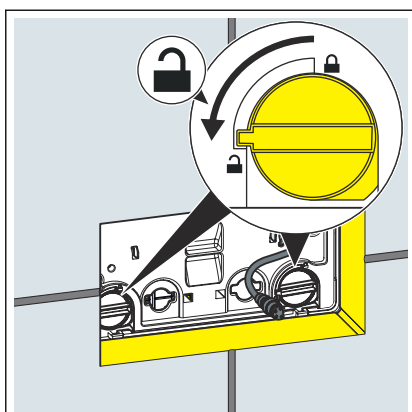
Requirements:

- The accessory set electronic (model 8655.11) is mounted.
- The cistern is fitted into the pre-wall.
- The pre-wall is tiled.
- Remove the shaft cover.

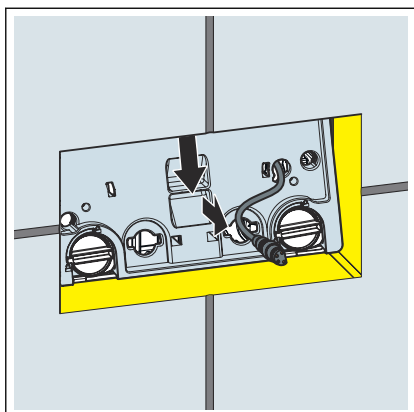


- Cut into the corners of the revision shaft.
- Fold the sides of the revision shaft outwards up to the tile level and snap them off.

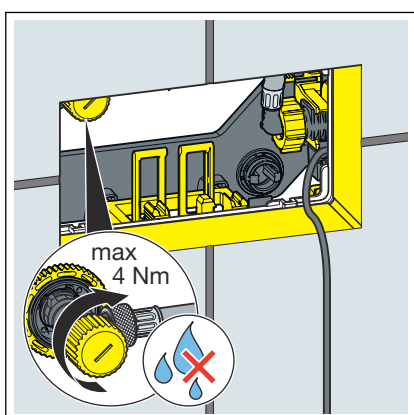
3.2.2 Mounting the flush plate



- Turn the site protection panel lock 90° anti-clockwise.

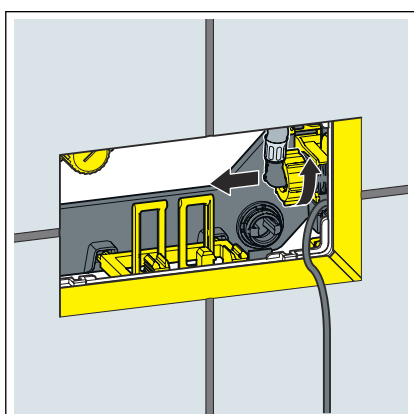


► Remove the site protection panel.

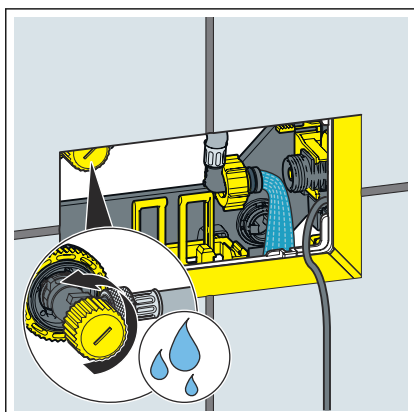


► Close the corner valve.

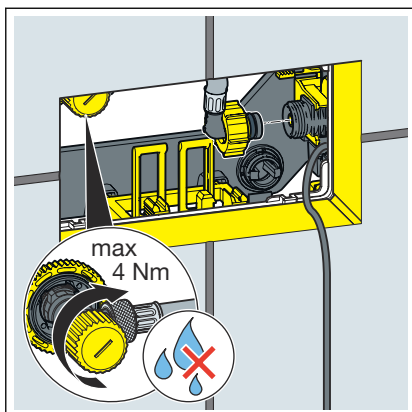
The maximum torque is 4 Nm.



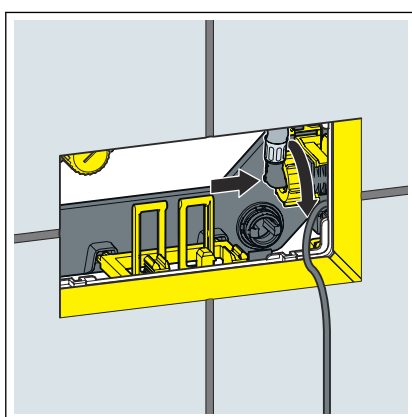
► Loosen the flexible hose on the filling valve.



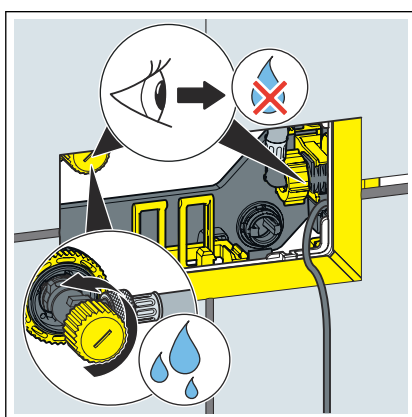
► Open the corner valve for a few seconds to flush the pipe.



- Close the corner valve.
The maximum torque is 4 Nm.



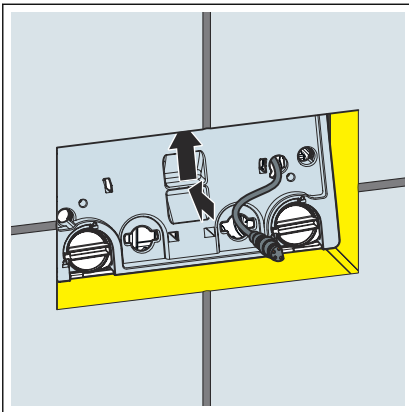
- Connect the flexible hose to the filling valve.



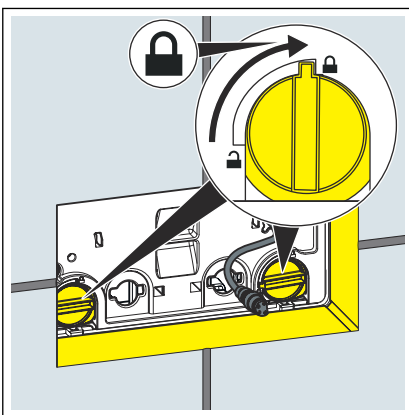
- Re-open the corner valve.
- INFO!** Check the corner valve and the filling valve for leak tightness.



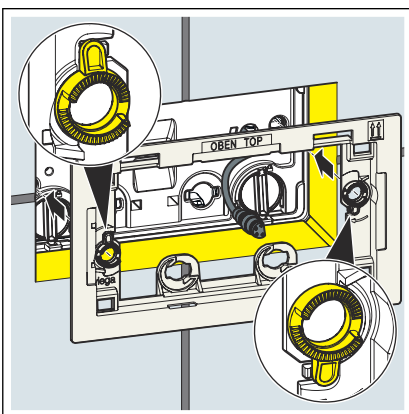
Set the desired flush volume, see ↪ *Chapter 3.3.1 'Setting the flush' on page 22.*



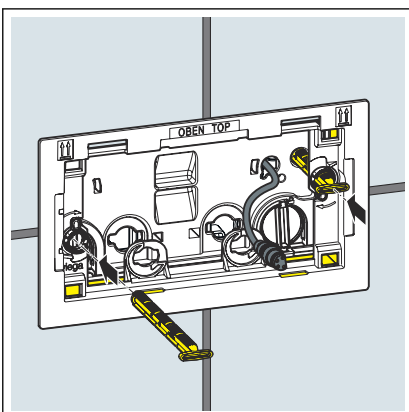
► Insert the site protection panel into the cistern.



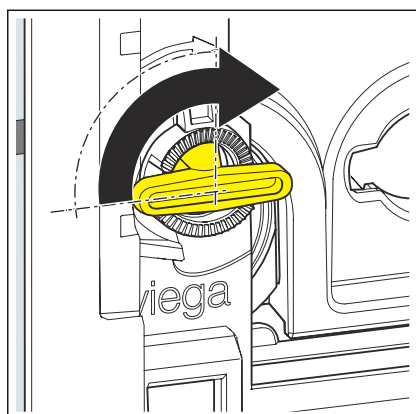
► Turn the site protection panel's lock by 90° clockwise.



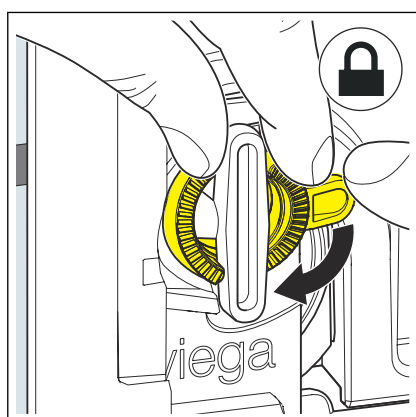
► Put on the installation frame.



► Insert the retaining bolts.

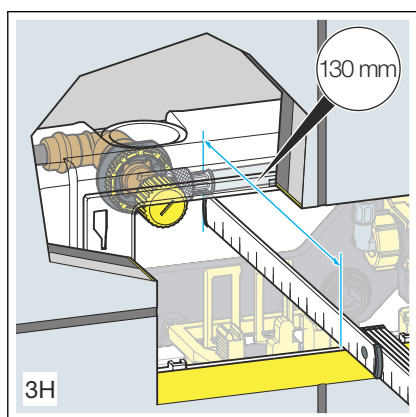


► Turn the retaining bolts by 90° in a clockwise direction.



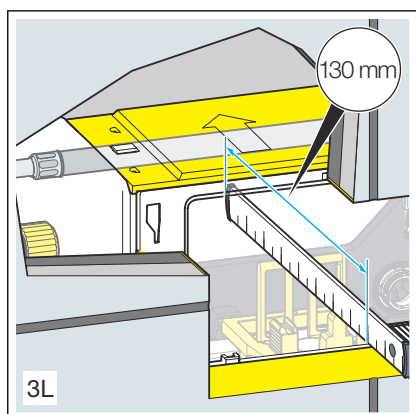
► Align the installation frame.

► To fix the retaining pins, turn the safety rings in a clockwise direction.

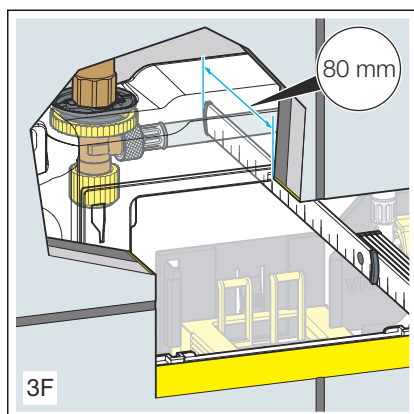


If you are not sure which cistern is installed, identify it by means of the following dimensions.

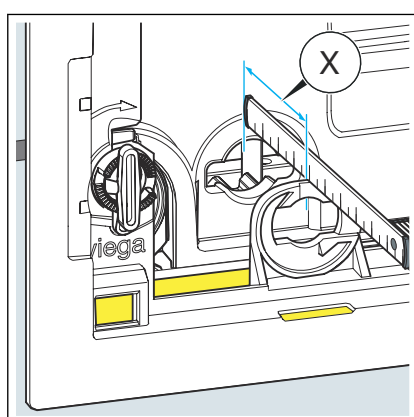
■ 3H concealed cistern



■ Concealed cistern 3L

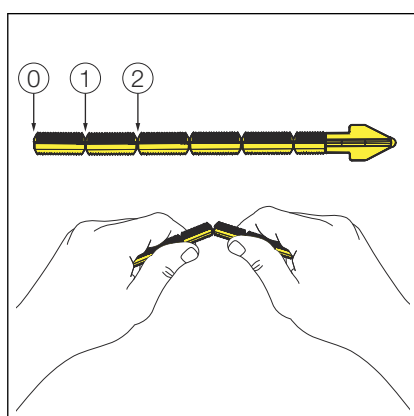


■ Concealed cistern 3F



INFO! For installation from the front into the concealed cisterns 3H, 3L, 3F.

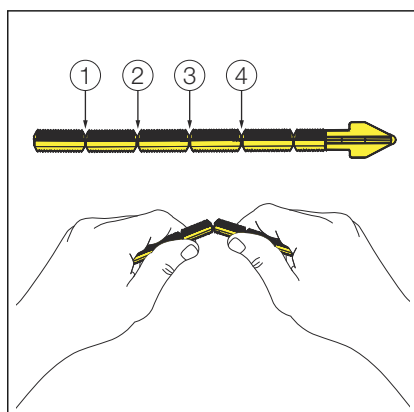
► Determine the distance for the actuating rod.



INFO! Cistern 3H and 3L.

► If necessary, cut the actuating rod to length.

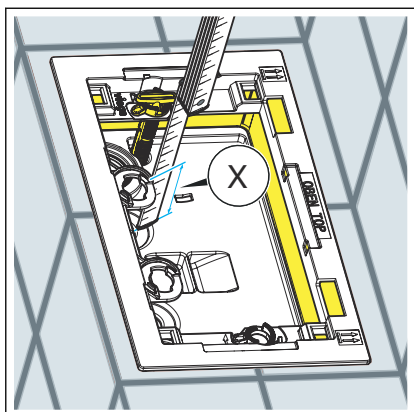
- 0: 75–50 mm
- 1: 50–25 mm
- 2: 25–10 mm



INFO! Cistern 3F.

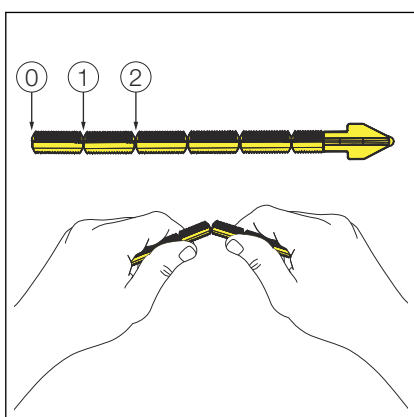
► If necessary, cut the actuating rod to length.

- 1: 75–55 mm
- 2: 55–35 mm
- 3: 35–15 mm
- 4: 15–10 mm



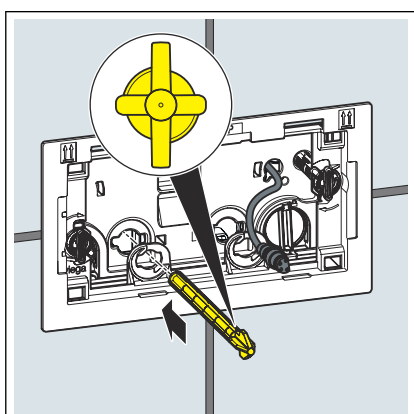
INFO! For installation from above into concealed cistern 3L.

- Determine the distance for the actuating rod.

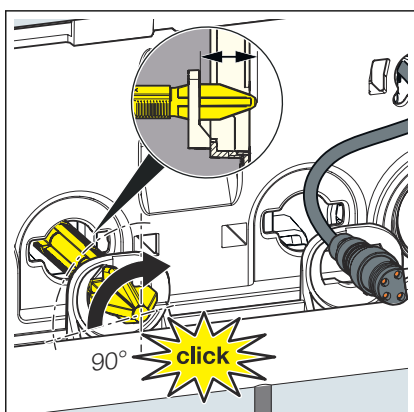


- If necessary, cut the actuating rod to length.

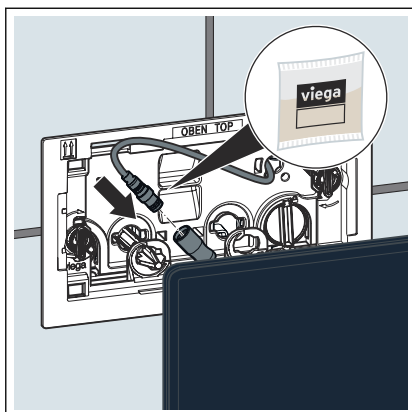
- 0: 60–45 mm
- 1: 45–25 mm
- 2: 25–10 mm



- Push the actuating rod through the left opening of the installation frame as far as it will go.



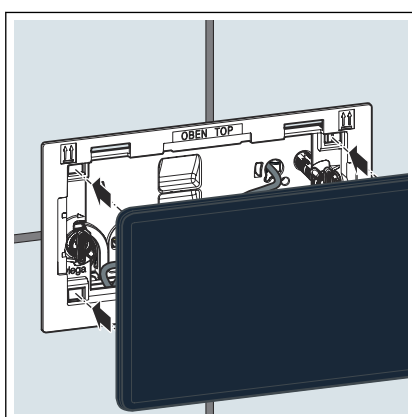
- Align the actuating rod.
- Turn the actuating rod clockwise by 90°.



- Apply the silicon grease to the electronic connections.
- Connect the control line to the flush plate.

INFO! The radar sensor is calibrated. During calibration the flush plate is functionless for 60 seconds.

- If required, additional external sensors can be connected to the drive unit. See [Chapter 3.2.3 'Connecting external sensors'](#) on page 21.



- Mount the flush plate.
 - The flush plate is mounted.

3.2.3 Connecting external sensors



NOTICE! Damage to property due to excess voltage

If you apply voltage to the connection cable for the external button, you will damage the control.

- Do not apply any external voltage!

Requirements:

- Button with locking function or potential-free contact (closure time at least 350 ms) available
- Connection cable available
- Connect the contact to actuate the small flush volume between the white (1) and yellow cable (3).

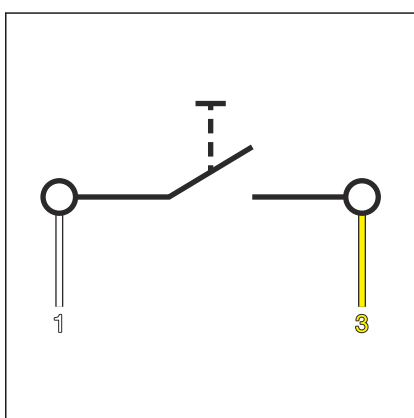


Fig. 3: WC flush plate, terminal assignment for external sensors

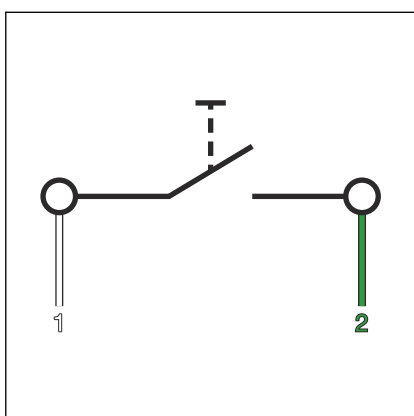
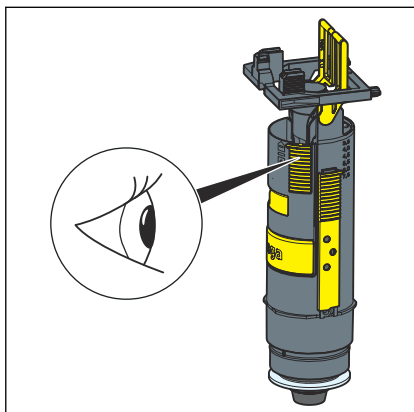


Fig. 4: WC flush plate, terminal assignment for external sensors

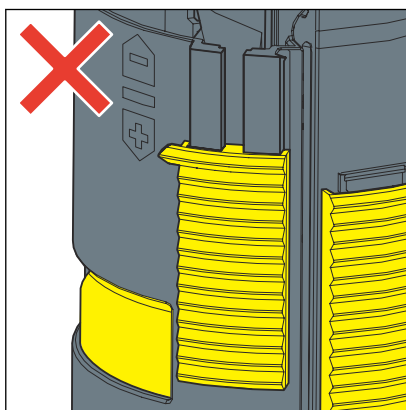
- Connect the contact to actuate the large flush volume between the white (1) and green cable (2).
- Strip the end of the brown cable (e.g., with a lustre terminal).

3.3 Commissioning

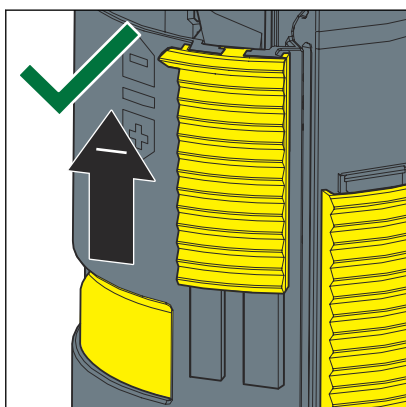
3.3.1 Setting the flush



The smallest possible flush volume must be set at the drain valve in the cistern.



- The small flush volume is set incorrectly.

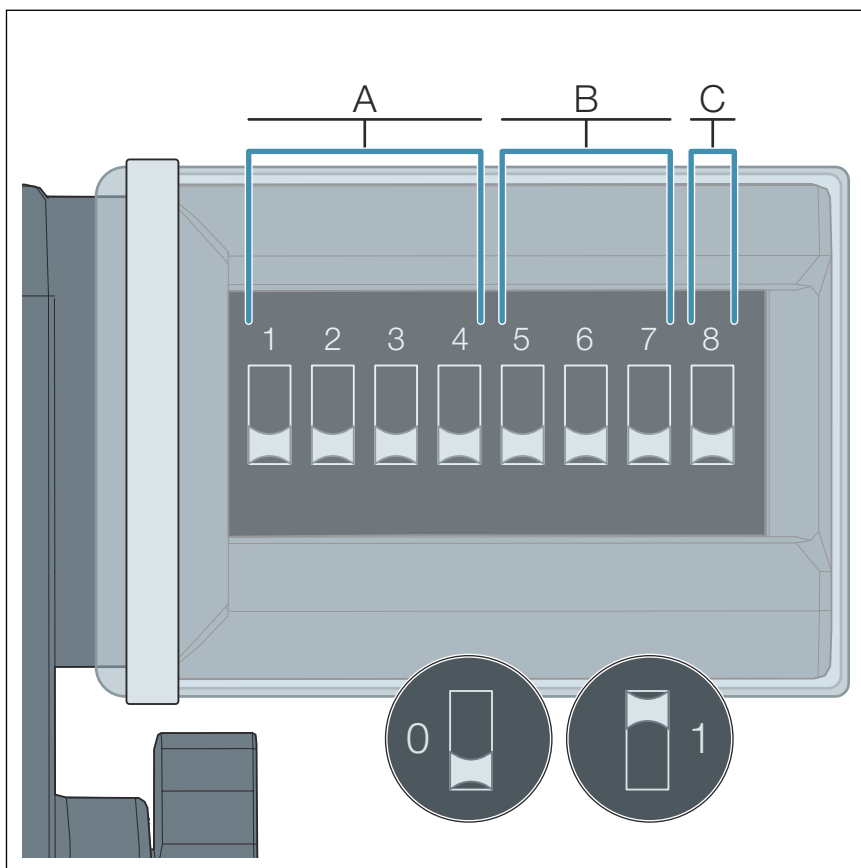


- The small flush volume is set correctly.

The flush volume is set via the DIP switch of the drive unit.



Make the settings only in the currentless (unconnected) state.



- A Setting the flush volume
- B Interval of the Hygiene function
- C Setting the flush volume of the Hygiene function
- 0 DIP switch position: OFF
- 1 DIP switch position: ON

The assignment of the DIP switches:

- Switches 1-4 define the flush volume.
- Switches 5-7 define the interval of the Hygiene function.
- Switch 8 defines the flush volume of the Hygiene function.



NOTICE!
Damage due to moisture

Risk of damage to the drive unit if moisture penetrates.

- Do not remove the protective cover of the DIP switches.

Setting the flush volumes (A)

| Program no. | Large flush volume (in litres) | Small flush volume (in litres) | Position of switches 1—4 | | | |
|-----------------------------|--------------------------------|--------------------------------|--------------------------|---|---|---|
| | | | 1 | 2 | 3 | 4 |
| Program 0 (factory setting) | 6 | 3 | 0 | 0 | 0 | 0 |
| Program 1 | 3.5 | 2 | 0 | 0 | 0 | 1 |
| Program 2 | 4.5 | 2 | 0 | 0 | 1 | 0 |
| Program 3 | 6 | 2 | 0 | 0 | 1 | 1 |
| Program 4 | 7.5 | 2 | 0 | 1 | 0 | 0 |
| Program 5 | 3.5 | 3 | 0 | 1 | 0 | 1 |
| Program 6 | 4.5 | 3 | 0 | 1 | 1 | 0 |
| Program 7 | 7.5 | 3 | 0 | 1 | 1 | 1 |
| Program 8 | 4.5 | 4 | 1 | 0 | 0 | 0 |
| Program 9 | 6 | 4 | 1 | 0 | 0 | 1 |
| Program 10 | 7.5 | 4 | 1 | 0 | 1 | 0 |

Enabling the Hygiene function and setting the intervals (B)

| Interval (in hours) | Position of switches 5—7 | | |
|---------------------|--------------------------|---|---|
| | 5 | 6 | 7 |
| Switched off | 0 | 0 | 0 |
| 1 | 0 | 0 | 1 |
| 12 | 0 | 1 | 0 |
| 24 | 0 | 1 | 1 |
| 72 | 1 | 0 | 0 |
| 168 | 1 | 0 | 1 |

Setting the flush volume of the Hygiene function (C)

| Flush volume (in litres) | Position of switch 8 |
|--------------------------|----------------------|
| 3 | 0 |
| 7.5 | 1 |

Indication of the flush volume actuation

| Sensor range | Flush volume |
|---------------------------|-----------------------------|
| Flashes on the left side | Large flush volume actuated |
| Flashes on the right side | Small flush volume actuated |

3.4 Errors, faults and remedy



In case of malfunctions, disconnect the model from the power supply and reconnect it after one minute.

| Error | Cause | Solution |
|----------------------------|---------------------------------------------------------------|-----------------------------------------------------------------------------------------|
| The WC does not flush. | The supply voltage has failed. | Check the power supply. |
| | The cistern is not yet completely full. | Wait until the cistern is sufficiently full. |
| | There is no water in the cistern. The corner valve is closed. | Open the corner valve. |
| | The control is defective. | Replace the control. |
| | The plugs of control and flush plate have not been connected. | Establish the plug connection. ↪ Chapter 3.2.2 'Mounting the flush plate' on page 13 |
| The WC flush runs through. | The seal at the filling valve is dirty or damaged. | Check the seal, replace if necessary. |
| | The seal at the drain valve is dirty or damaged. | Check the seal, replace if necessary. |

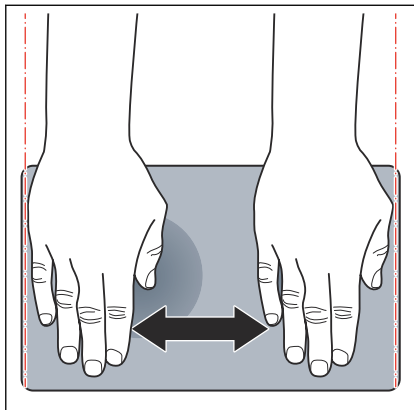
3.5 Care and maintenance

3.5.1 Care tips

Use normal soap or a mild cleaning agent for regular care and prevention of lime scale on the flush plate. Under no circumstances should scouring agent or scratching objects be used.

Strong stains can be removed using typical household cleaner. Rinse the detergent thoroughly with clear water after the prescribed exposure time. There should be no residue on the components.

Cleaning function



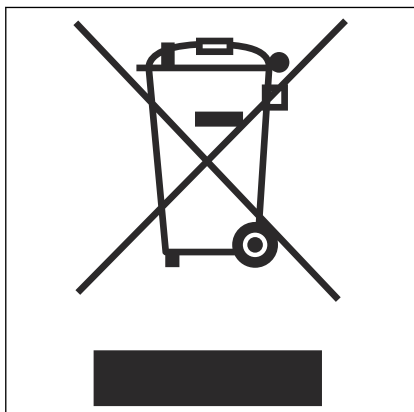
To clean the flush plate, the flush actuation function can be deactivated for 60 seconds.

While the cleaning function is active, both lamps are flashing.

| | |
|---------------------------|---------------------------------------------------------------------------------------------------------------------------|
| Activating the function | Wipe repeatedly to activate - from left to right or right to left, across the lamps for the large and small flush volume. |
| Deactivating the function | Hold both hands simultaneously for 5 s before the detection areas. |

3.6 Disposal

Separate the product and packaging materials (e. g. paper, metal, plastic or non-ferrous metals) and dispose of in accordance with valid national legal requirements.



Electronic components and batteries must not be put in the domestic waste but must be disposed of appropriately in conformity with the WEEE guideline 2012/19/EU.



Viega GmbH & Co. KG
service-technik@viega.de
viega.com

INT • 2022-08 • VPN220124

