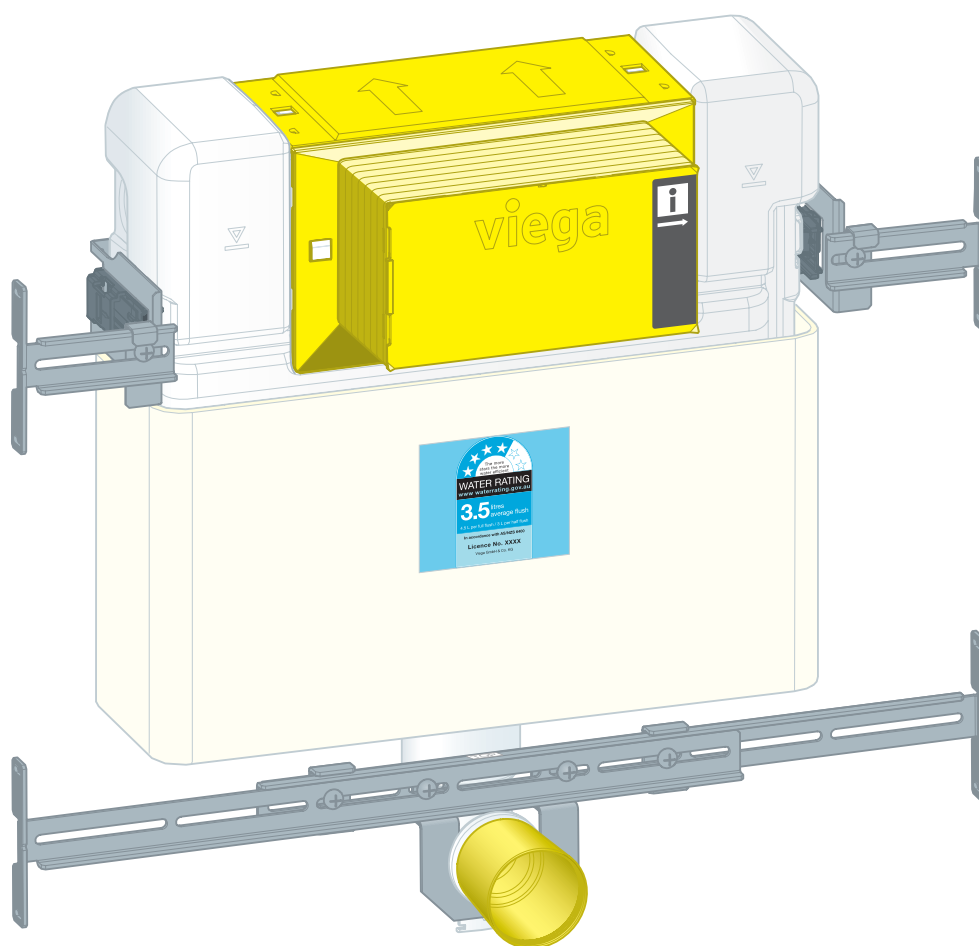


## Instructions for Use

# Prevista Pure 3L for floor-standing WC (Undercounter)



compatible with all WC flush plates for Prevista

**Model**  
8504.11

**Year built (from)**  
03/2022

**viega**

# Table of contents

<b>1</b>	<b>About these instructions for use</b>	<b>3</b>
	1.1 Target groups	3
	1.2 Labelling of notes	3
	1.3 About this translated version	4
<b>2</b>	<b>Product information</b>	<b>5</b>
	2.1 Standards and regulations	5
	2.2 Intended use	5
	2.2.1 Areas of application	5
	2.3 Product description	6
	2.3.1 Overview	6
	2.3.2 Technical data	7
<b>3</b>	<b>Handling</b>	<b>8</b>
	3.1 Assembly information	8
	3.1.1 Installation dimensions	8
	3.2 Assembly	9
	3.2.1 Mounting concealed cistern	9
	3.2.2 Connecting concealed cistern	12
	3.2.3 Setting up and cladding the concealed cistern	17
	3.2.4 Setting the flush volume	19
	3.3 Cleaning and maintenance	21
	3.4 Disposal	21

# 1 About these instructions for use

Trade mark rights exist for this document; for further information, go to [viega.com/legal](http://viega.com/legal).

## 1.1 Target groups

The information in this instruction manual is directed at the following groups of people:

- Heating and plumbing experts and trained personnel
- Stud frame builders

Individuals without the abovementioned training or qualification are not permitted to mount, install and, if required, maintain this product. This restriction does not extend to possible operating instructions.

The installation of Viega products must take place in accordance with the general rules of engineering and the Viega instructions for use.

## 1.2 Labelling of notes

Warning and advisory texts are set aside from the remainder of the text and are labelled with the relevant pictographs.



### **DANGER!**

This symbol warns of possible life-threatening injury.



### **WARNING!**

This symbol warns of possible serious injury.



### **CAUTION!**

This symbol warns of possible injury.



### **NOTICE!**

This symbol warns of possible damage to property.



This symbol gives additional information and hints.

### 1.3 About this translated version

This instruction for use contains important information about the choice of product or system, assembly and commissioning as well as intended use and, if required, maintenance measures. The information about the products, their properties and application technology are based on the current standards in Europe (e.g. EN) and/or in Germany (e.g. DIN/DVGW).

Some passages in the text may refer to technical codes in Europe/Germany. These should serve as recommendations in the absence of corresponding national regulations. The relevant national laws, standards, regulations, directives and other technical provisions take priority over the German/European directives specified in this manual: The information herein is not binding for other countries and regions; as said above, they should be understood as a recommendation.

## 2 Product information

### 2.1 Standards and regulations

The following standards and regulations apply to Germany / Europe. National regulations can be found on the relevant web site of your country at [viega.com.au/standards](http://viega.com.au/standards)

#### Regulations from section: Application areas

Scope / Notice	Regulations applicable in Germany
Specifications for installations inside buildings conveying water for human consumption	EN 806-2

### 2.2 Intended use

#### 2.2.1 Areas of application

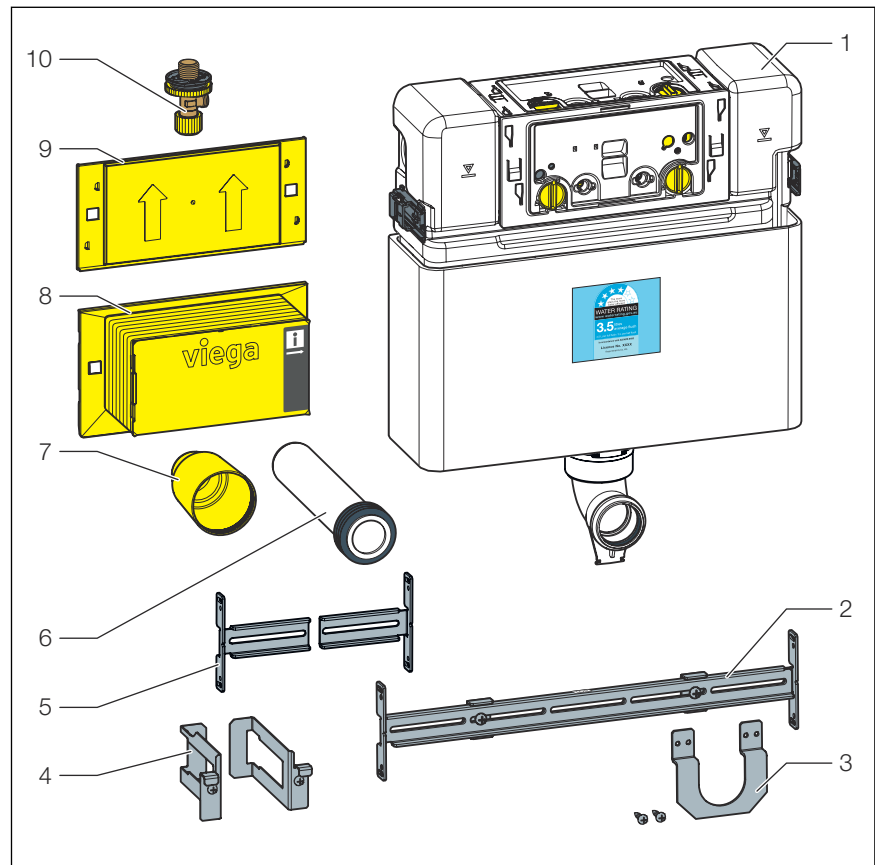
The Prevista Pure concealed cistern 3L is used for installing a floor-standing WC and is suitable for installation in a timber or steel stud frame. Flush actuation is possible from the front or the top.

This model is equipped with dual flush technology and is delivered without flush plates. For complete mounting, a WC flush plate for Prevista must be purchased additionally.

The cistern is designed to supply cold water. The application limits must be taken into account for the cold water supply, see ↗ *'Regulations from section: Application areas'* on page 5.

## 2.3 Product description

### 2.3.1 Overview



**Fig. 1: Components**

- 1 Concealed cistern 3L
- 2 Lower mounting frame
- 3 Flush pipe holder
- 4 Mounting bracket
- 5 Upper mounting frame
- 6 Flushing pipe
- 7 Protective plug
- 8 Inspection shaft for the cistern
- 9 Cover for the side not occupied by the inspection shaft
- 10 Corner valve

### 2.3.2 Technical data

The product has the following technical data:

<b>Pre-assembled water connection</b>	R $\frac{1}{2}$	
	<b>Small flush volume</b>	
	Factory setting	Approx. 3 l
	Setting range	Approx. 2–4 l
<b>Large flush volume</b>	Factory setting	Approx. 4.5 l
	Setting range	Approx. 3.5–7.5 l

#### Water pressure

<b>Water pressure min.</b>	15 kPa (0.15 bar)
<b>Water pressure max.</b>	1000 kPa (10 bar)

## 3 Handling

### 3.1 Assembly information

#### 3.1.1 Installation dimensions

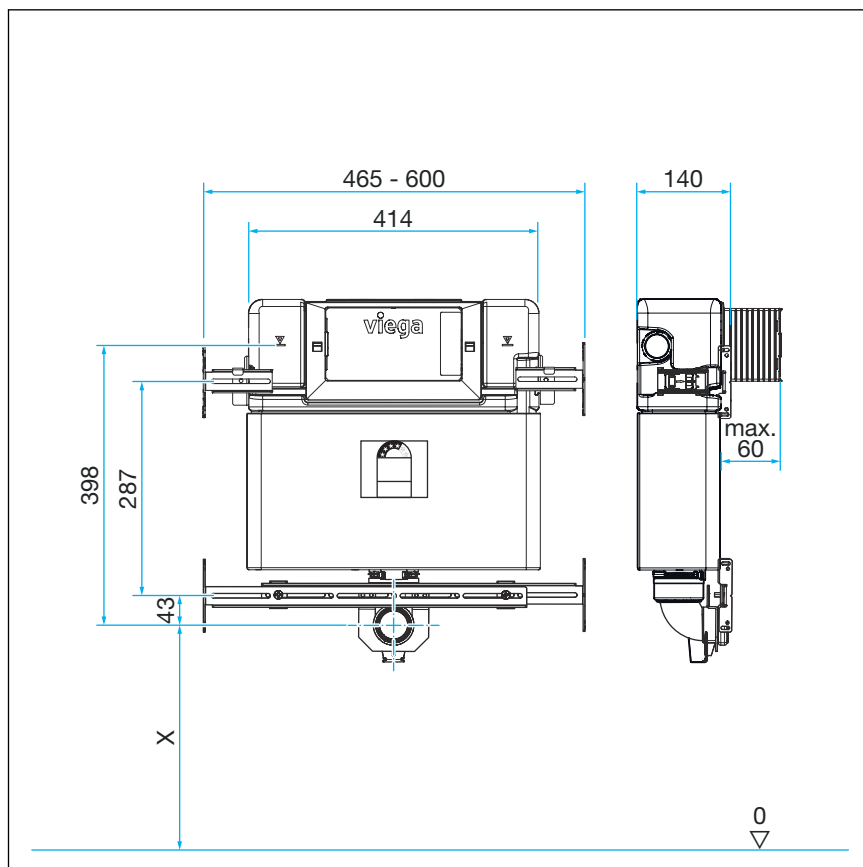
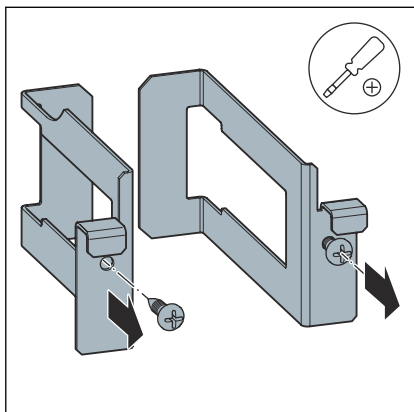


Fig. 2: Dimensional drawing

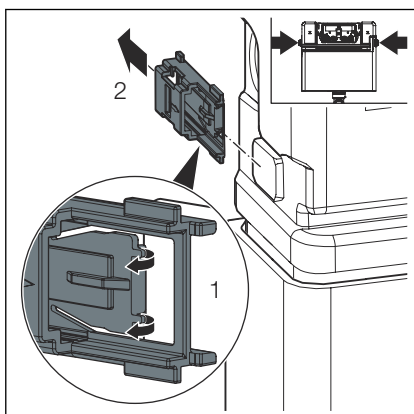


## 3.2 Assembly

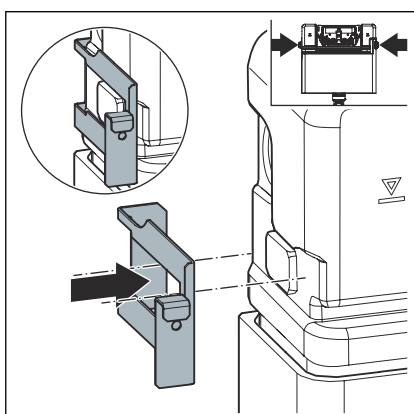
### 3.2.1 Mounting concealed cistern



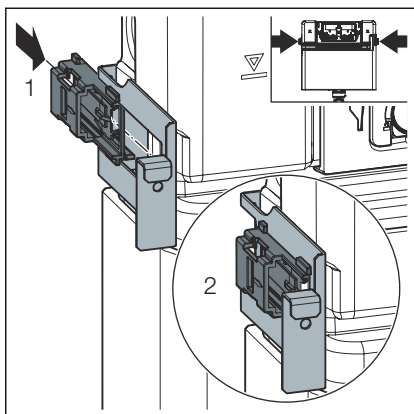
► Undo the screws on the mounting brackets.



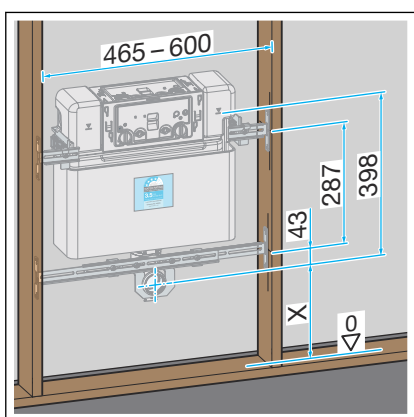
► Lift the tabs on the locking clips and undo the clips by sliding them off the cistern.



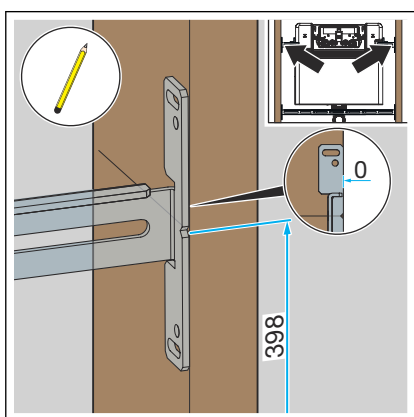
► Push the mounting brackets into the slots.



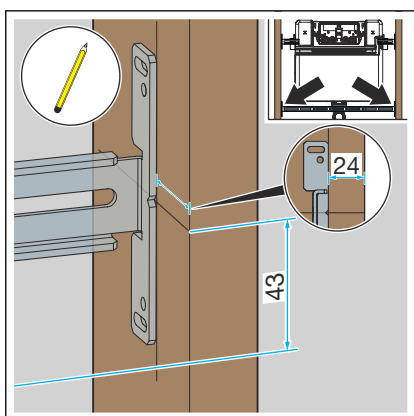
➤ Insert the locking clips.



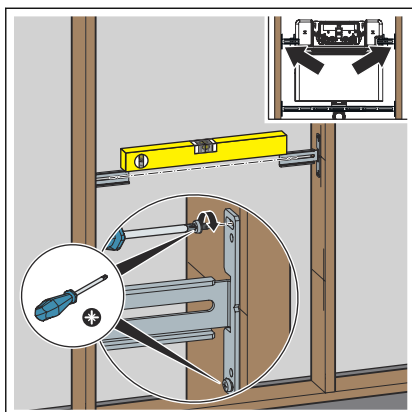
➤ Align the cistern in the stud frame.



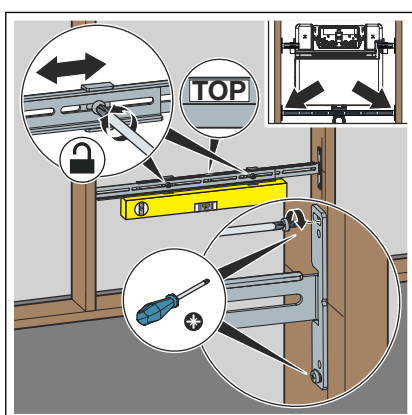
➤ Align the upper mounting frame in the stud frame.



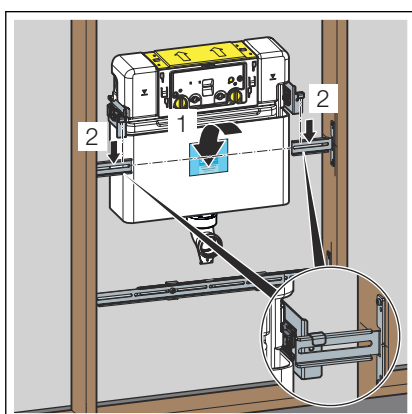
➤ Align the lower mounting frame in the stud frame.



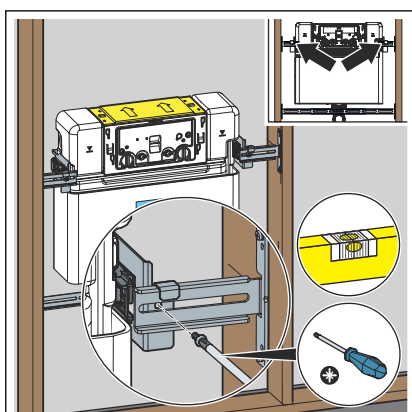
► Fix the upper mounting frame in the stud frame.



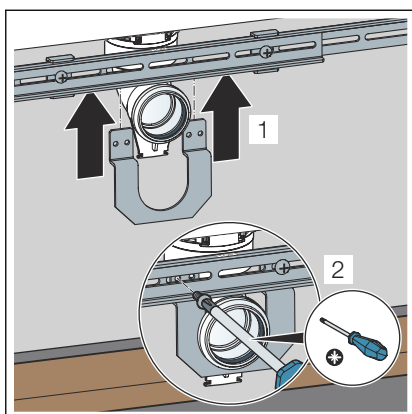
► Fix the lower mounting frame in the stud frame



► Fix the cistern to the upper mounting frame.

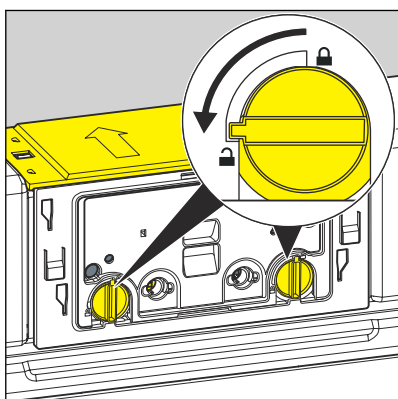


► Align the cistern in the centre of the upper mounting frame.

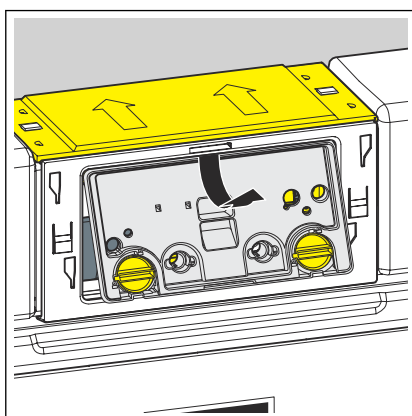


- Attach the flush pipe holder.

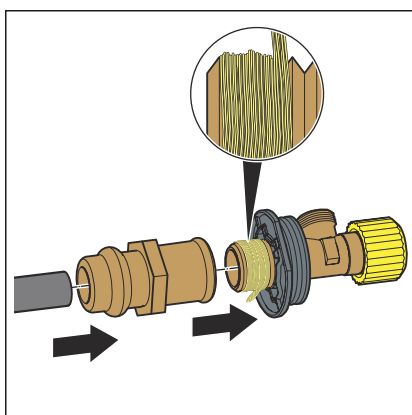
### 3.2.2 Connecting concealed cistern



- Turn the site protection panel lock 90° anti-clockwise.

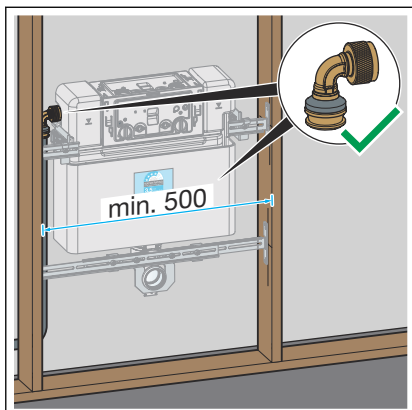


- Remove the site protection panel.

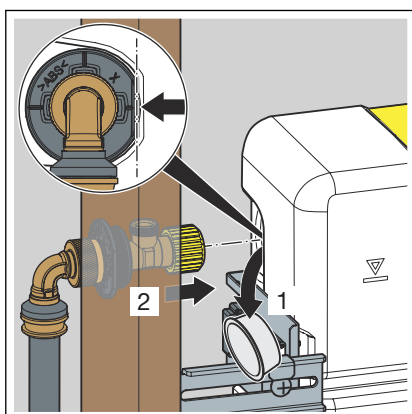


- Place the press connector onto the water inlet.
- Press the connection.
- Seal the threaded connectors of the corner valve.
- Screw the corner valve into the thread side of the press connector.

### Connection with adapter elbow

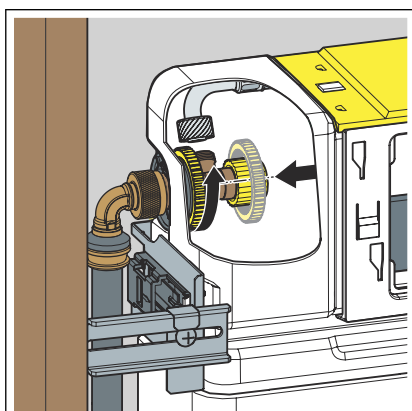


- If the width of the stud frame is greater than 500 mm, connection can be made using an adapter elbow.

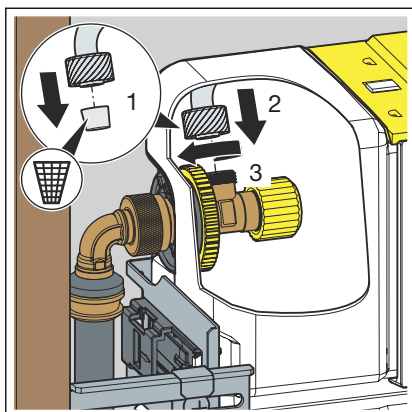


- Remove the plug.
- Insert the corner valve into the cistern.

**INFO!** Observe the proper fit of the corner valve.

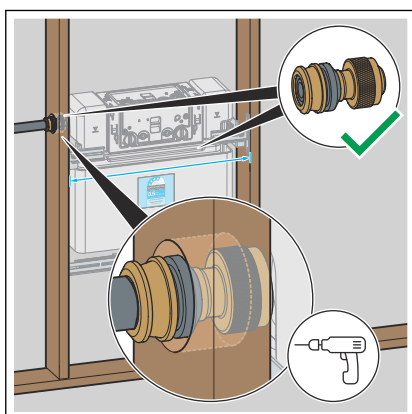


- Use the lock nut to screw the corner valve and the cistern to each other.

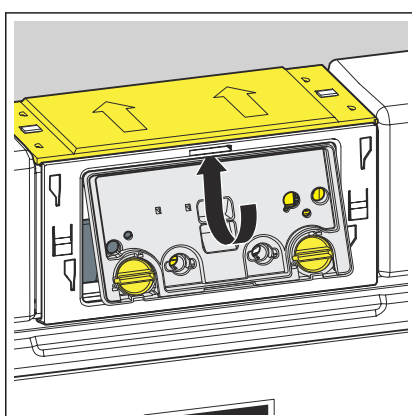


- Remove the protective cap from the flexible hose.
- Screw the flexible hose and the corner valve to each other (hand tight).

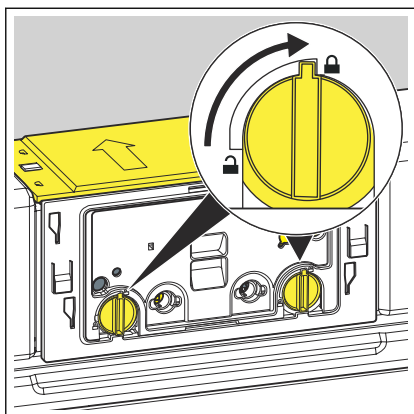
### Connection with adapter



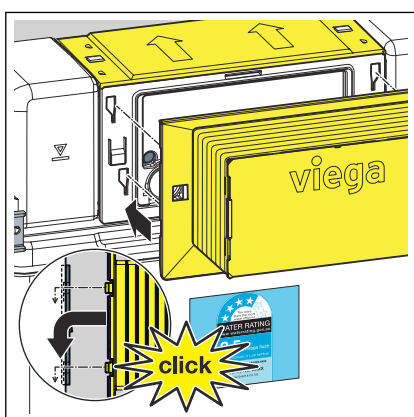
- If the width of the stud frame is too narrow, connection can be made using an adapter that goes through the stud frame.



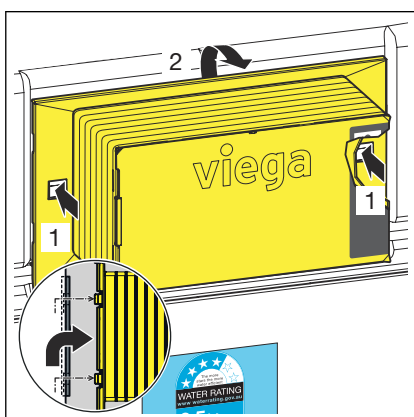
- Set the flush volume as applicable, ↪ **Chapter 3.2.4 'Setting the flush volume' on page 19.**
- Insert the site protection panel into the cistern.



► Turn the site protection panel's lock by 90° clockwise.

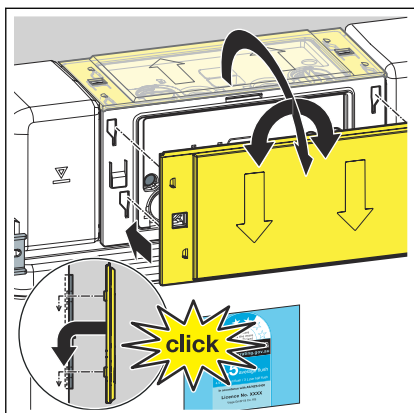


► Place the inspection shaft on the site protection panel.

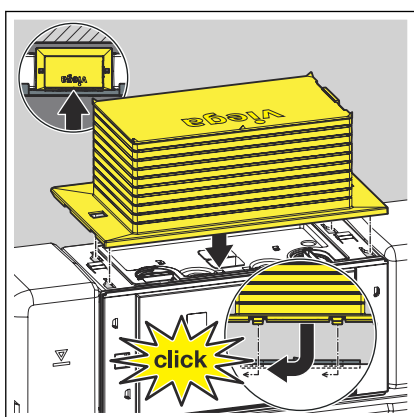


To remove the inspection shaft, press in the fixing clips at the side.

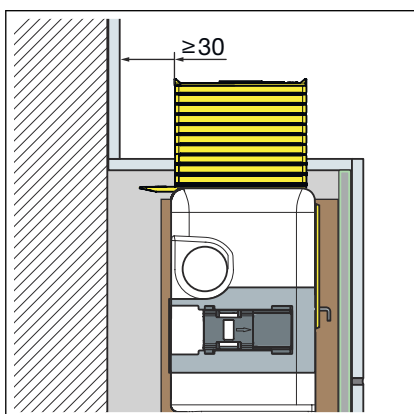
### Conversion of the actuation from above



- Remove the cover and insert at the front.



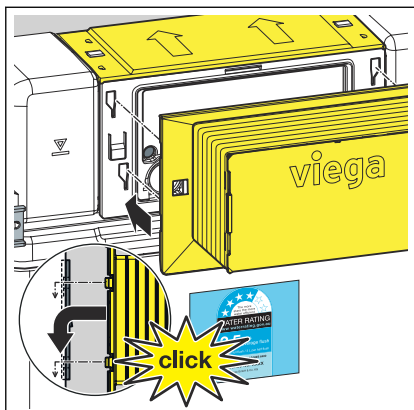
- Place the inspection shaft on the site protection panel.



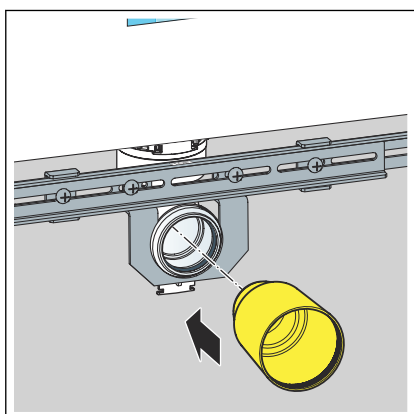
- For actuation from the top, maintain a minimum distance of 30 mm from the front edge of the tile to the shaft.



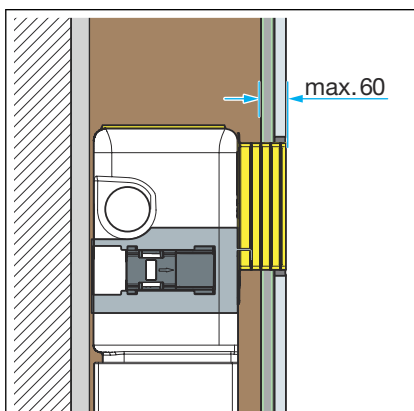
### 3.2.3 Setting up and cladding the concealed cistern



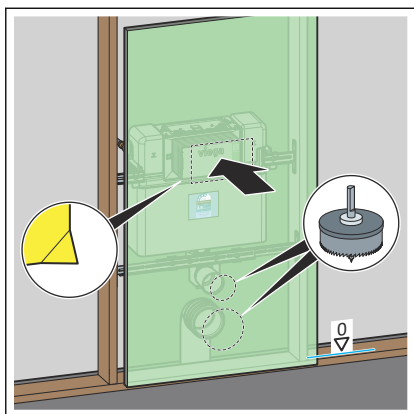
- Place the inspection shaft on the site protection panel.



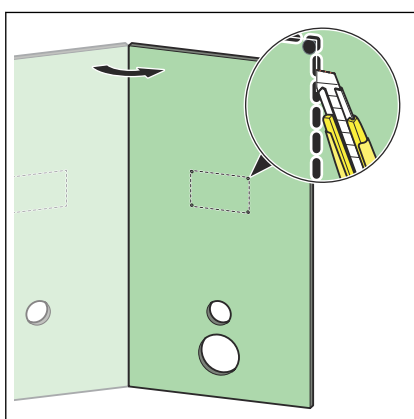
- Fit the protective plug of the flushing pipe elbow.



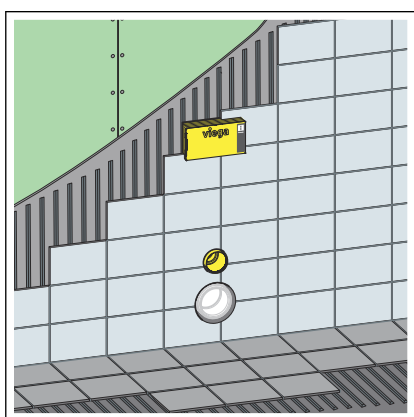
- The wall construction may be a maximum of 60 mm.



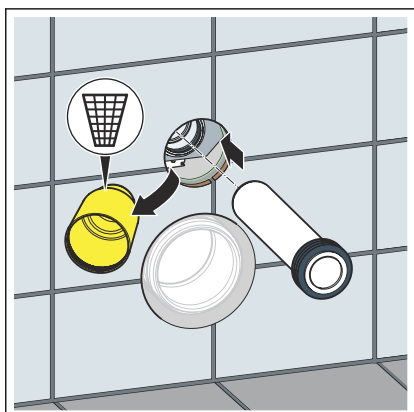
- Impress a suitable plasterboard cladding panel at the inspection shaft and at the site protection by applying gentle pressure.



- Cut out the recesses for the site protection and the inspection shaft.



- Clad the cistern with suitable plasterboard cladding panels and tile it.

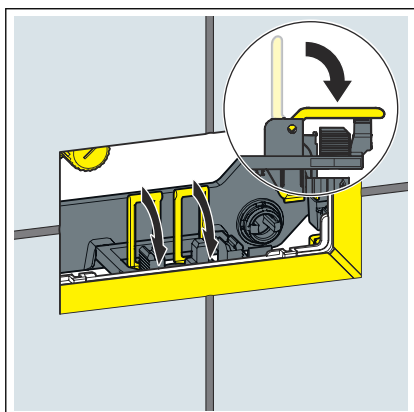


- Remove the site protection.
- Insert the flushing pipe.

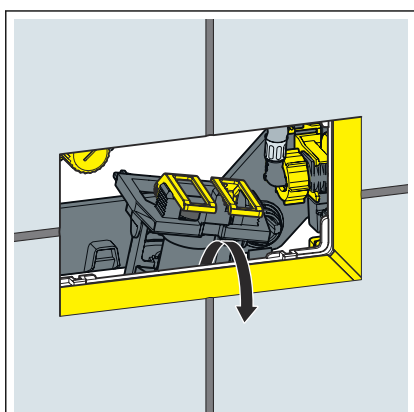
### 3.2.4 Setting the flush volume

Requirements:

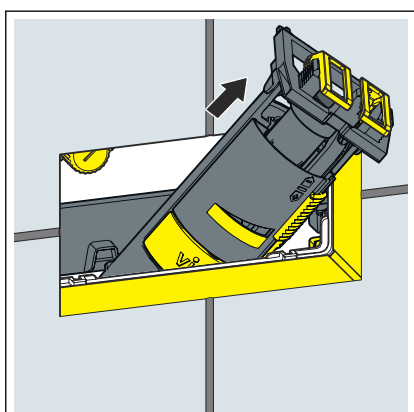
- The cistern is freely accessible.
- The water supply has been shut off.
- The ceramic has been mounted.
- Fold the tabs forward.

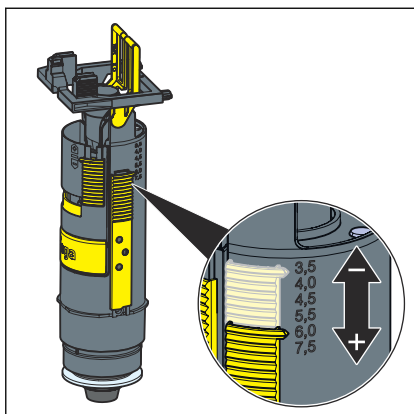


- Lift the drain valve.

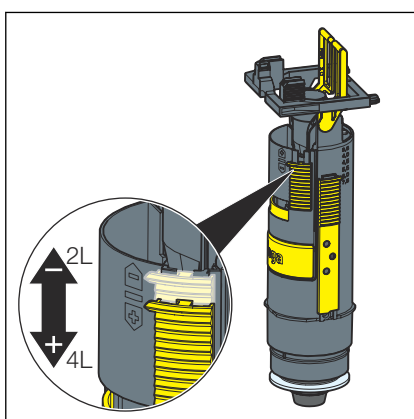


- Remove the drain valve through the revision opening.





► Set the large flush volume at the drain valve.

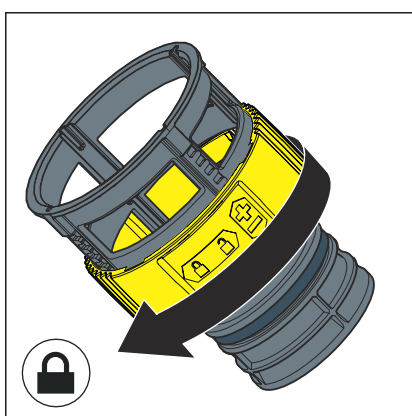
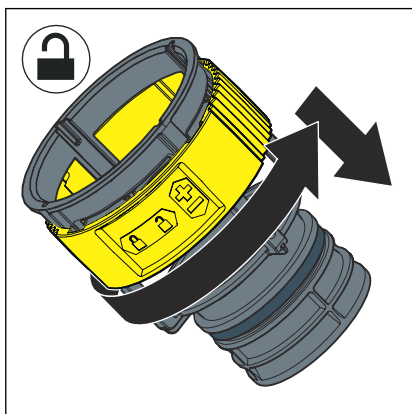


► Set the small flush volume at the drain valve.

## Setting the flush flow

Requirements:

- The drain valve has been dismantled.
- The flushing throttle has been removed.
- Unlock the flushing throttle.
- Set the flush flow at the throttle.



- Lock the flushing throttle.

## 3.3 Cleaning and maintenance

### Cleaning and maintenance of the concealed cistern

The concealed cistern is constantly under mechanical, chemical, and physical stress. For this reason, the components must be cleaned as required, and the drain and filling valve seals renewed.

In areas or regions with hard water due to high concentration of calcium or magnesium salts, there is the risk of limescale deposits developing on the filling and drain valves. The valves may have to be replaced, depending on the extent of the deposits.

## 3.4 Disposal

Separate the product and packaging materials (e. g. paper, metal, plastic or non-ferrous metals) and dispose of in accordance with valid national legal requirements.



**Viega Pty Limited**  
support@viega.com.au  
viega.com.au

AU • 2022-08 • VPN210704

