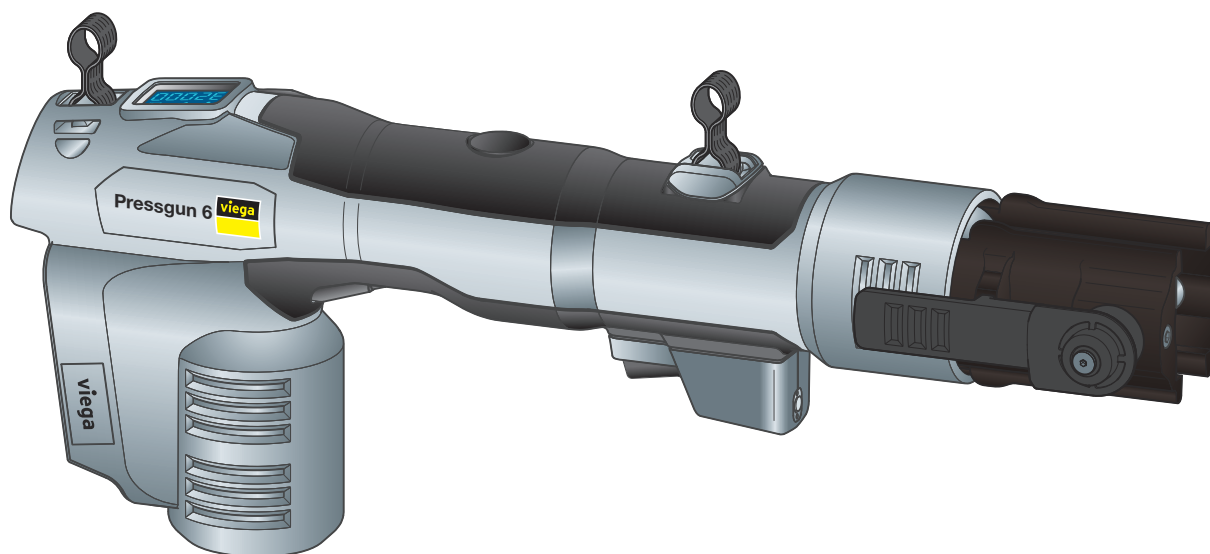


## Instructions for Use

# Pressgun 6 press machine with battery



for all Viega system press jaws, rings, chains and (hinged) adapter jaws with PT2 interface

**Model**  
2295.71

**viega**

# Table of contents

|          |  |           |
|----------|--|-----------|
| <b>1</b> | <b>About these instructions for use</b>                    | <b>3</b>  |
|          | 1.1 Target groups  | 3         |
|          | 1.2 Labelling of advisory text and safety symbols          | 3         |
|          | 1.3 About this translated version                          | 5         |
|          | 1.4 Note on use of abbreviated terms                       | 5         |
| <b>2</b> | <b>Product information</b>                                 | <b>6</b>  |
|          | 2.1 Standards and regulations                              | 6         |
|          | 2.2 General safety advice for electrical tools             | 6         |
|          | 2.3 Intended use   | 10        |
|          | 2.3.1 Areas of application                                 | 10        |
|          | 2.4 Product description                                    | 10        |
|          | 2.4.1 Overview   | 10        |
|          | 2.4.2 Technical data                                       | 13        |
|          | 2.4.3 Compatible accessories                               | 14        |
|          | 2.4.4 Operating mode                                       | 15        |
|          | 2.4.5 Control elements and indicators at the press machine | 15        |
| <b>3</b> | <b>Handling</b>  | <b>17</b> |
|          | 3.1 Transport and storage                                  | 17        |
|          | 3.2 Commissioning  | 18        |
|          | 3.3 Carrying out the pressing process                      | 19        |
|          | 3.4 Aborting the pressing process                          | 21        |
|          | 3.5 Troubleshooting  | 22        |
|          | 3.6 Care and maintenance                                   | 23        |
|          | 3.6.1 Cleaning the press tools                             | 23        |
|          | 3.6.2 Performing checks                                    | 24        |
|          | 3.6.3 Inspection and maintenance                           | 24        |
|          | 3.7 Disposal   | 25        |
| <b>4</b> | <b>Appendix</b>  | <b>27</b> |
|          | 4.1 Warranty   | 27        |
|          | 4.2 Declaration of Conformity                              | 28        |
|          | 4.3 Service partners                                       | 29        |

# 1 About these instructions for use

Trade mark rights exist for this document; for further information, go to [viega.com/legal](http://viega.com/legal).

These instructions are a translation of the original operating instructions.

## 1.1 Target groups

The information in these operating instructions is directed at the following groups of people:

- Heating and plumbing experts and trained personnel

This product must not be used by persons who do not have the aforementioned training or qualifications.

## 1.2 Labelling of advisory text and safety symbols

Warning and advisory texts are set aside from the remainder of the text and are labelled with the relevant pictographs.



### **DANGER!**

This symbol warns of possible life-threatening injury.



### **WARNING!**

This symbol warns of possible serious injury.



### **CAUTION!**

This symbol warns of possible injury.



### **NOTICE!**







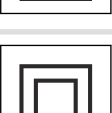
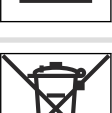
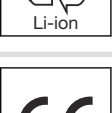

This symbol warns of possible damage to property.

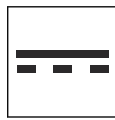


This symbol gives additional information and hints.

## Warning signs and symbols

Pay attention to the warning signs and symbols on the press machine and accessories:

|   |  |
|---|--|
|    | <p><b>General hazard symbol</b></p> <p>Comply with all instructions marked with this symbol to avoid injuries or danger to life.</p>               |
|    | <p><b>Hazard of crushing your hands, fingers, and other body parts</b></p>   |
|    | <p><b>Hazard of electric shock</b></p>   |
|    | <p><b>Observe the operating instructions</b></p> <p>Read the operating and safety instructions carefully prior to the commissioning procedure.</p> |
|  | <p><b>Wear eye protection</b></p> <p>Wear safety glasses with side protection to avoid injury.</p>   |
|  | <p>Use electrical tools and accessories only in areas protected from moisture.</p>   |
|  | <p>Protection class II (double insulated casing)</p>   |
|  | <p>The marked product must not be disposed of as household waste.</p>  |
|  | <p>Recyclable rechargeable lithium ion batteries, see <a href="#">Chapter 3.7 'Disposal'</a> on page 25</p>  |
|  | <p>CE marking: Product safety in Europe</p>  |
|  | <p>Australian test mark</p>  |



Direct voltage V d.c.

### 1.3 About this translated version

This instruction for use contains important information about the choice of product or system, assembly and commissioning as well as intended use and, if required, maintenance measures. The information about the products, their properties and application technology are based on the current standards in Europe (e.g. EN) and/or in Germany (e.g. DIN/DVGW).

Some passages in the text may refer to technical codes in Europe/Germany. These should serve as recommendations in the absence of corresponding national regulations. The relevant national laws, standards, regulations, directives and other technical provisions take priority over the German/European directives specified in this manual: The information herein is not binding for other countries and regions; as said above, they should be understood as a recommendation.

### 1.4 Note on use of abbreviated terms

For reading comfort, the following abbreviated terms are used in these instructions for use:

| Term                                     | Abbreviated form  |
|--|---|
| Viega system press machine<br>Pressgun 6 | Press machine   |
| Viega system press jaws                  | Press jaws  |
| Viega system press rings                 | Press rings   |
| Viega system press tool                  | Press tool<br>Combinations of for example: <ul style="list-style-type: none"> <li>■ Press machine and press jaws</li> <li>■ Press machine with hinged adapter jaws and press ring or press chain</li> <li>■ Press machine and press-in attachment tool</li> </ul> |

| Term                             | Abbreviated form     |
|----------------------------------|----------------------|
| Lithium ion rechargeable battery | Rechargeable battery |
| Battery charger                  | Charger              |

## 2 Product information

### 2.1 Standards and regulations

The following standards and regulations apply to Germany / Europe. National regulations can be found on the relevant web site of your country at [viega.com.au/standards](http://viega.com.au/standards)

#### Regulations from section: Disposal

| Scope / Notice                                       | Regulations applicable in Germany |
|--|-----------------------------------|
| Disposal of old electrical and electronic appliances | 2012/19/EU                        |

### 2.2 General safety advice for electrical tools

This section contains general safety instructions for numerous different products and electrical tools. Consequently, not every safety instruction will apply to this tool.



**WARNING!**  
**Read all safety warnings, instructions, illustrations and specifications provided with this power tool.**

Failure to follow all instructions listed below may result in electric shock, fire and/or serious injury.

#### Save all warnings and instructions for future reference.

The term “power tool” in the warnings refers to your mains-operated (corded) power tool or battery-operated (cordless) power tool.

#### Work area safety

- a) **Keep work area clean and well lit.**  
*Cluttered or dark areas invite accidents.*
- b) **Do not operate power tools in explosive atmospheres, such as in the presence of flammable liquids, gases or dust.**  
*Power tools create sparks which may ignite the dust or fumes.*
- c) **Keep children and bystanders away while operating a power tool.**  
*Distractions can cause you to lose control.*

## Electrical safety

**a) Power tool plugs must match the outlet. Never modify the plug in any way. Do not use any adapter plugs with earthed (grounded) power tools. Unmodified plugs and matching outlets will reduce risk of electric shock.**

**b) Avoid body contact with earthed or grounded surfaces, such as pipes, radiators, ranges and refrigerators.**

*There is an increased risk of electric shock if your body is earthed or grounded.*

**c) Do not expose power tools to rain or wet conditions.**

*Water entering a power tool will increase the risk of electric shock.*

**d) Do not abuse the cord. Never use the cord for carrying, pulling or unplugging the power tool. Keep cord away from heat, oil, sharp edges or moving parts.**

*Damaged or entangled cords increase the risk of electric shock.*

**e) When operating a power tool outdoors, use an extension cord suitable for outdoor use.**

*Use of a cord suitable for outdoor use reduces the risk of electric shock.*

**f) If operating a power tool in a damp location is unavoidable, use a residual current device (RCD) protected supply.**

*Use of an RCD reduces the risk of electric shock.*

## Personal safety

**a) Stay alert, watch what you are doing and use common sense when operating a power tool. Do not use a power tool while you are tired or under the influence of drugs, alcohol or medication.**

*A moment of inattention while operating power tools may result in serious personal injury.*

**b) Use personal protective equipment. Always wear eye protection.**

*Protective equipment such as a dust mask, non-skid safety shoes, hard hat or hearing protection used for appropriate conditions will reduce personal injuries.*

**c) Prevent unintentional starting. Ensure the switch is in the off-position before connecting to power source and/or battery pack, picking up or carrying the tool.**

*Carrying power tools with your finger on the switch or energising power tools that have the switch on invites accidents.*

**d) Remove any adjusting key or wrench before turning the power tool on.**

*A wrench or a key left attached to a rotating part of the power tool may result in personal injury.*

**e) Do not overreach. Keep proper footing and balance at all times.**

*This enables better control of the power tool in unexpected situations.*

**f) Dress properly. Do not wear loose clothing or jewellery. Keep your hair and clothing away from moving parts.**

*Loose clothes, jewellery or long hair can be caught in moving parts.*

**g) If devices are provided for the connection of dust extraction and collection facilities, ensure these are connected and properly used.**

*Use of dust collection can reduce dust-related hazards.*

**h) Do not let familiarity gained from frequent use of tools allow you to become complacent and ignore tool safety principles.**

*A careless action can cause severe injury within a fraction of a second.*

## Power tool use and care

**a) Do not force the power tool. Use the correct power tool for your application.**

*The correct power tool will do the job better and safer at the rate for which it was designed.*

**b) Do not use the power tool if the switch does not turn it on and off.**

*Any power tool that cannot be controlled with the switch is dangerous and must be repaired.*

**c) Disconnect the plug from the power source and/or remove the battery pack, if detachable, from the power tool before making any adjustments, changing accessories, or storing power tools.**

*Such preventive safety measures reduce the risk of starting the power tool accidentally.*

**d) Store idle power tools out of the reach of children and do not allow persons unfamiliar with the power tool or these instructions to operate the power tool.**

*Power tools are dangerous in the hands of untrained users.*

**e) Maintain power tools and accessories. Check for misalignment or binding of moving parts, breakage of parts and any other condition that may affect the power tool's operation. If damaged, have the power tool repaired before use.**

*Many accidents are caused by poorly maintained power tools.*

**f) Keep cutting tools sharp and clean.**

*Properly maintained cutting tools with sharp cutting edges are less likely to bind and are easier to control.*

**g) Use the power tool, accessories and tool bits etc. in accordance with these instructions, taking into account the working conditions and the work to be performed.**

*Use of the power tool for operations different from those intended could result in a hazardous situation.*

**h) Keep handles and grasping surfaces dry, clean and free from oil and grease.**

*Slippery handles and grasping surfaces do not allow for safe handling and control of the tool in unexpected situations.*

## Battery tool use and care

**a) Recharge only with the charger specified by the manufacturer.**

*A charger that is suitable for one type battery pack may create a risk of fire when used with another battery pack.*

**b) Use power tools only with specifically designated battery packs.**

*Use of any other battery packs may create a risk of injury and fire.*

**c) When battery pack is not in use, keep it away from other metal objects, like paper clips, coins, keys, nails, screws or other small metal objects, that can make a connection from one terminal to another.**

*Shorting the battery terminals together may cause burns or a fire.*



**d) Under abusive conditions, liquid may be ejected from the battery; avoid contact. If contact accidentally occurs, flush with water. If liquid contacts eyes, additionally seek medical help.**

*Liquid ejected from the battery may cause irritation or burns.*

**e) Do not use a battery pack or tool that is damaged or modified.**

*Damaged or modified batteries may exhibit unpredictable behaviour resulting in fire, explosion or risk of injury.*

**f) Do not expose a battery pack or tool to fire or excessive temperature.**

*Exposure to fire or temperature above 130 °C may cause explosion.*

**g) Follow all charging instructions and do not charge the battery pack or tool outside the temperature range specified in the instructions.**

*Charging improperly or at temperatures outside the specified range may damage the battery and increase the risk of fire.*

## Service

**a) Have your power tool serviced by a qualified repair person using only identical replacement parts.**

*This will ensure that the safety of the power tool is maintained.*

**b) Never service damaged battery packs.**

*Service of battery packs should only be performed by the manufacturer or authorized service providers.*

## Basic safety rules

**a) Use the correct tools.**

*Only use the tools and accessories listed in the operating instructions. Do not use electric tools for purposes or work they are not intended for.*

**b) Secure the workpiece.**

*Use clamping devices or a vice to hold the workpiece. It is held more securely than it would be by hand and both your hands are free to operate the tool.*

**c) Leave protective equipment in place.**

**d) Hand-held devices must not to be used as stationary equipment.**

**e) Do not hold the device in the compression area.**

**f) Do not hold any body parts or foreign objects between the press jaws when activating the pressing cycle. Do not hold the jaw lever during the pressing cycle. Danger of crushing!**

*There is a danger of crushing the Fingers and hands.*

**g) Observe the safety instructions for the cleaning and corrosion protection agents used by you.**

**h) Ensure that the workpiece is not under tension.**

## 2.3 Intended use

### 2.3.1 Areas of application

The Viega system press machine Pressgun 6 is intended for pressing press connectors into the respective piping systems. In combination with Viega system press jaws, the press tool is suitable for use with all Viega plumbing and heating installation systems up to and including dimension 108 as well as dimension  $\frac{3}{8}$  up to 2 inches.

The press machine is designed for three pressings per minute (for dimensions 50 or 54) and has a temperature monitor as a protective mechanism. If the operating temperature is significantly exceeded, the device will switch off and will need to cool down.

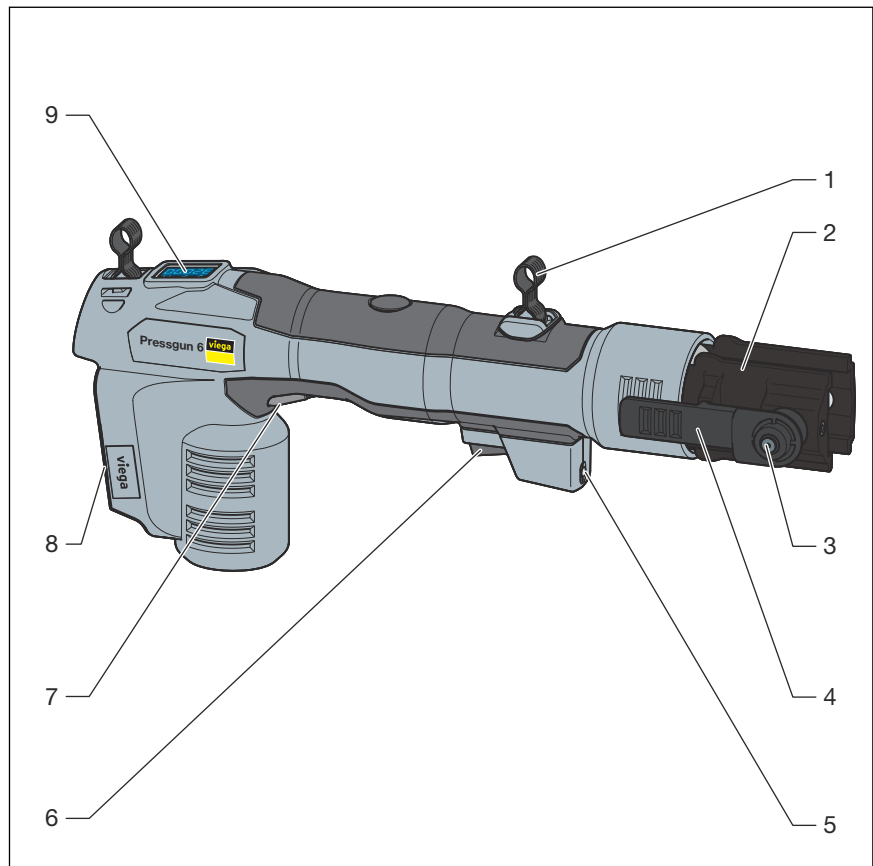
## 2.4 Product description

### 2.4.1 Overview

#### Scope of delivery

- Pressgun 6
- Lithium ion rechargeable battery (18 V / 2.5 Ah)
- Battery charger
- Transport case with case inlay (with space saver for an additional battery)
- Operating instructions for press machine
- Operating instructions for charger and rechargeable battery

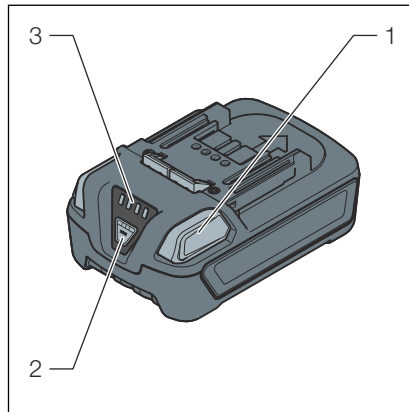
## Press machine



**Fig. 1: Overview**

- 1 Fixing lug for carrying strap
- 2 Rotatable cylinder head with press jaw fixture
- 3 Retaining bolt
- 4 Retaining bolt lever
- 5 Status LED
- 6 Start button
- 7 Reset button
- 8 Rechargeable battery compartment
- 9 Display

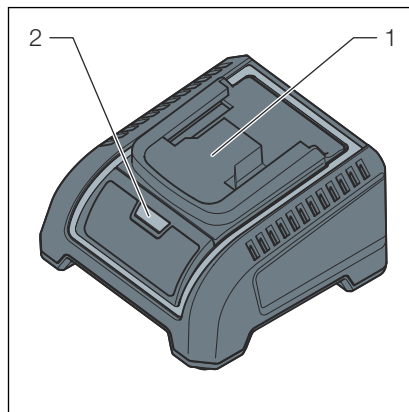
### Lithium ion rechargeable battery



**Fig. 2: Control elements on the lithium ion rechargeable battery**

- 1 Rechargeable battery release
- 2 Button for checking charging status
- 3 Charging status indicator

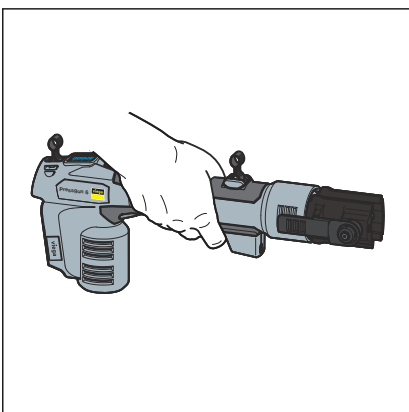
### Battery charger



**Fig. 3: Control elements on the battery charger**

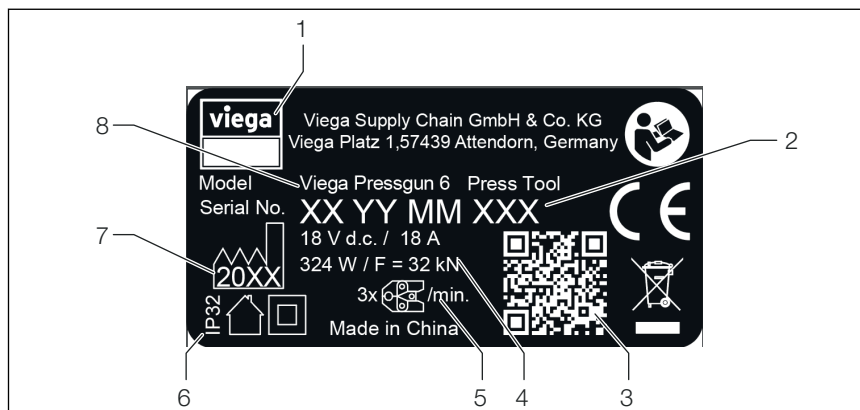
- 1 Rechargeable battery compartment
- 2 Status LED

### Gripping surfaces on the press machine



- To prevent injury during the pressing, hold the press machine at the gripping surface provided as shown.

## Data on the specification plate



**Fig. 4: Specification plate**

- 1 Manufacturer logo with address
- 2 Article number / serial number
- 3 QR code (see specification plate)
- 4 Voltage (V), current (A), nominal output (W), nominal power (kN)
- 5 Maximum three pressings per minute ( $\leq$  DN 54)
- 6 Protection type
- 7 Year of manufacture
- 8 Type designation for the press machine

For explanations on the symbols, see [Chapter 1.2 'Labelling of advisory text and safety symbols'](#) on page 3

## 2.4.2 Technical data

### Press machine

|                           |                                    |    |
|---------------------------|------------------------------------|----|
| Nominal output            | 324 W                              |    |
| Voltage                   | 18 V DC                            |    |
| Current                   | 18 A                               |    |
| Machine monitoring        | electronic                         |    |
| Acoustic power level max. | 81.2 dB(A)                         | 1) |
| Sound pressure on ear     | 70.2 dB(A)                         | 1) |
| Oscillation level         | < 2.5 m/s <sup>2</sup>             | 2) |
| Power transmission        | hydraulic                          |    |
| Thrust on piston          | 32 kN                              |    |
| Switch-on duration        | Maximum three pressings per minute |    |

1) measurement uncertainty 3 dB(A)

2) measurement uncertainty 1.5 m/s<sup>2</sup>

|                                     |           |
|-------------------------------------|-----------|
| Permitted operating temperature     | -10–50 °C |
| Weight without rechargeable battery | 3500 g    |

<sup>1)</sup> measurement uncertainty 3 dB(A)

<sup>2)</sup> measurement uncertainty 1.5 m/s<sup>2</sup>



### NOTICE!

Wear hearing protection.

The specified oscillation emission value was measured in accordance with a standardised test procedure and can be used to compare the machine with another device. The specified oscillation emission value can also be used for an initial assessment of the intermittent duty.

When the device is actually being used, the oscillation emission value may differ from specified value, depending on the manner in which the device is used. Depending on the actual conditions of use (intermittent duty), it may be necessary to specify safety measures to protect the user.

## 2.4.3 Compatible accessories

Only use original accessories (e.g. rechargeable batteries) with the Viega press tools, as only these were developed and adapted specifically for use with the Viega press connector systems. Viega does not check whether accessories from other manufacturers are suitable for use with Viega press tools.

| Name                               | Model   | Note   |
|------------------------------------|---------|--|
| Rechargeable battery 2.5 Ah / 18 V | 2488.63 | In combination with battery charger model 2488.65<br>Generation Pressgun 6     |
| Rechargeable battery 5 Ah / 18 V   |         |  |
| Rechargeable battery 2 Ah / 18 V   | 2488.1  | In combination with battery charger model 2488.3<br>Generation Pressgun 4B / 5 |
| Rechargeable battery 4 Ah / 18 V   |         |  |
| mains adapter 230 V                | 0788.2  | –  |

## 2.4.4 Operating mode

The Viega Pressgun 6 is an electro-hydraulically operated press machine. The press machine is switched on by actuating the Start button once. To initiate a pressing, the Start button must then be pressed and held down. The hydraulically operated roller head moves forwards into the press jaw and closes it with a power of 32 kN.

The Pressgun 6 operates with a voltage of 18 V DC.

### Automatic positive control process

The press machine operates by a positively controlled process. This means:

- The Start button must be pressed until a minimum force is reached. The automatic process completes the pressing from this point until the entire press stroke has been carried out. The roller head then returns to its starting position.
- Until the minimum force is reached, even when the Start button is temporarily released, the roller head of the press machine stays in the position reached.

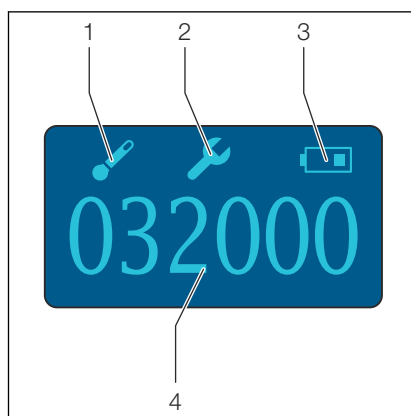
The pressing can be continued or aborted, see [Chapter 3.4 'Aborting the pressing process'](#) on page 21.

### Automatic standby mode

If the press machine is not used for 150 seconds, it will automatically go into standby mode.

## 2.4.5 Control elements and indicators at the press machine

### Display



- 1 Temperature symbol\*
- 2 Maintenance symbol\*
- 3 Battery indicator
- 4 Number of pressings

\* This symbol will be shown if there is a malfunction; see also [Chapter 3.5 'Troubleshooting'](#) on page 22.

## Status LED

The LED indicates the current status of the press machine.

| LED indicators  | Explanation   |
|---|---|
| The LED is continuously illuminated.                          | The press machine is switched on.   |
| The LED flashes continuously.                                 | The battery needs charging.   |
| The LED flashes twice then pauses. The display repeats.       | The press machine is outside the permitted temperature range (-10°C to 50°C). |
| The LED flashes three times then pauses. The display repeats. | 30000 strokes have been reached or exceeded. Maintenance is due.              |
|   | The press machine has a malfunction.  |

## Start button

Use the Start button to turn on the press machine (standby mode). Press the Start button again to trigger a pressing.

## Reset button

If a malfunction occurs and the press machine fails to complete the pressing, press the Reset button to return the roller head to its initial position; see [Chapter 3.4 'Aborting the pressing process'](#) on page 21.

## Rotatable cylinder head

The press jaw fixture in the front part of the cylinder head is 270° rotatable to allow for flexible alignment of the press jaws to the pressing point.



## 3 Handling

### 3.1 Transport and storage



**NOTICE!**  
**Risk of damage to and malfunctioning of the press machine due to improper use!**

Use a transport case for storage and transport.



**NOTICE!**  
**Transporting and storing the rechargeable battery**

Observe the manufacturer's instructions for transport and storage.



**DANGER!**  
**Risk of crushing!**

Risk of getting your fingers and hands crushed.

- Store the press machine out of reach of children and unauthorised persons.

Observe the following instructions for transport and storage of the press machine:

- Disconnect the press machine from the power supply (rechargeable battery).
- Store the press machine in a dry, frost-free place in the case provided.

Protect the press machine and accessories from the following external influences:

- Impacts
- Moisture and humidity
- Dust and dirt
- Frost and extreme heat
- Chemical solutions and vapours

## 3.2 Commissioning



### **CAUTION!** Risk of crushing by operating the press machine without press jaws!

If no press jaw is inserted, your fingers may get caught in the danger zone and get crushed when the press machine starts up.

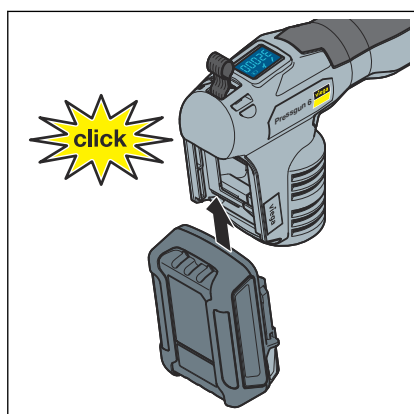
- Do not use the press machine without a press jaw inserted.
- Do not put your fingers in the danger zone.



### **CAUTION!** Risk of device damage due to failure to fully lock the retaining bolt!

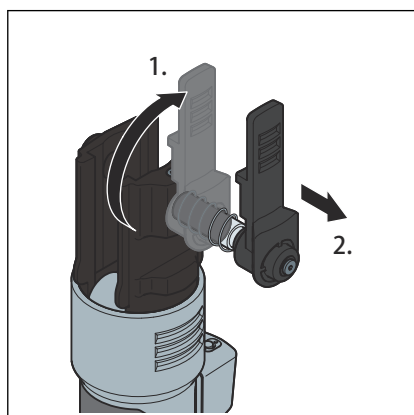
If the retaining bolt is not fully inserted and locked, the cylinder may tear during pressing.

- Ensure that the retaining bolt is locked before starting pressing.

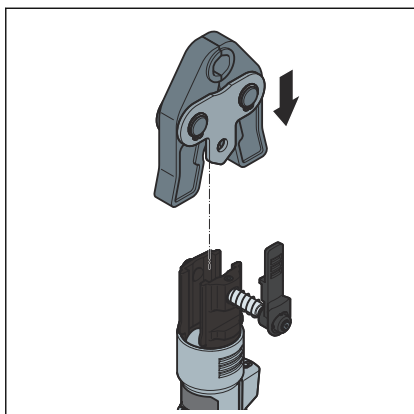


- Check the scope of delivery.
- Insert the fully charged lithium ion rechargeable battery into the mounting bracket at the handle.

**INFO!** Press the charging status button to check the battery charge level. The display extinguishes as soon as the button is released again.

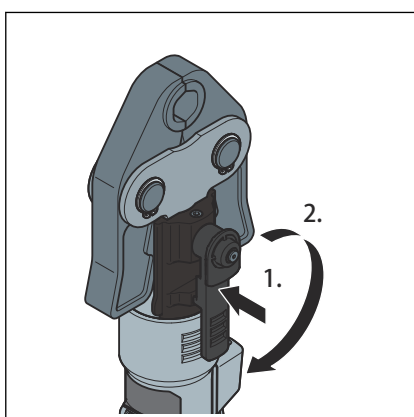


- Turn the retaining bolt lever of the retaining bolt by 180° to release it from the lock position.
- Pull out the retaining bolt.



- Insert the press jaw in the press jaw fixture of the cylinder head.

**INFO!** The figures show the typical use of a press jaw. Use the hinged adapter jaws in the same way.



- Slide the retaining bolt in as far as it will go and turn the retaining bolt lever by 180° to return it to its snap-in position.

- Press the Start button.

☐ The green LED is lit. The press machine is ready for operation.

### 3.3 Carrying out the pressing process



#### **CAUTION!** Risk of crushing due to improper use!

- Do not start the press machine without a press jaw inserted.
- Do not reach into the area of the moving roller head or press jaws during pressing.



#### **NOTICE!** Risk of property damage due to damaged press jaws!

Using a damaged, incorrectly dimensioned, or worn press jaw may result in an incorrect pressing.

- Check the press jaw before use for any visible defect, and if applicable replace the press jaw.
- Only use press jaws that are the right dimension and are compatible with the press connector system.

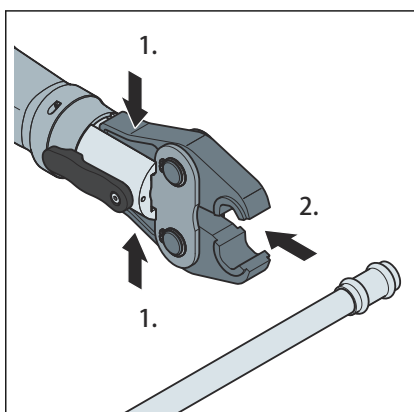
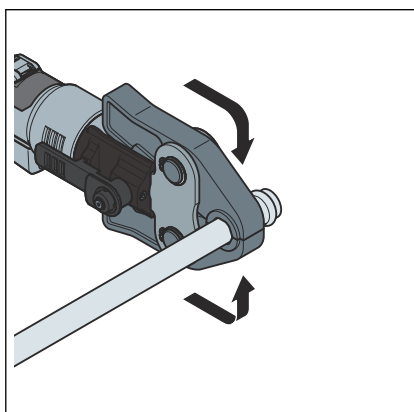
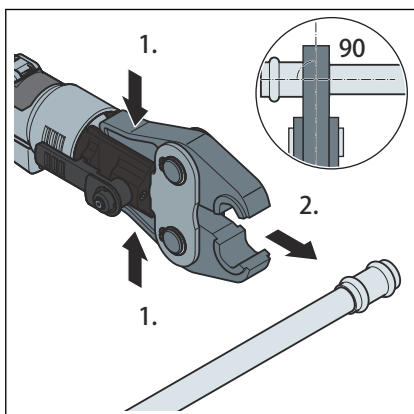


The press jaw must be able to lock properly during pressing.

- Ensure that there is enough space on the press point.
- Keep the press jaw contour and the area around the press point free from dirt and any objects that could hinder complete pressing.

Requirements:

- The press machine is ready for operation, the green LED is illuminated.
- A press jaw has been correctly inserted.
- Check whether the nominal width of the press connector matches the nominal width of the press jaw.
- Fit the press machine with the press jaw inserted accurately and at a right angle to the pipe axis on the press connector.



- Keep the Start button pressed until the automatic process starts.
  - Once the press machine creates the press force, it automatically completes pressing from this point until the entire press stroke has been carried out.
- After full retraction of the roller head, open the press jaw and loosen it from the press connector.



If a malfunction occurs and the press machine fails to complete the pressing, press the Reset button to return the roller head to its initial position.

Then remove the incompletely pressed press connector from the installation and use a new press connector.

### 3.4 Aborting the pressing process

A pressing can be interrupted in the following situations:

- The roller head has not yet touched the press jaw. The press machine has not yet built up any pressing force.
- There is a malfunction. The press machine cannot complete the pressing.
- Release the Start button to interrupt the pressing.
- Actuate the Reset button to return the roller head to its initial position.

## 3.5 Troubleshooting

In case of malfunction, check the following potential causes:

| Fault   | Cause   | Solution  |
|---|---|---|
| The press machine is not ready for operation after the Start button is pressed.   | The battery is fully discharged or faulty.                    | Use a fully charged battery.  |
|   | The battery is not correctly inserted.                        | Check it is correctly located in the mounting bracket.  |
| The press machine switches off during a pressing and the LED is flashing.   | The battery is almost flat.                                   | Use a fully charged battery.  |
| <p><b>The LED flashes twice then pauses, the display repeats.</b></p> <p><b>The temperature symbol in the display is illuminated.</b></p> <p>The press machine does not carry out pressing.</p>       | The press machine is outside the permitted temperature range. | Bring the press machine and the rechargeable battery to the recommended temperature range in a well-ventilated environment. |
| <p><b>The LED flashes three times then pauses, the display repeats.</b></p> <p><b>The maintenance symbol in the display is illuminated.</b></p> <p>The press machine works.</p>                       | 30000 strokes have been reached or exceeded.                  | Maintenance is due.<br>The safety shutdown will occur after a further 2000 pressings.<br>**                                 |
| <p><b>The LED flashes three times then pauses, the display repeats.</b></p> <p><b>The maintenance symbol in the display is illuminated.</b></p> <p>The press machine does not carry out pressing.</p> | 32000 strokes have been reached.                              | The press machine has activated the safety shutdown function.<br>**   |

\* Remove the incorrectly or incompletely pressed press connector from the installation.

\*\* Send the press machine to your nearest service partner for inspection and maintenance.

| Fault   | Cause  | Solution   |
|---|--|--|
| After pressing, the press jaw cannot be opened.                       | The pressing was unable to be completed.   | Press the Reset button and remove the press jaw from the press connector.<br><br>Check the press jaw and have repaired as required.<br><br>Repeat the pressing*. |
| The press connector is incorrectly pressed.                           | The press jaw dimension does not match the press connector.                      | Use a press jaw that matches the press connection dimension.   |
|   | The press jaw was not positioned square to the pipe axis on the press connector. | Make sure that the press jaw is positioned square to the pipe axis on the press connector.<br><br>Repeat the pressing*.  |
|   | The press contour is incorrect.  | Check the press jaw and have repaired as required.<br><br>Repeat the pressing* with an operational press jaw.  |
|   | The press machine has a fault.   | **   |
| Oil escapes from the press machine.                                   | A seal in the casing is faulty or there is a mechanical problem.                 | **   |
| The motor runs, but the press machine does not complete the pressing. | The oil level is too low.  |  |

\* Remove the incorrectly or incompletely pressed press connector from the installation.

\*\* Send the press machine to your nearest service partner for inspection and maintenance.

## 3.6 Care and maintenance

The tools are subject to normal wear and tear; for this reason, they must be maintained in regular intervals. Only service partners authorised by Viega may service and maintain the tools.

### 3.6.1 Cleaning the press tools

#### Press machine



#### **NOTICE!** **Damage due to fluids!**

Make sure that no fluids get inside the press machine.  
Never dip the press machine into fluids.

Requirements:

- The press machine is not energised (rechargeable battery has been removed).
- No press jaw is inserted.
- Wipe the press machine down with a slightly damp cloth.
- Clean the press rolls of the roller head dry and then treat with maintenance oil (art. no. 667 924).

### Press jaws and press rings

- Remove dirt and metallic residues from the press jaw or the press ring.
- Remove residues from the press jaw contour (e.g. using Viega cleaning fleece, art. no. 104 412).
- Apply maintenance oil to the hinges and all moving parts (art. no. 667 924).
- Then thinly spray the press jaw or press ring with maintenance oil (art. no. 667 924) and let it work for a short time before wiping off with a lint-free cloth.

## 3.6.2 Performing checks

To ensure trouble-free operation, perform checks at regular intervals:

- At the end of each use, check the press contour of the press jaws and press rings for damage or visible wear.
- Check the press jaws and press rings for smooth operation.
- Check all press jaws and press rings for proper function by carrying out a test pressing with press connector inserted.

In case of malfunctions, contact an authorised service partner.

## 3.6.3 Inspection and maintenance

The functional safety and permanent leak tightness of the Viega press connector systems depend primarily on the functional and operational safety of the Viega system press tools, which comprise the Viega press machine plus Viega system press jaw, ring, chain, and hinged adapter jaw. The Viega press tools were developed and adapted specifically for use with the Viega press connector systems. Viega does not check whether these system press tools can be used for pressing other manufacturers' systems. In particular, no statement can be made on whether it is possible to create permanently leakproof connections in this way.



### NOTICE!

Do not attempt to carry out repairs yourself. Have repairs carried out only by authorised service partners.



## Maintenance label

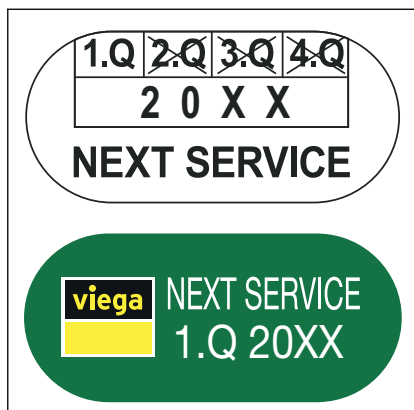


Fig. 5: Variants of the maintenance label (example representation)

- Top: Version 1
- Bottom: Version 2, from 2019, with annually changing colour shade

## Maintenance interval

The maintenance interval is 30000 pressings or 4 years, whichever occurs first.

The safety shutdown will occur after a further 2000 pressings.

When maintenance is due, it is indicated as follows:

- The maintenance symbol in the LED display illuminates and stays lit.
- The status LED flashes; see [Chapter 2.4.5 'Control elements and indicators at the press machine'](#) on page 15.
- The press machine has a label showing the date when the next regular maintenance is due.



The safety shutdown occurs after 32000 pressings. Send the press machine to your nearest service partner for inspection and maintenance.

## Press jaws and press rings

The Viega system press jaws and system press rings have a label showing the date when the next maintenance is due. Respect the maintenance dates in order to guarantee safety and proper function. After completed maintenance, the Viega service partner will apply a new sticker.

## 3.7 Disposal

Do not dispose of the press machine in household waste and do not scrap it. For environmentally compatible disposal, send the press machine to your local service partner or pass it to a recycling company.

Parts of the lithium ion rechargeable batteries contain valuable materials and can be recycled. For disposal, comply with the regulations applicable in your country. For more information, contact your local waste management authority.

**For EU countries:**

Do not dispose of electrical and electronic devices in household waste. Dispose of the device pursuant to the regulations applicable in your country, see ↗ *'Regulations from section: Disposal'* on page 6.



Observe the requirements on the transport of road and rail freight and of ocean and air freight if sending defective lithium ion rechargeable batteries.

## 4 Appendix

### 4.1 Warranty


The warranty period for Viega system tools, such as press tools, press jaws, press rings, Prevista Dry Plus rail punch, pipe cutters, calibration devices, etc., is governed by the national statutory provisions of the country in which you are headquartered. However, it is at least two years after purchase and transfer of risk.

Please keep the proof of purchase in the event that repairs are required during the warranty period. The warranty does not apply in cases of incorrect and non-professional use. If the defect is due to incorrect and non-professional use, or normal wear and tear of wearing parts, warranty claims are excluded.

## 4.2 Declaration of Conformity

Viega GmbH & Co. KG  
Germany, 57439 Attendorn, Viega Platz 1

Attendorn, **13.12.2021**



**CE Declaration of Conformity No. 21-022-PS**

| Article no. | Model No. | Description   |
|-------------|-----------|---|
| 790851      | 2295.4    | Pressgun 6 Press machine with rechargeable battery    |
| 797775      | 2295.72   | Pressgun 6 UK Press machine with rechargeable battery |
| 797782      | 2295.74   | Pressgun 6 JP Press machine with rechargeable battery |
| 797799      | 2295.71   | Pressgun 6 AU Press machine with rechargeable battery |
| 797577      | 2295.73   | Pressgun 6 CN Press machine with rechargeable battery |


EN EC DECLARATION OF CONFORMITY We declare that the products listed above, when used in accordance with the operator's manual, meet the relevant requirements of the Directives and Standards listed below. PL DEKLARACJA ZGODNOŚCI WE Deklarujemy, że wyroby wymienione powyżej, gdy są używane zgodnie z podręcznikiem użytkownika, spełniają właściwe wymagania Dyrektywy i Standardów, wymienione poniżej. FR DÉCLARATION DE CONFORMITÉ CE Nous déclarons que lorsqu'elles sont utilisées selon leur mode d'emploi, les produits indiqués ci-dessus répondent aux exigences applicables des directives et normes ci-après. PT DECLARAÇÃO DE CONFORMIDADE CE Declaramos que os produtos listados acima, quando utilizadas de acordo com o manual do operador, cumprem os requisitos relevantes das Diretivas e Normas listadas abaixo. ES DECLARACIÓN DE CONFORMIDAD CE Declaramos que los productos mencionados anteriormente, cuando se utilizan de acuerdo con el manual del fabricante, cumplen con los requisitos pertinentes y normas que se enumeran a continuación. RO DECLARAȚIE DE CONFORMITATE CE Declărăm că produsele menționate anterior, atunci când sunt utilizate în conformitate cu manualul de instrucțiuni, îndeplinesc cerințele relevante specificate mai jos, atunci când sunt utilizate în conformitate cu manualul de instrucțiuni, îndeplinesc cerințele relevante ale directivelor și standardelor specificate mai jos. CS PROHLÁŠENÍ O SHODĚ ES Prohlašujeme, že výše uvedené výrobky splňují při použití v souladu s jejich návodem k obsluze příslušné požadavky níže uvedených směrnic a nariadení. DA EF-ØVERENSSTEMMELSESERKLÆRING Vi erklærer, at de ovenfor anførte produkter, ved brug i overensstemmelse med brugervejledningen, opfylder de relevante krav i de nedenfor anførte direktiver og standarder. SL IZJAVA ES O SKLADNOSTI Izjavljamo, da zgoraj omenjeni izdelki, kateri se uporabljajo skladno z uporabniškim priročnikom, izpolnjujejo relevantne zahteve spodaj omenjenih predpisov in standardov. DE EG KONFORMITÄTSSERKLÄRUNG Wir erklären, dass die oben aufgeführten Produkte, wenn sie entsprechend der Bedienungsanleitung verwendet werden, die einschlägigen Anforderungen der folgenden Richtlinien und Normen erfüllen. SK ES VYHLÁŠENIE O ZHODE Vyhlasujeme, že výrobky uvedené vyššie spĺňajú relevantné požiadavky smerníc a noriem uvedených nižšie, ak sa používajú podľa návodu na použitie. EL ΔΗΛΩΣΗ ΣΥΜΜΟΡΦΩΣΗΣ EK Δηλώνουμε ότι τα προϊόντα που αναφέρονται παραπάνω, όταν χρησιμοποιούνται σύμφωνα με το εγχειρίδιο χειρισμού, πληρούν τις σχετικές απαιτήσεις των παρακάτω οδηγιών και προτύπων. FI EU-VAATIMUSTENMUKAISUUSVAKUUTUS Vakuutamme, että edellä luettellut tuotteet täyttävät käyttöohjekirjan mukaisesti käytettynä seuraavien direktiivien ja standardien vaatimukset. SV EG - FÖRSÄKRAN OM ÖVERENSSTÄMMELSE Vi meddelar att produkterna som anges ovan uppfyller de aktuella kraven i de angivna direktiven och standarderna nedan när den används enligt bruksanvisningen. HR EU IZJAVA O SUKLADNOSTI Izjavljujemo da su gore navedeni preredovina, kada se koriste u skladu s priručnikom za korisnike, sukladni s relevantnim zahtjevima dolje navedenih direktiva i standarda. HU EK MEGFELELŐSÉGI NYILATKOZAT Kijelentjük, hogy a fent felsorolt termék- amennyiben a kezelési útmutatónak megfelelően használgák őket - megfelelően az alább felsorolt irányelvek és Szabványok követelményeinek. ET EÜ VASTAVUSDEKLARATSIOON Kinnitame, et eelpool loetletud tooted vastavad allpool loetletud direktiivide ja standardite asjakohastele nõuetele, kui neid kasutatakse vastavalt kasu tujuhendile. IT DICHIARAZIONE DI CONFORMITÀ CE Dichiariamo che i prodotti elencati in alto, se utilizzati in conformità con il manuale dell'operatore, soddisfano i relativi requisiti delle Direttive e delle norme specificati di seguito. LV EK ATBILSTĪBAS DEKLARĀCIJA Mēs apliecinām, ka iepriekšminētie produkti, izmantojot tos saskaņā ar operatora rokasgrāmatu, atbilst attiecīgajām tālāk norādīto direktīvu un standartu prasībām. GA DEARBHŪ COMHRÉIREACHTA AN CE Fógraímid go bhfuil na táirgí sa liosta thuas i gcomhréir ble riachtanais ábhartha na dTreoracha agus na gCaighdeán sa liosta thíos, ach iad a úsáid de réir an lámhleabhair don oibreoir. NL EG-CONFORMITEITSVERKLARING Hierbij verklaren wij dat de hierboven vermelde producten, mits gebruik in overeenstemming met de handleiding, voldoen aan de relevante eisen van de hieronder vermelde richtlijnen en normen. LT ES ATITIKTIES DEKLARACIJA Deklaruojame, kad aukščiau išvardyti įrenginiai, jei naudojami pagal naudotojo vadovą, atitinka atitinkamus toliau išvardytų direktyvų ir standartų reikalavimus. MT DIKLARAZZJONI TA' KONFORMITÀ TAL-KE Ahna niddikjaraw li l-prodotti elenkati hawn fuq, meta jintużaw skont il-manwal tal-operatur, jissodisfaw ir-rekwiżiti rilevanti tad-direttivi u l-istandards li ġejjin. BG ДЕКЛАРАЦИЯ ЗА СЪОТВЕТСТВИЕ Декларираме, че изброените по-горе продукти, когато се използват в съответствие с Ръководство за оператора, отговарят на съответните стандарти и норми описани по-долу.

[www.viega.com](http://www.viega.com) Declaration of Conformity, page 1 of 2

Fig. 6: EC Declaration of Conformity Pressgun 6, page 1 from 2


Viega GmbH & Co. KG  
Germany, 57439 Attendorn, Viega Platz 1

Attendorn, 13.12.2021




| Directives   | Standards                       |
|--|---------------------------------|
| 2006/42/EC The Machinery Directive                           | EN 62841-1: 2015+AC: 15         |
|  | EN 61000-6-1:2007               |
| 2014/30/EU The Electromagnetic Compatibility Directive (EMC) | EN 61000-6-3: 2007+A1: 2011     |
|  | EN 55014-1:2006+A1:2009+A2:2011 |
|  | EN 55014-2:1997+A1:2001+A2:2008 |
|  | EN 300 328 V2.2.2               |
| 2014/53/EU Radio Equipment Directive (RED)                   | EN 62841-1: 2015+AC: 15         |

Vice President PM Piping Systems



ppa. Christoph Volkmer

Director Tools



i.V. Thomas Berheide

[www.viega.com](http://www.viega.com)

Declaration of Conformity, page 2 of 2

Fig. 7: EC Declaration of Conformity Pressgun 6, page 2 from 2

## 4.3 Service partners

For maintenance and repair of the press tools, contact the service partner in your country.

| Country code | Company                                  | Address/contact  |
|--------------|--|--|
| AT           | König & Landl GmbH                       | Döblinger Hauptstrasse 15, 1190 Vienna<br>https://www.koenig-landl.at / office@koenig-landl.at<br>+43 1 4797484-13                                       |
| AU           | Allied Power Tools                       | 12/76 Rushdale St, Knoxfield, VIC 3180<br>+61 (3) 9764 2911 / sales@alliedpowertools.com.au  |
| BE           | OMICRON-Benelux                          | Grote Steenweg 116, 3454 Rummen-Geetbets<br>+32 (11) 58 43 50 / info@omicronwt.com   |
| CN           | 德房家(中国)管道系统有限公司                          | 无锡市锡山区万全路 30 号平谦国际现代产业园 P 栋<br>+400 0688 668 / tao.wu@viega.cn   |
|              | Viega (China) Plumbing Systems Co., Ltd. | Building P, Pingqian International Modern Industrial Park, No. 30 Wanquan Road, Xishan District, Wuxi, China (214107)<br>+400 0688 668 / tao.wu@viega.cn |
| CZ / SK      | Mátl & Bula                              | Stará pošta 750, 66461 Rajhrad u Brna<br>+420 5 4723 0048 / info@matl-bula.cz  |
| DE           | Hans-Joachim Voigt & Sohn                | Nordlichtstrasse 48/50, 13405 Berlin<br>+49 (30) 413 4041 / info@voigtundsohn.de   |
|              | Hamburger-Hochdruck-Hydraulik GmbH       | Billwerder Billdeich 601c, 21033 Hamburg<br>+49 (40) 7511 900 / Service@HHHydraulik.com  |
|              | Hamburger-Hochdruck-Hydraulik GmbH – Süd | Neue Gautinger Str. 21, 82110 Germering,<br>+49 (89) 130 111 03 / Service@HHHydraulik.com  |
| DK           | Scherer's Elektro                        | Valhøjs Alle 171, 2610 Rodovre<br>+45 (44) 843738 / steffen@scel.dk  |
| ES           | Tecno Izquierdo                          | Avda. del Manzanares 222, 28026 Madrid<br>+34 (914) 759158 / tecno.izquierdo@telefonica.net  |
| FR           | Plasti Pro                               | 245 boulevard de l'Europe, 62118 Monchy-le-Preux<br>+33 (361) 47 40 45 / contact@sarl-plastipro.fr   |
| FI           | Sähköhuolto Tissari Oy                   | Pojutie 3, 70460 Kuopio<br>+358 44 3038400 / info@sht.fi   |
| GR           | Ergon Equipment A.E.T.E.                 | 102 Kleisthenous & Papafiessa Str, 153 44 Athens<br>+30 (210) 604945 4 / astathis@ergon.com.gr   |
| IT           | Elmes KG                                 | Via Artigianale Nord, 6, 39044 Neumarkt<br>+39 (0471) 813399 / info@elmes.it   |
| IT           | O.R.E. s.r.l.                            | Via Sassonia, 16/G, 47900 Rimini<br>+39 (0541) 741003 / info@oreutensili.com   |

| Country code | Company                      | Address/contact  |
|--------------|------------------------------|--|
| JP           | Toyo Kiko Inc.               | 717-5 Shimokuya-machi, 378-0061 Numata-shi<br>+81 (278) 24 41 77 / r.adachi@toyo-fit.co.jp   |
| NO           | Grønvold Maskinservice A/S   | Brobekkveien 104 A, 0613 Oslo<br>+47 (23) 05 06 40 / Terje@gronvoldmaskin.no   |
| NL           | MG Service                   | Canadabaan 2, 5388 RT Nistelrode<br>+31 (412) 617 299 / info@mgservice.nl  |
| RU           | KONTURS-SDM                  | Московская область, Солнечногорский район, Ленинградское шоссе, 34 км., стр. 15 (полигон МАДИ)<br>+7 (499) 155 07 11 / info@konturs-sdm.ru |
| SE           | AGB Service                  | Flottiljvägen 22, 39241 Kalmar<br>+46 (0)480 281 74 / order@agbservice.se  |
| SE           | AGB Service                  | Rosstigen 2, 16952 Solna<br>+46 (0)8 20 22 45 / order@agbservice.se  |
| UK           | MEP Hire                     | Unit K, Ashley Drive Bothwell, G71 8BS Glasgow<br>+44 800 587 5121 / hire@mephire.co.uk  |
|              | Broughton Plant Hire & Sales | Unit 10, Trade City, Ashton Road, RM3 8UJ Romford, Essex<br>+44 (1708) 383350 / hire@mbroughtonltd.co.uk                                   |



**Viega Pty Limited**  
support@viega.com.au  
viega.com.au

AU • 2022-08 • VPN220100

