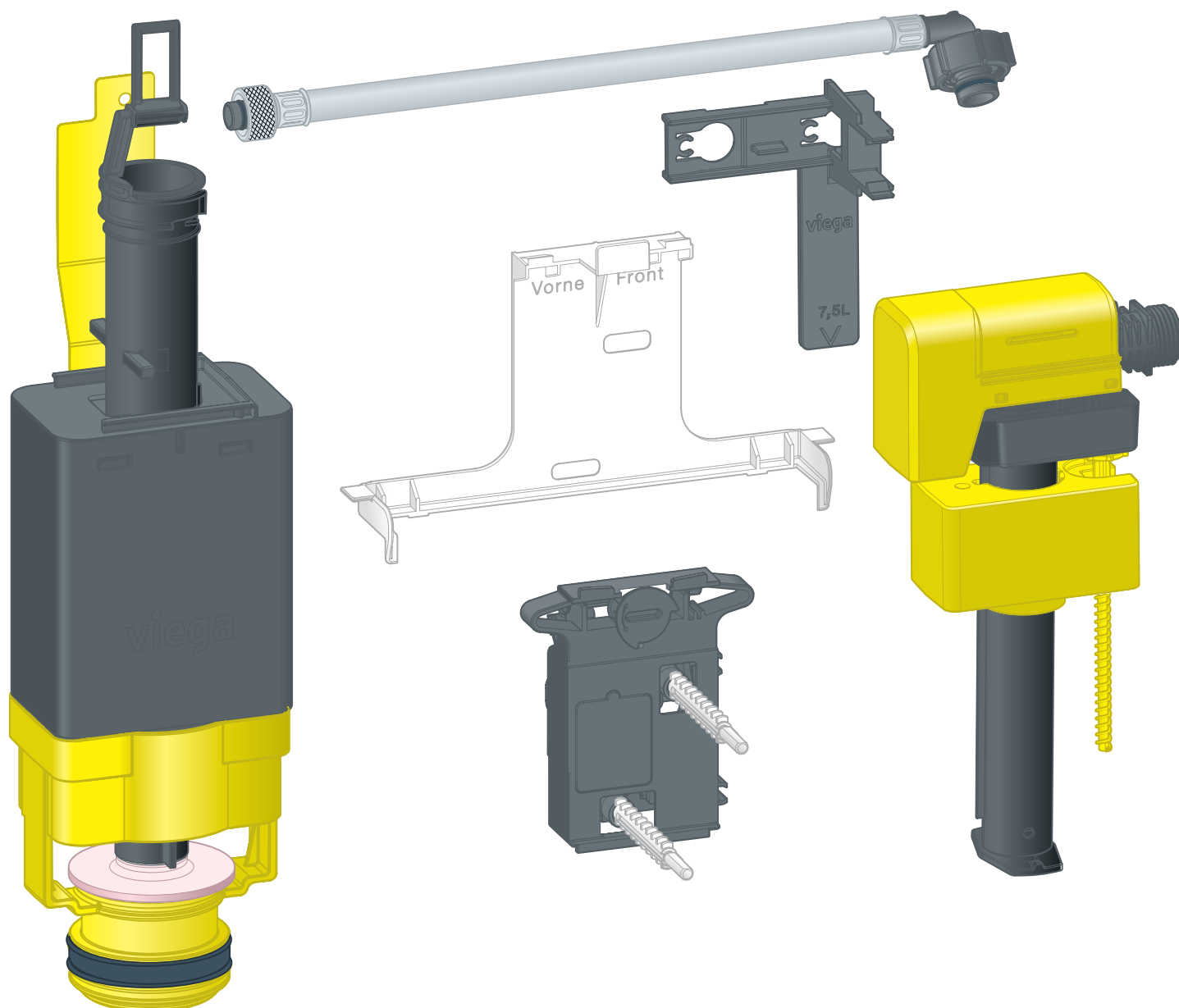


# Instructions for Use

## Spare part set



for concealed cistern 1C, concealed cistern 2C, conversion to  
flush plate Visign for Style or Visign for More

**Model**  
8141.0

**Year built (from)**  
07/2007

**viega**

# Table of contents

<b>1</b>	<b>About these instructions for use</b>	<b>3</b>
	1.1 Target groups	3
	1.2 Labelling of notes	3
	1.3 About this translated version	4
<b>2</b>	<b>Product information</b>	<b>5</b>
	2.1 Area of application	5
	2.2 Product description	6
<b>3</b>	<b>Handling</b>	<b>8</b>
	3.1 General mounting instructions	8
	3.2 Assembly	8
	3.2.1 Setting the flush volume	8
	3.2.2 Removing the existing installation	9
	3.2.3 Inserting the spare parts	13
	3.3 Disposal	19

# 1 About these instructions for use

## 1.1 Target groups

The information in this instruction manual is directed at the following groups of people:

- Heating and plumbing experts and trained personnel

Individuals without the abovementioned training or qualification are not permitted to mount, install and, if required, maintain this product. This restriction does not extend to possible operating instructions.

The installation of Viega products must take place in accordance with the general rules of engineering and the Viega instructions for use.

## 1.2 Labelling of notes

Warning and advisory texts are set aside from the remainder of the text and are labelled with the relevant pictographs.



### **DANGER!**

This symbol warns of possible life-threatening injury.



### **WARNING!**

This symbol warns of possible serious injury.



### **CAUTION!**

This symbol warns of possible injury.



### **NOTICE!**

This symbol warns of possible damage to property.



This symbol gives additional information and hints.

### 1.3 About this translated version

This instruction for use contains important information about the choice of product or system, assembly and commissioning as well as intended use and, if required, maintenance measures. The information about the products, their properties and application technology are based on the current standards in Europe (e.g. EN) and/or in Germany (e.g. DIN/DVGW).

Some passages in the text may refer to technical codes in Europe/Germany. These should serve as recommendations in the absence of corresponding national regulations. The relevant national laws, standards, regulations, directives and other technical provisions take priority over the German/European directives specified in this manual: The information herein is not binding for other countries and regions; as said above, they should be understood as a recommendation.

## 2 Product information

### 2.1 Area of application

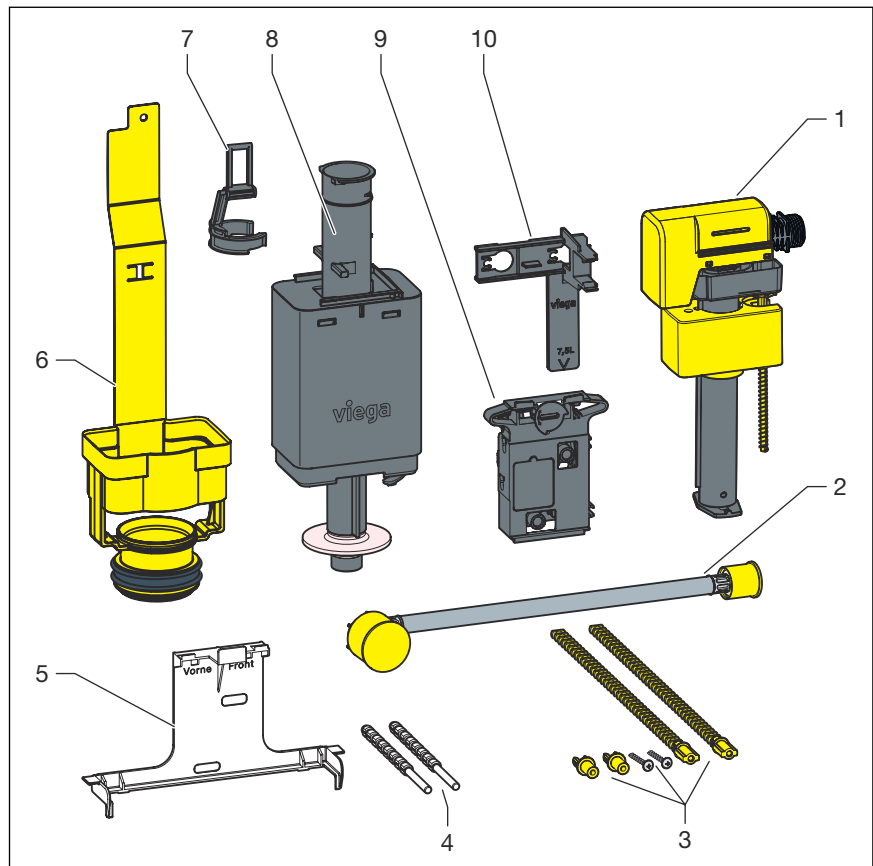
The spare parts set is used to convert existing WC installations so that one of the following Viega actuator plates can be fitted:

- Visign for Style
  - Model 8315.1
  - Model 8331.1
  - Model 8332.1
- Visign for More
  - Model 8351.1
  - Model 8352.1
  - Model 8353.1
  - Model 8354.1
  - Model 8355.1

The spare parts set can be used in the following WC element:

- Viega Eco Plus system
  - Model 8141

## 2.2 Product description



**Fig. 1: Spare part set**

- 1 Filling valve
- 2 filling hose
- 3 Fixing bolts
- 4 Actuating rods
- 5 Support
- 6 drain valve holder
- 7 Clip
- 8 Drain valve
- 9 Actuating mechanism
- 10 Filling valve holder

### Flushing technology

The drain valve was developed for the dual flush technology with a small and a large flush volume. The small and large flush volumes are actuated by pressing the small or the large button in the flush plate.

### Factory settings of the flush volume

- Immediate re-flushing is possible because the cistern is not emptied completely.
- The small flush volume is set to approx. 3 litres.
- The large flush volume is set to approx. 6 l.

If required, both flush volumes can be increased. For setting the flush volume, see [Chapter 3.2.1 'Setting the flush volume' on page 8](#).

## 3 Handling

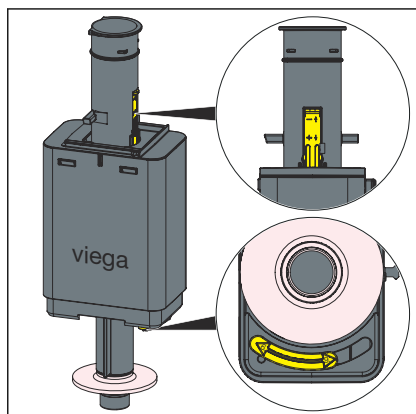
### 3.1 General mounting instructions



When you intend to install a new flush plate after converting to the new flush valve, the parts of the existing flush plate can be discarded after disassembling.

### 3.2 Assembly

#### 3.2.1 Setting the flush volume



- Set the small flush volume at the slide control at the side of the overflow pipe.
  - Slide control in top position: approx. 3 litres
  - Slide control in bottom position: approx. 4 litres
- Set the large flow volume at the slide control at the bottom of the drain valve.
  - Slide control in left position: approx. 6 litres
  - Slide control in right position: approx. 9 litres

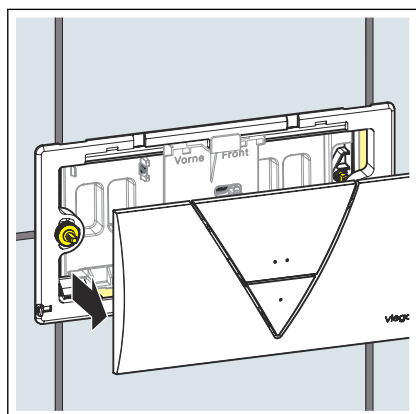


## 3.2.2 Removing the existing installation

### Dismantling the flush plate from the front

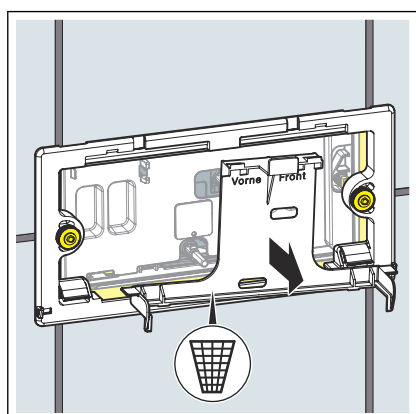


The flush plate installed in your existing installation may differ from the plate shown in the illustration. However, the steps for removal will usually correspond to the steps shown in the following.

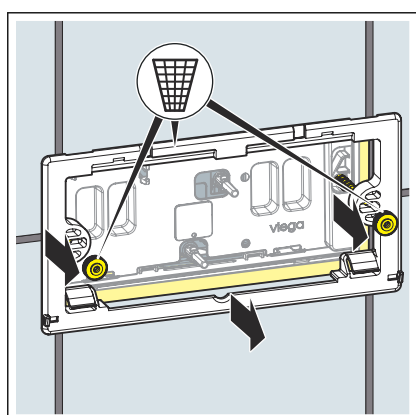


- Remove the flush plate.

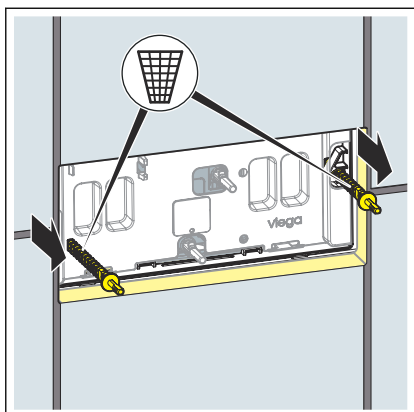
Pull the flush plate off the wall in as perpendicular a way as possible.



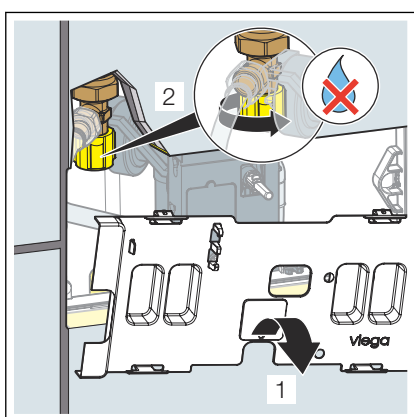
- Loosen the support at the top and the bottom and remove it from the installation shaft straight forward.



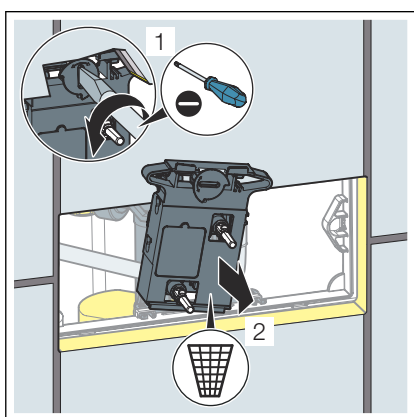
- Loosen the knurled nuts on the left and right side.
- Remove the base plate.



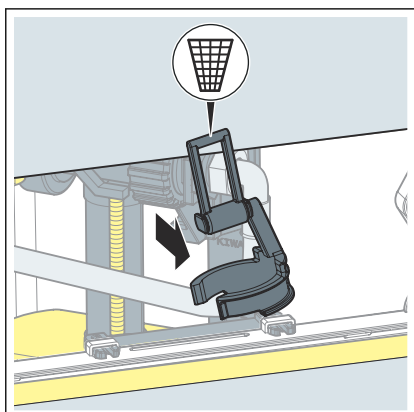
- Loosen the threaded bolts with a 90° turn.
- Remove the threaded bolts.



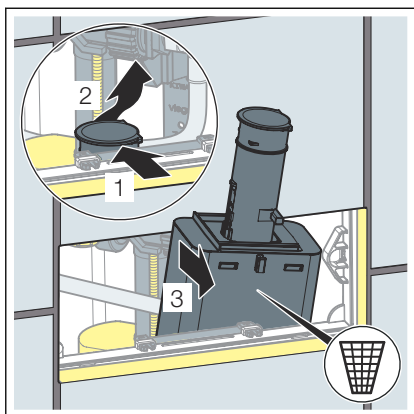
- Remove the cover straight forward from the installation shaft.
- Close the corner valve and empty the cistern completely.



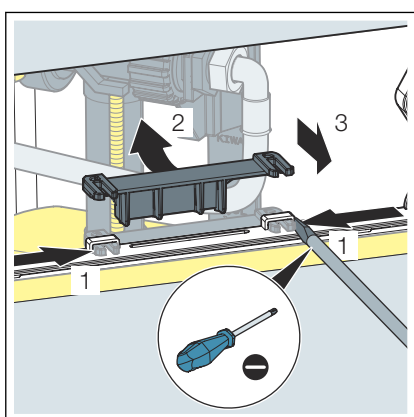
- Use a flat-blade screwdriver to turn the lock of the mechanism anti-clockwise through 90° to release the mechanism.
- Remove the mechanism from the installation shaft and dispose of it.



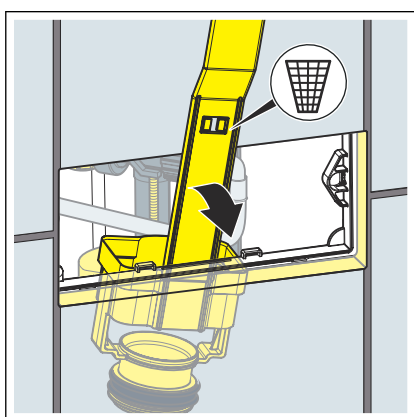
- Remove the bow of the drain valve and dispose of it.



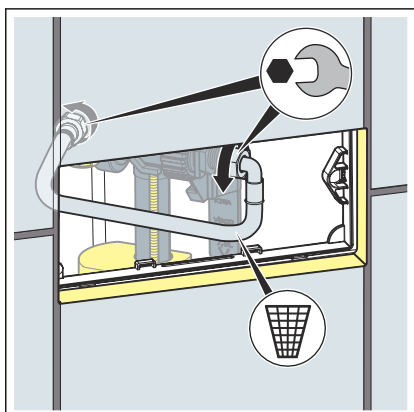
► Release the drain valve from the drain valve seat, remove and dispose of it.



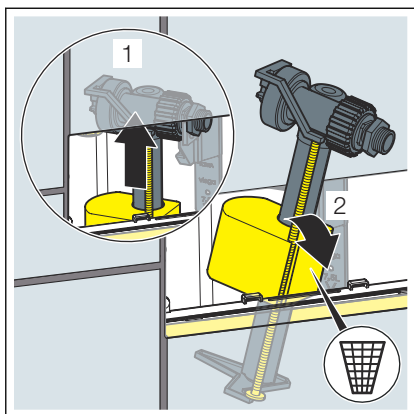
► Remove and store the drain valve seat retainer.



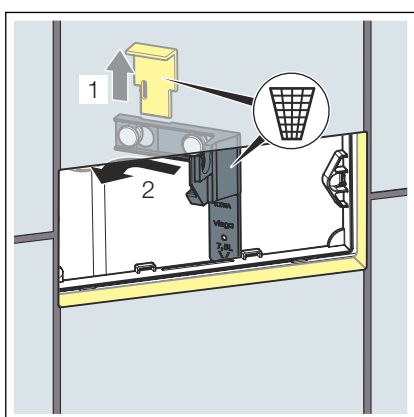
► Remove the drain valve seat and dispose of it.



► Loosen the filling hose on the filling valve.



- Remove the filling valve upwards from the filling valve holder and dispose of it.

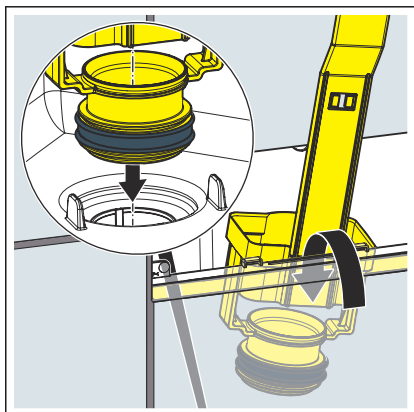


- Pull out the transport lock of the filling valve holder upwards.  
Remove the filling valve holder.  
Dispose of the two components.

### 3.2.3 Inserting the spare parts

Requirements:

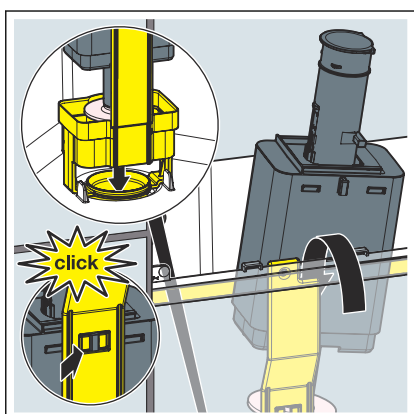
- The water inlet of the cistern has been closed.
- All parts of the existing installation you intend to replace have been removed.



- Insert the new drain valve seat into the cistern.

Push the bottom end of the drain valve seat into the drain hole of the cistern as far as it will go.

- Fasten the flap of the drain valve seat behind the holder of the filling valve.

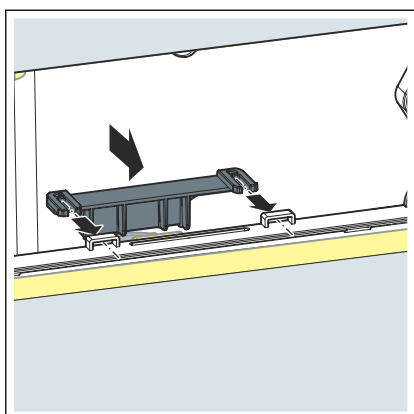


- Insert the drain valve in the drain valve seat.

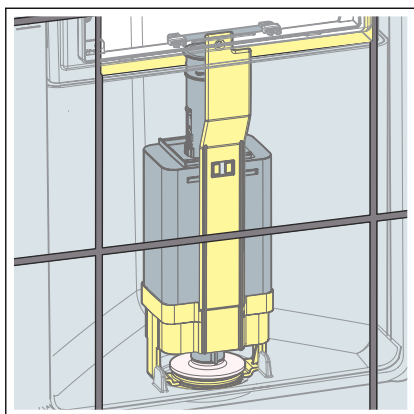
- Fasten the rear of the drain valve at the drain valve seat.



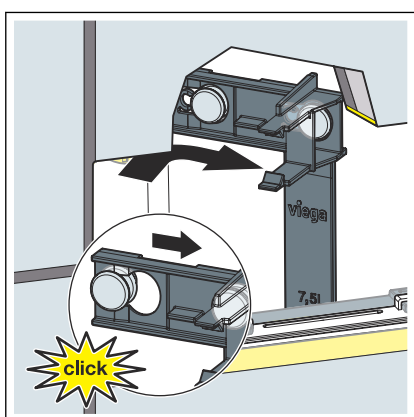
When you intend to install an electronic flush actuation or a touchless flush plate, follow the steps described in the instructions for use for the flush actuation or the flush plate from this point. In this case, you do not need to carry out the other assembly steps described in these instructions for use.



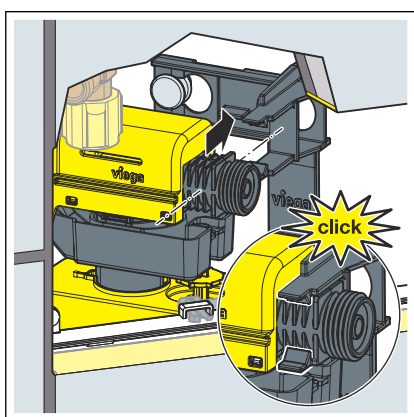
- Mount the retainer and fix the drain valve seat under the retainer.



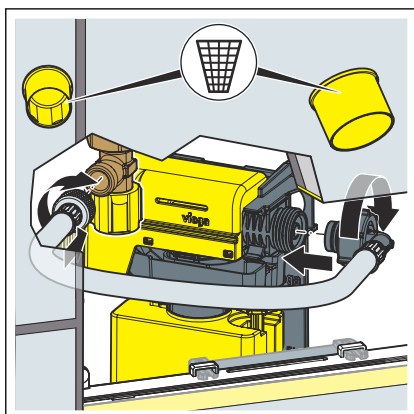
□ The drain valve seat, the drain valve and the retainer are fitted.



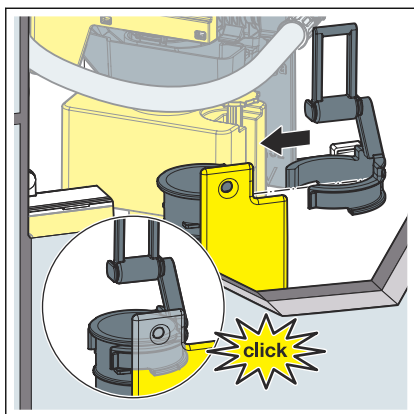
► Fit the enclosed filling valve holder.



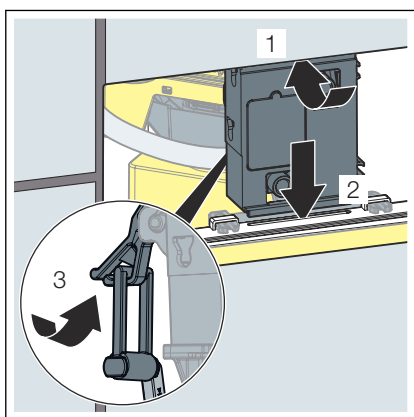
► Insert the filling valve into the filling valve holder.



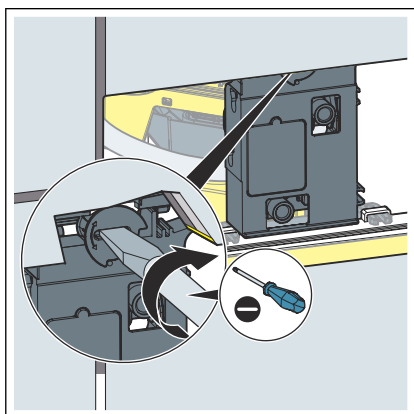
► Connect the filling hose to the filling valve.



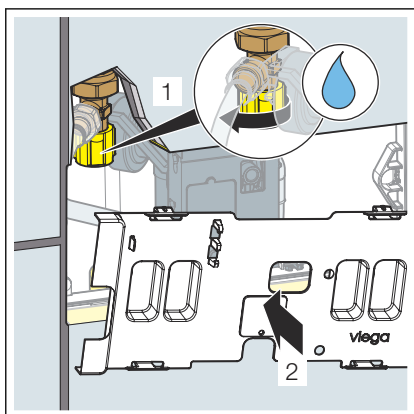
► Put the bracket on the drain valve from the right.



► Insert the mechanism and hook in the bracket.



► Attach the mechanism.

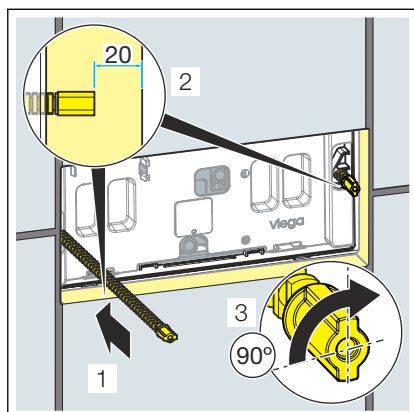


► Open the angle valve and insert the cover.

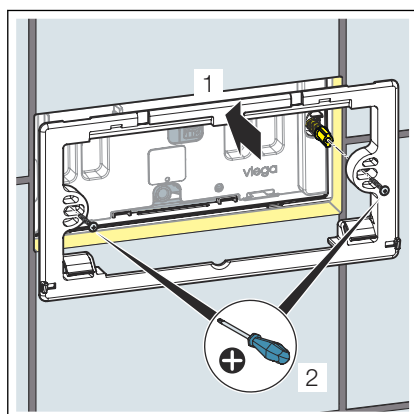


When you intend to mount a new flush plate, follow the instructions for use for the new flush plate from this point.  
To re-install the old plate, follow the instructions in the next section.

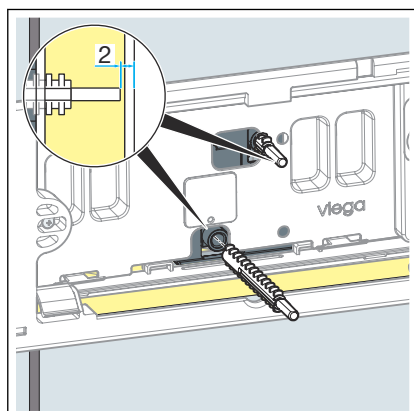
### Re-mounting the flush plate Visign for Style 10



- Insert the threaded bolts.
- Fasten the threaded bolts by turning them 90°.



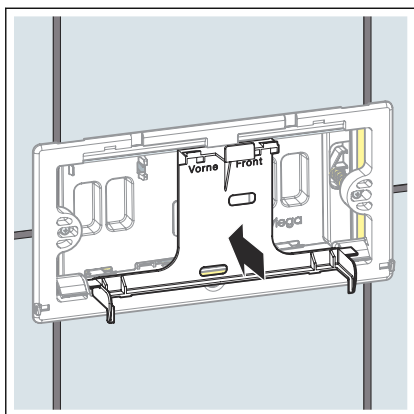
- Place the base plate and secure with supplied screws.



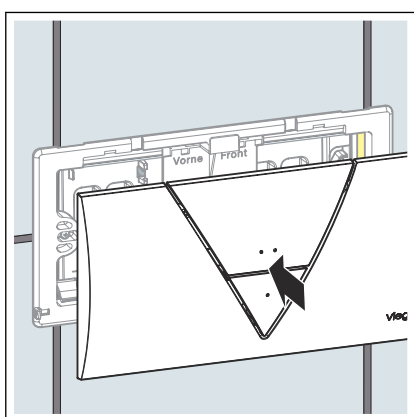
- Screw the actuating rods into the threaded hole of the actuating mechanism.

If necessary, shorten the actuating rods with the blade on the thread.



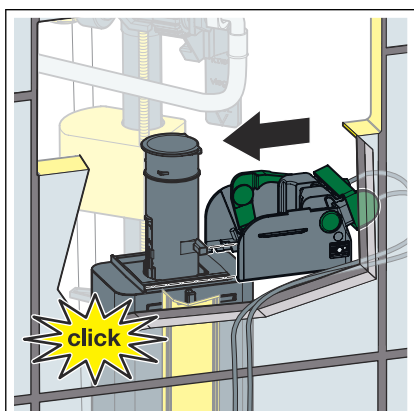


➤ Insert the support in the base plate.

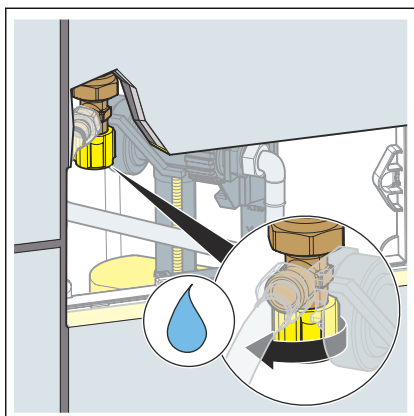


➤ Place the flush plate onto the base plate.

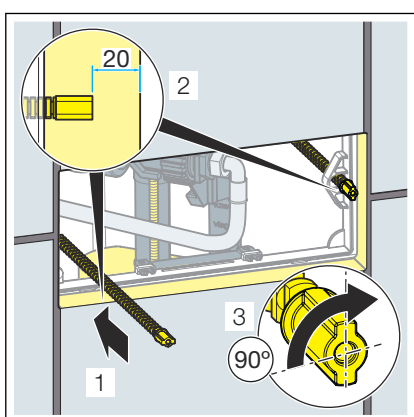
**Installing flush plates Visign for Style 11 / 12, Visign for More 100 / 101 / 102 / 103 / 104**



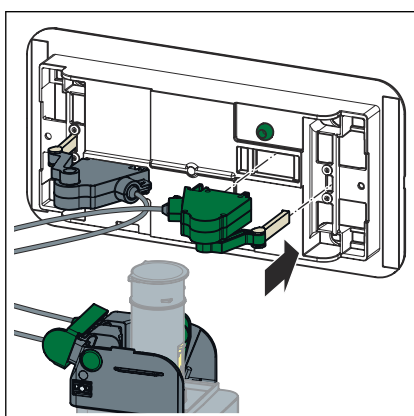
➤ Push the Bowden cable unit onto the drain valve from the right until it engages.



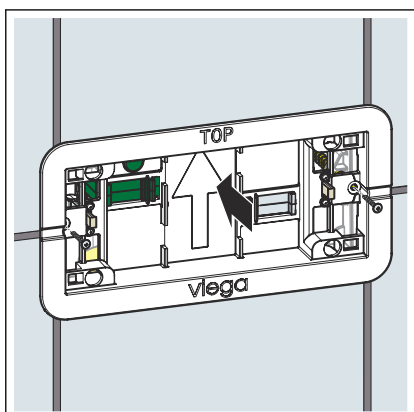
- Open the corner valve.



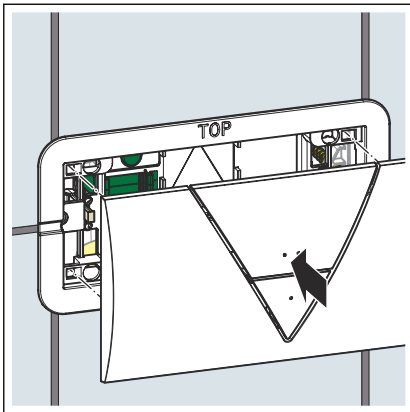
- Insert the enclosed threaded bolts into the drill holes inside the revision shaft and fasten them by turning them 90°.



- Insert the Bowden cables into the back of the base plate.  
Insert the green Bowden cable in the place marked with a green dot.



- Insert the base plate and secure with the supplied screws.



- Place the flush plate onto the base plate.

### 3.3 Disposal

Separate the product and packaging materials (e. g. paper, metal, plastic or non-ferrous metals) and dispose of in accordance with valid national legal requirements.



**Viega GmbH & Co. KG**  
service-technik@viega.de  
viega.com

INT • 2022-08 • VPN200498

