

## Instructions for Use

# Prevista Dry frame element 1120– 1300 mm



For support hinged handles

**Model**  
8570.34

**Year built (from)**  
10/2018

**viega**

# Table of contents

<b>1</b>	<b>About these instructions for use</b>	<b>3</b>
	1.1 Target groups	3
	1.2 Labelling of notes	3
	1.3 About this translated version	4
<b>2</b>	<b>Product information</b>	<b>5</b>
	2.1 Intended use	5
	2.1.1 Areas of use	5
	2.2 Product description	5
	2.2.1 Overview	5
<b>3</b>	<b>Handling</b>	<b>6</b>
	3.1 Assembly information	6
	3.1.1 Installation dimensions	6
	3.2 Assembly	6
	3.2.1 Mounting in Prevista Dry Plus	6
	3.3 Disposal	8

# 1 About these instructions for use

Trade mark rights exist for this document; for further information, go to [viega.com/legal](http://viega.com/legal).

## 1.1 Target groups

The information in this instruction manual is directed at the following groups of people:

- Heating and sanitary professionals and trained personnel
- Drywall builder

Individuals without the abovementioned training or qualification are not permitted to mount, install and, if required, maintain this product. This restriction does not extend to possible operating instructions.

The installation of Viega products must take place in accordance with the general rules of engineering and the Viega instructions for use.

## 1.2 Labelling of notes

Warning and advisory texts are set aside from the remainder of the text and are labelled with the relevant pictographs.



### **DANGER!**

This symbol warns of possible life-threatening injury.



### **WARNING!**

This symbol warns of possible serious injury.



### **CAUTION!**

This symbol warns of possible injury.



### **NOTICE!**

This symbol warns of possible damage to property.



This symbol gives additional information and hints.

### 1.3 About this translated version

This instruction for use contains important information about the choice of product or system, assembly and commissioning as well as intended use and, if required, maintenance measures. The information about the products, their properties and application technology are based on the current standards in Europe (e.g. EN) and/or in Germany (e.g. DIN/DVGW).

Some passages in the text may refer to technical codes in Europe/Germany. These should serve as recommendations in the absence of corresponding national regulations. The relevant national laws, standards, regulations, directives and other technical provisions take priority over the German/European directives specified in this manual: The information herein is not binding for other countries and regions; as said above, they should be understood as a recommendation.

## 2 Product information

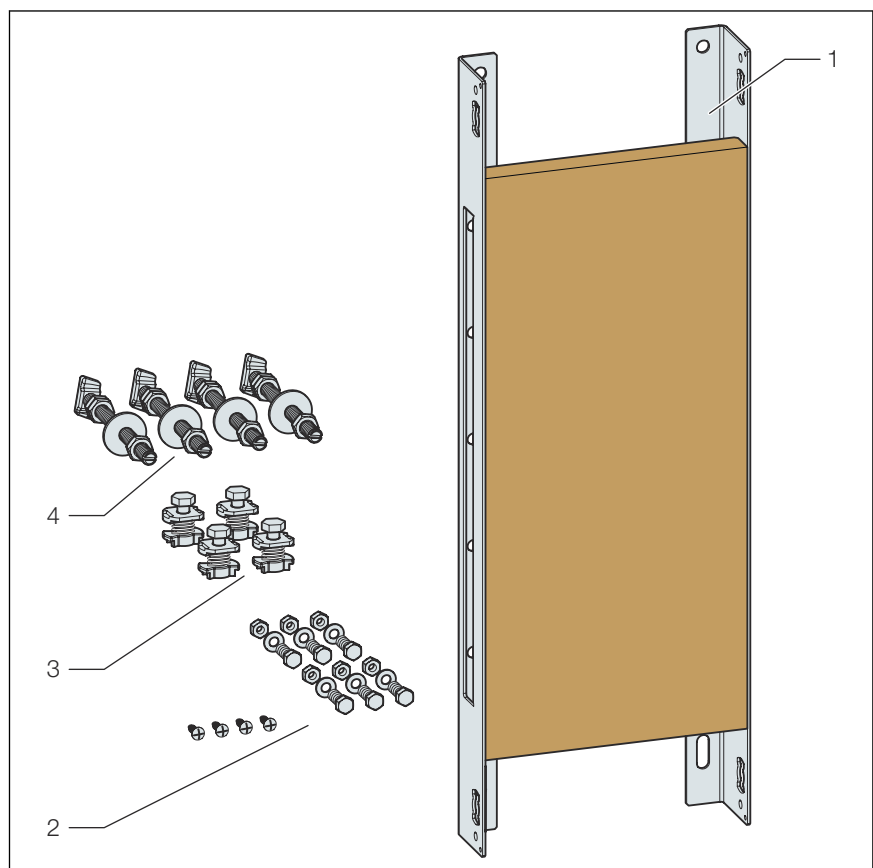
### 2.1 Intended use

#### 2.1.1 Areas of use

The Prevista Dry Plus fixing element is used for fixing support hinged handles onto Prevista Dry WC elements in a Prevista Dry Plus pre-wall construction.

### 2.2 Product description

#### 2.2.1 Overview



**Fig. 1: Component overview**

- 1 Prevista Dry Plus fixing element
- 2 Screws for fixing
- 3 slot nuts
- 4 fixing bolts

## 3 Handling

### 3.1 Assembly information

#### 3.1.1 Installation dimensions

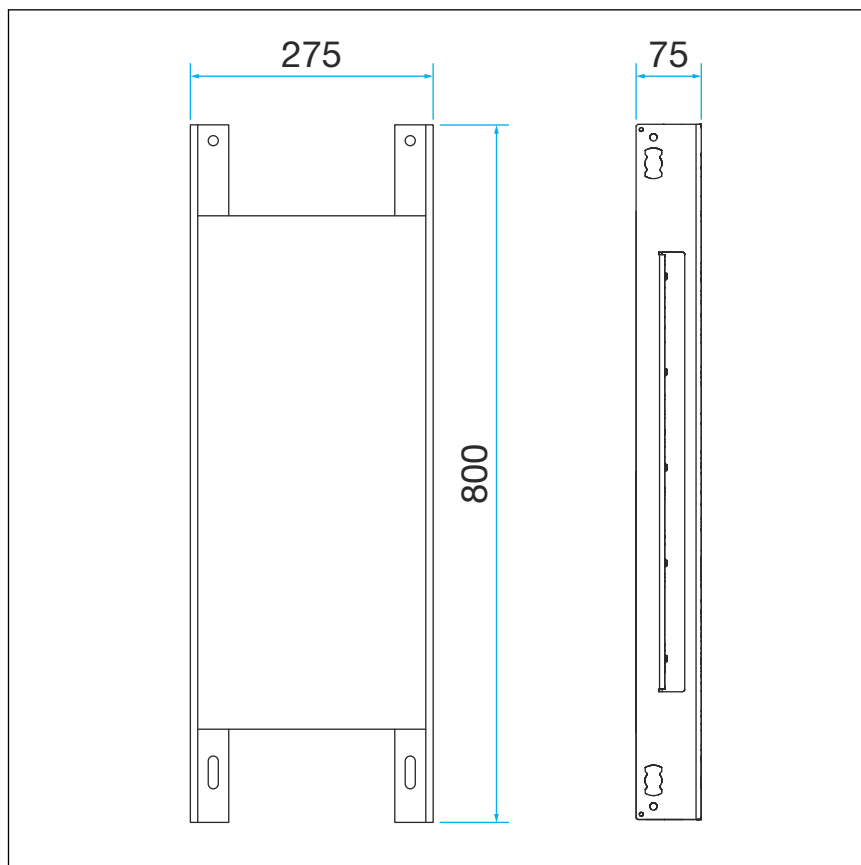


Fig. 2: Dimensions

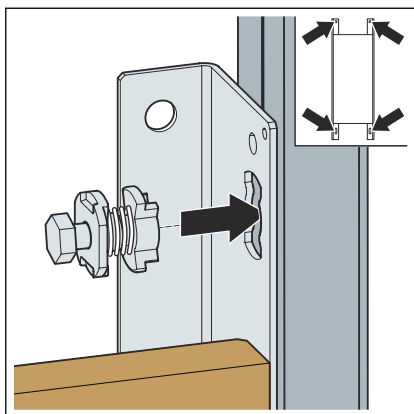
### 3.2 Assembly

#### 3.2.1 Mounting in Prevista Dry Plus

##### Fixing without WC element

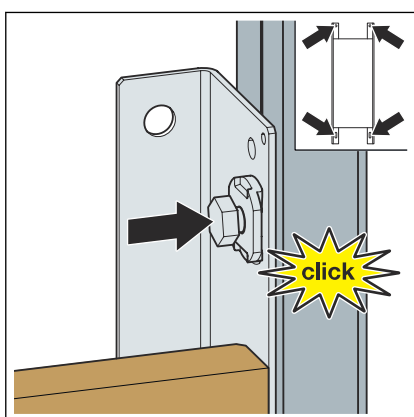


The two vertical mounting rails, which surround the element, must be open towards the module and have an inner distance of 420 mm.

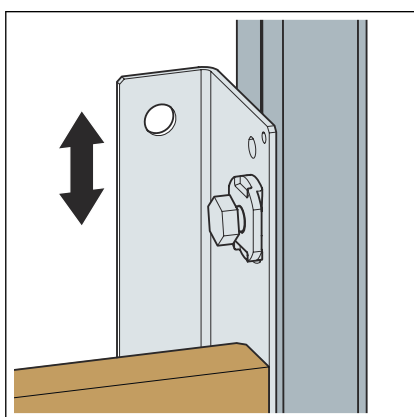


- Secure the element onto the open mounting rail with the slot nuts supplied:

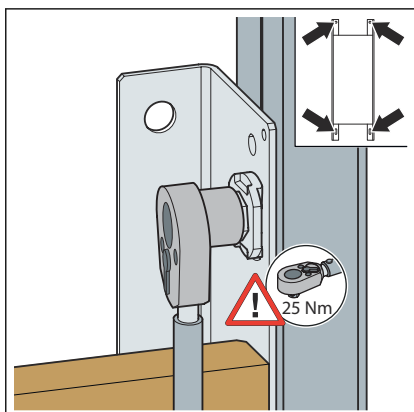
Insert the slot nut into the opening of the module.



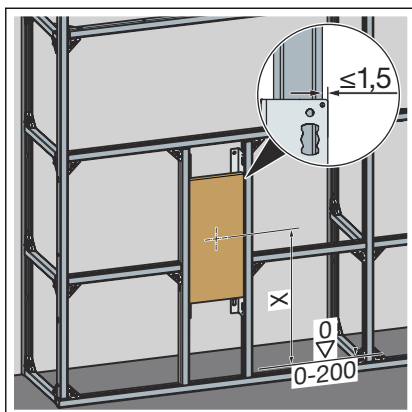
- Push the slot nut in until it engages.



- Set the height of the mounting rail.

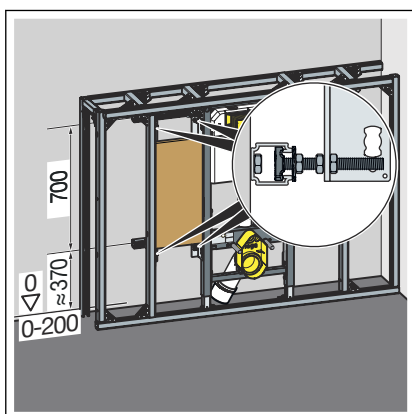


- Fasten the slot nut.



- Set the heights of the element.

### Fixing at the Prevista Dry WC element



- Fasten the mounting rail (model 8401) at the wall pursuant to the instructions for use for the Prevista Dry Plus system.
- Use the bolts to fasten the element to the mounting rails.

## 3.3 Disposal

Separate the product and packaging materials (e. g. paper, metal, plastic or non-ferrous metals) and dispose of in accordance with valid national legal requirements.





**Viega GmbH & Co. KG**  
service-technik@viega.de  
viega.com

INT • 2022-08 • VPN180484

