

Instructions for Use

Easytop Inox ball valve with SC-Contur



for potable water and heating installation

Model

Modell: 2375

viega

Table of contents

1	About these instructions for use	3
	1.1 Target groups	3
	1.2 Labelling of notes	3
	1.3 About this translated version	4
2	Product information	5
	2.1 Standards and regulations	5
	2.2 Intended use	7
	2.2.1 Areas of application	7
	2.2.2 Media	7
	2.3 Product description	8
	2.3.1 Overview	8
	2.3.2 Press connection with SC-Contur	8
	2.3.3 Sealing elements	9
	2.3.4 Markings on components	10
	2.3.5 Compatible components	10
	2.3.6 Technical data	10
	2.4 Information for use	10
	2.4.1 Corrosion	10
	2.5 Accessories	11
3	Handling	14
	3.1 Assembly information	14
	3.1.1 Permitted exchange of sealing elements	14
	3.1.2 Mounting instructions	14
	3.1.3 Required tools	14
	3.2 Assembly	15
	3.2.1 Replacing the sealing element	15
	3.2.2 Cutting pipes to length	16
	3.2.3 Pressing the connection	17
	3.2.4 Leakage test	18
	3.3 Maintenance	18
	3.4 Disposal	18

1 About these instructions for use

Trade mark rights exist for this document; for further information, go to viega.com/legal.

1.1 Target groups

The information in this manual is directed at heating and sanitary professionals and trained personnel.

Individuals without the abovementioned training or qualification are not permitted to mount, install and, if required, maintain this product. This restriction does not extend to possible operating instructions.

The installation of Viega products must take place in accordance with the general rules of engineering and the Viega instructions for use.

1.2 Labelling of notes

Warning and advisory texts are set aside from the remainder of the text and are labelled with the relevant pictographs.



DANGER!

This symbol warns of possible life-threatening injury.



WARNING!

This symbol warns of possible serious injury.



CAUTION!

This symbol warns of possible injury.



NOTICE!

This symbol warns of possible damage to property.



This symbol gives additional information and hints.

1.3 About this translated version

This instruction for use contains important information about the choice of product or system, assembly and commissioning as well as intended use and, if required, maintenance measures. The information about the products, their properties and application technology are based on the current standards in Europe (e.g. EN) and/or in Germany (e.g. DIN/DVGW).

Some passages in the text may refer to technical codes in Europe/Germany. These should serve as recommendations in the absence of corresponding national regulations. The relevant national laws, standards, regulations, directives and other technical provisions take priority over the German/European directives specified in this manual: The information herein is not binding for other countries and regions; as said above, they should be understood as a recommendation.

2 Product information

2.1 Standards and regulations

The following standards and regulations apply to Germany / Europe and are provided as a support feature.

Regulations from section: Application areas

Scope / Notice	Regulations applicable in Germany
Planning, execution, operation and maintenance of potable-water installations	DIN EN 806, part 1
Planning, execution, operation and maintenance of potable-water installations	DIN EN 806, part 2
Planning, execution, operation and maintenance of potable-water installations	DIN EN 806, part 3
Planning, execution, operation and maintenance of potable-water installations	DIN EN 806, part 4
Planning, execution, operation and maintenance of potable-water installations	DIN EN 806, part 5
Planning, execution, operation and maintenance of potable-water installations	DIN 1988
Planning, execution, operation and maintenance of potable-water installations	VDI/DVGW 6023
Planning, execution, operation and maintenance of potable-water installations	Trinkwasserverordnung (TrinkwV)

Regulations from section: Media

Scope / Notice	Regulations applicable in Germany
Suitability for potable water	Trinkwasserverordnung (TrinkwV)
Suitability for heating water for pump hot water heating systems	VDI 2035 Page 1 and page 2

Regulations from section: Product description

Scope / Notice	Regulations applicable in Germany
Suitability for potable-water installations	Trinkwasserverordnung (TrinkwV)
Requirements for plastic components for potable water installations	DVGW-Arbeitsblatt W270

Regulations from section: Overview

Scope / Notice	Regulations applicable in Germany
Compliance with the inspection requirements (fittings group I)	DIN EN 13828

Regulations from section: Marking on components

Scope / Notice	Regulations applicable in Germany
Designation noise class I	DIN EN 13828

Regulations from section: Corrosion

Scope / Notice	Regulations applicable in Germany
External corrosion protection	DIN EN 806-2
External corrosion protection	DIN 1988-200
External corrosion protection	DKI-Informationsdruck i. 160

Regulations from section: Leakage test

Scope / Notice	Regulations applicable in Germany
Leakage test of potable water installations	DIN EN 806, part 4
Leakage test of potable water installations	ZVSHK-Merkblatt „Dichtheitsprüfungen von Trinkwasserinstallationen mit Druckluft, Inertgas oder Wasser“

Regulations from section: Maintenance

Scope / Notice	Regulations applicable in Germany
Operation and maintenance of potable-water installations	DIN EN 806-5

2.2 Intended use



Agree the use of the model for areas of application and media other than those described with Viega.

2.2.1 Areas of application

Use is possible in the following areas among others:

- potable water installations
- Industrial and heating systems
- Compressed air systems
- Rainwater systems
- Cooling water pipelines (closed circuit)
- Systems for technical gases (on request)

2.2.2 Media

The model is also suitable for the following media, amongst others:

- Maximum chloride concentration 250 mg/l pursuant to applicable regulations, see ↗ *Chapter 2.1 'Standards and regulations' on page 5*
- Heating water for pump hot water heating systems, see ↗ *Chapter 2.1 'Standards and regulations' on page 5*
- Compressed air in compliance with the specification of the sealing elements used

2.3 Product description

2.3.1 Overview



The Easytop system fittings comply with the test requirements specified in the applicable regulations, see [Chapter 2.1 'Standards and regulations'](#) on page 5.
Sound protection $L_{ap} \leq 20$ dB(A)

The model is equipped as follows:

- Valve casing made of steel, stainless
- Dual-sided press connection with SC-Contur
- T-shaped actuating lever made of plastic
- Protective caps for the actuating lever in red and green for identifying the corresponding area of use
- Position indication open/closed
- maintenance-free selector shaft
- sealing elements made of EPDM
- Ball seal made of Teflon®

The model is available in the following dimensions : d 15 / 18 / 22 / 28 / 35 / 42 / 54.

2.3.2 Press connection with SC-Contur

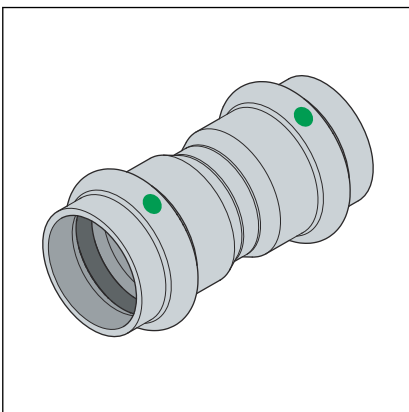


Fig. 1: Press connection using a press connector as an example

The press connection has a circumferential bead in which the sealing element lies. The press connector is deformed upstream and downstream of the bead and permanently connected to the pipe during pressing. The sealing element is not deformed during pressing.

SC-Contur

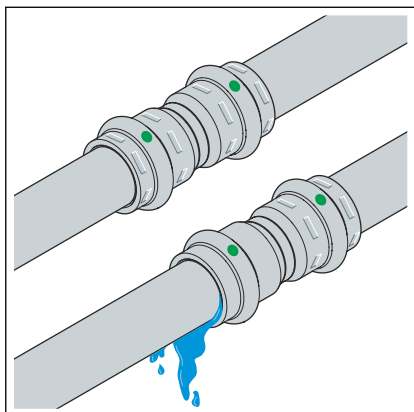


Fig. 2: SC-Contur

Viega press connectors are equipped with the SC-Contur. Die SC-Contur ist eine vom DVGW zertifizierte Sicherheitstechnik und sorgt dafür, dass die Verbindung im unverpressten Zustand undicht ist. In this way, inadvertently unpressed connections are noticed immediately during a leakage test.

Viega guarantees that unpressed connections become visible during a leakage test:

- with the wet leakage test in the pressure range from 0.1–0.65 MPa (1.0–6.5 bar)
- With dry leakage test in the pressure range from 22 hPa–0.3 MPa (22 mbar–3.0 bar)

2.3.3 Sealing elements

Area of use of the EPDM sealing element



NOTICE!

Only the EPDM sealing element is approved for potable water installations. The use of other sealing elements is not permitted.

The model is factory-fitted with EPDM sealing elements.

Area of application	Potable water	Heating	Compressed air	Technical gases
Use	all pipeline sections	Pump hot water heating system	all pipeline sections	all pipeline sections
Operating temperature [T _{max.}]	110 °C	110 °C	60 °C	—
Operating pressure [P _{max.}]	1.6 MPa (16 bar)	1.6 MPa (16 bar)	1.6 MPa (16 bar)	—
Comments	see notes ↪ Chapter 2.2.2 'Media' on page 7	pursuant to the applicable regulations ¹⁾ T _{max.} : 105 °C 95 °C with radiator connection	dry, oil content < 25 mg / m ³	²⁾

¹⁾ see ↪ Chapter 2.1 'Standards and regulations' on page 5

²⁾ Consultation with Viega required.

2.3.4 Markings on components

The model is marked as follows:

- Noise class I pursuant to applicable regulations, see [Chapter 2.1 'Standards and regulations'](#) on page 5
- Dimension
- DVGW writing
- Green dot for potable water
- Position indicator on the actuating lever

2.3.5 Compatible components

The model is equipped with press connections and compatible with the Sanpress and Sanpress Inox system.

Pipes

The press connections are tested and approved according to the applicable regulations with the following pipe types:

- Stainless steel pipes (material 1.4401 / 1.4521)
 - see [Chapter 2.1 'Standards and regulations'](#) on page 5

2.3.6 Technical data

Observe the following operating conditions for the installation of the model:

Operating temperature [T_{\max}]	110 °C
Operating pressure [P_{\max}]	1.6 MPa (16 bar)

2.4 Information for use

2.4.1 Corrosion

Overground pipelines and fittings in rooms do not normally require external corrosion protection.

There are exceptions in the following cases:

- Contact with aggressive building materials such as nitrite or materials containing ammonium
- in aggressive surroundings

If external corrosion protection is required, observe the pertinent guidelines, see [Chapter 2.1 'Standards and regulations'](#) on page 5.



Easytop fittings made of stainless steel are suitable for all types of potable water.

The chloride concentration in the medium must not exceed a maximum value of 250 mg/l.

This chloride is not a disinfectant, but in fact pertains to the content in sea and table salt (sodium chloride).

2.5 Accessories

The following optional accessories are available:

- Actuating lever made of metal
- Easytop thermometer
- Easytop media marking
- Protective caps for the actuating lever made of plastic in red and green for the identification of the corresponding area of use
- Insulating shells

EPS insulating shells are available for all sizes of ball valves. The two-piece shells are self-supporting and are mounted without tools and holding grips. They connect seamlessly to the front surfaces of the pipeline insulation.

- Easytop L-shaped actuating lever

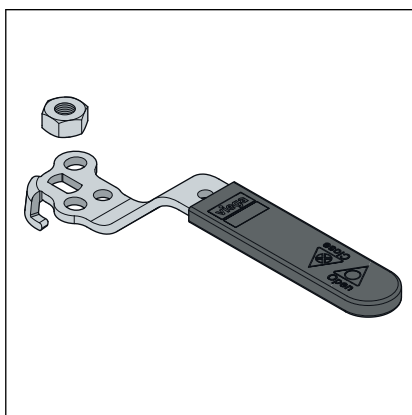
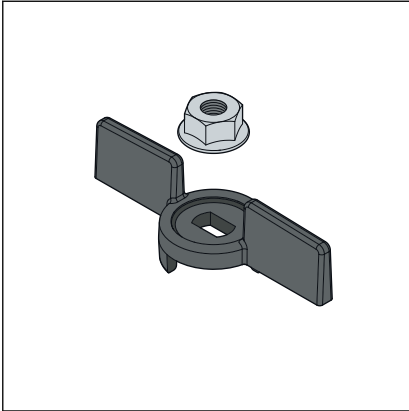
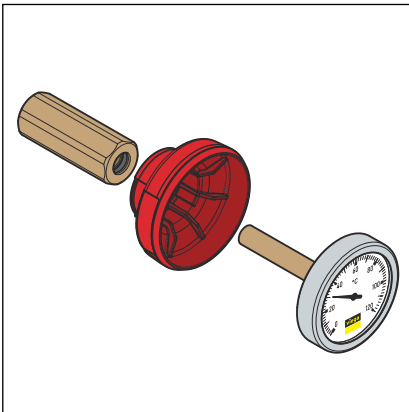


Fig. 3: Easytop L-shaped actuating lever, model 2275.93



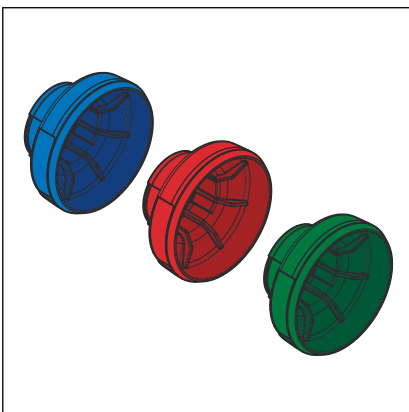
- Easytop T-shaped actuating lever

Fig. 4: Easytop T-shaped actuating lever, model 2275.92



- Easytop thermometer

Fig. 5: Easytop thermometer, model 2275.94



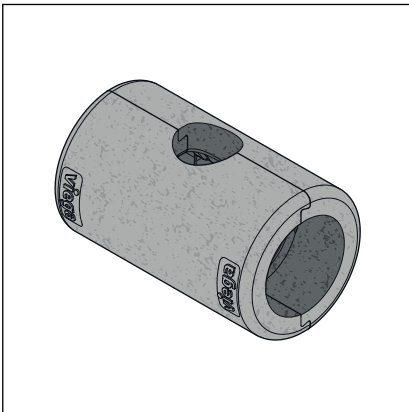
- Easytop media marking

Fig. 6: Easytop media marking, model 2275.97



- Easytop protective cap green

Fig. 7: Easytop protective cap green, model 2275.96



- Easytop insulating shells

Fig. 8: Easytop insulating shell model 2275.90

3 Handling

3.1 Assembly information

3.1.1 Permitted exchange of sealing elements

3.1.2 Mounting instructions

Checking system components



Do not remove the model from the packaging until immediately before use.

System components may, in some cases, become damaged through transportation and storage.

- Check all parts.
- Contaminated components may not be installed.

During assembly

Observe the following when mounting:

- Use suitable tools.
- Installation is not dependent on the direction of flow.

3.1.3 Required tools

The following tools are required for production of a press connection:

- Pipe cutter or a fine-toothed hacksaw
- Deburrer and coloured pen for marking
- Press machine with constant pressing force
- Press jaw or press ring with corresponding hinged adapter jaw, suitable for the pipe diameter and with suitable profile

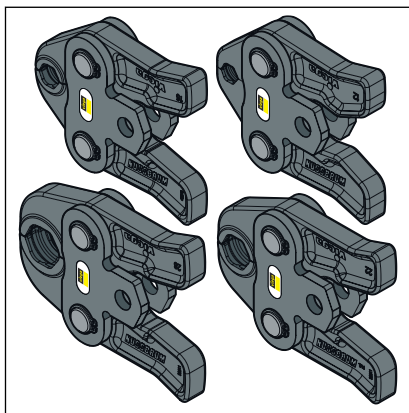


Fig. 9: Press jaws



Viega recommends the use of Viega system tools when installing the press fittings.

The Viega system press tools have been developed and tailored specifically for the installation of Viega press connector systems.

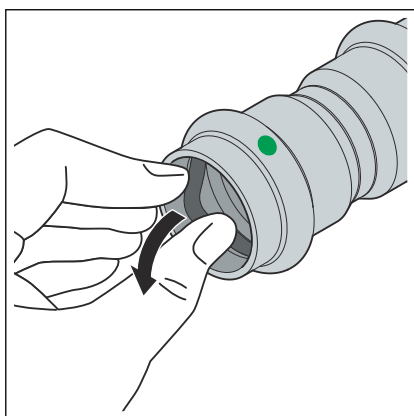
3.2 Assembly

3.2.1 Replacing the sealing element

Removing the sealing element

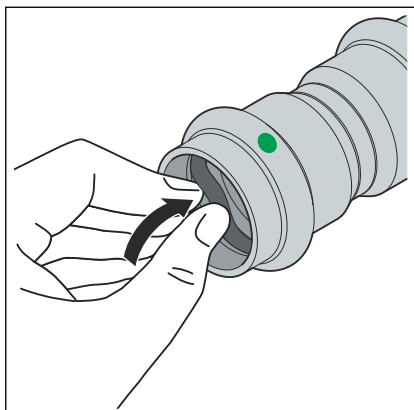


Do not use pointed or sharp-edged objects to remove the sealing element. They may damage the sealing element or the bead.



- Remove the sealing element from the bead.

Inserting the sealing element



- Insert a new, undamaged sealing element into the bead.
- Ensure that the complete sealing element is in the bead.

3.2.2 Cutting pipes to length



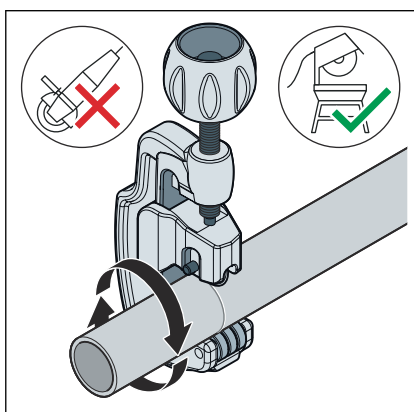
NOTICE! Leaking press connections due to damaged material!

Press connections can become leaky due to damaged pipes or sealing elements.

Observe the following instructions to avoid damage to pipes and sealing elements:

- Do not use cutting discs (angle grinders) or flame cutters when cutting to length.
- Do not use grease or oils (e. g. cutting oil).

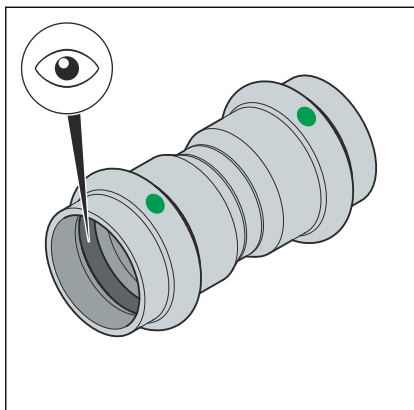
For information about tools, also see [Chapter 3.1.3 'Required tools'](#) on page 14.



- Cut the pipe at a right angle as accurately as possible using a pipe cutter or a fine-toothed hacksaw to ensure correct and even pipe insertion depth.

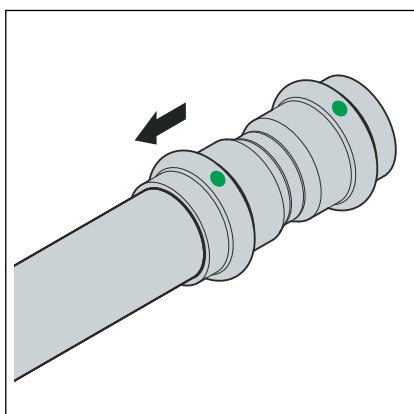
Avoid grooves on the pipe surface.

3.2.3 Pressing the connection

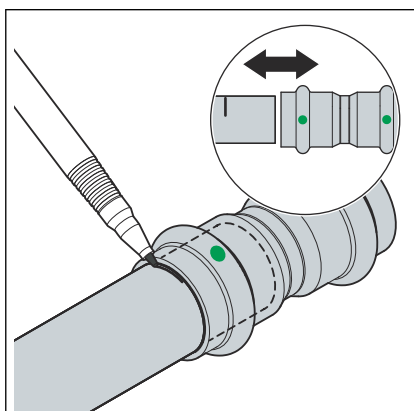


Requirements:

- The pipe end is not bent or damaged.
- The pipe is deburred.
- The correct sealing element is in the press connector.
EPDM = polished black
- The sealing element is undamaged.
- The complete sealing element is in the bead.

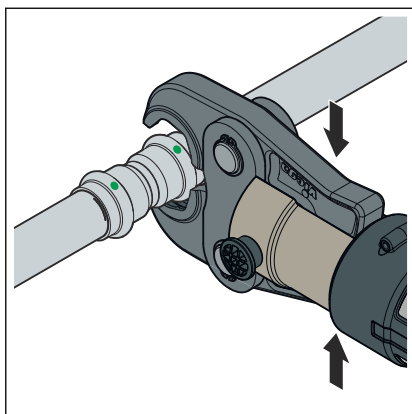


- Push the press connector onto the pipe as far as it will go.

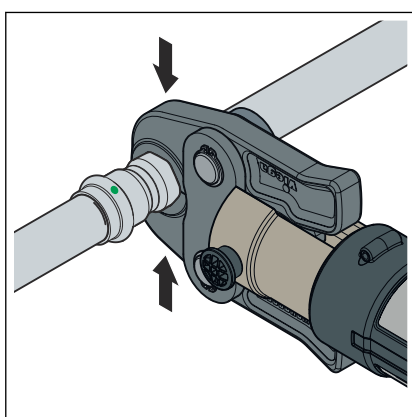


- Mark the insertion depth, and check it by fully removing and refitting the press connector.
- Place the press jaw onto the press machine and push the retaining bolt in until it clicks into place.

INFO! Observe the press tool instruction manual.



- Open the press jaw and place it at a right-angle onto the press connector.
- Check the insertion depth using the marking.
- Ensure that the press jaw is placed centrally on the bead of the press connector.



- Carry out the pressing process.
- Open and remove the press jaw.
 - ◻ Connection is pressed.

3.2.4 Leakage test

The installer must perform a leakage test before commissioning.

Carry out this test on a system that is finished but not covered yet.

Comply with the general rules of engineering and the applicable directives, see [Chapter 2.1 'Standards and regulations'](#) on page 5.

Also carry out the leak test for non-potable water installations in accordance with the generally recognised rules of technology.

Document the result.

3.3 Maintenance

Observe the applicable guidelines for the operation and maintenance of potable water installations, see [Chapter 2.1 'Standards and regulations'](#) on page 5.

3.4 Disposal

Separate the product and packaging materials (e. g. paper, metal, plastic or non-ferrous metals) and dispose of in accordance with valid national legal requirements.



Viega GmbH & Co. KG
service-technik@viega.de
viega.com

INT • 2025-04 • VPN240256

