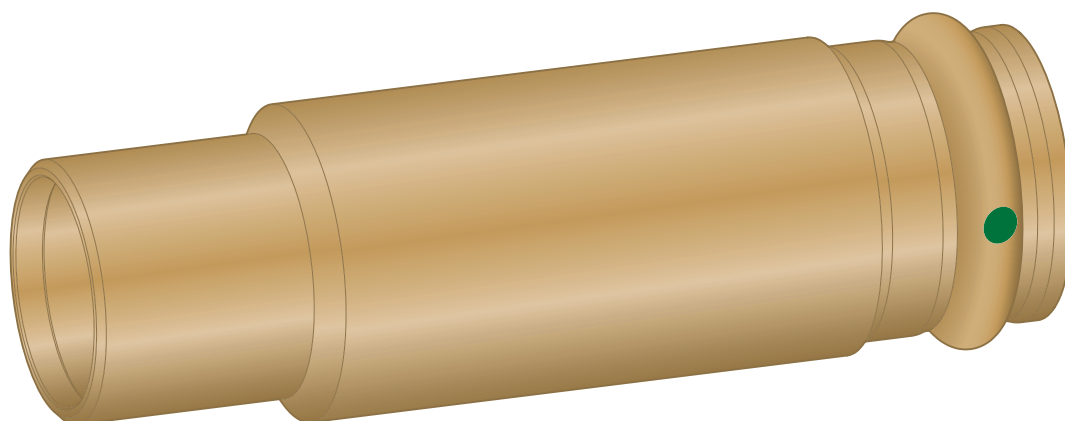


Instructions for Use

Sanpress-slip coupling



For the subsequent installation of a T-piece in a metal Viega piping system with press connectors

Model
2215.4

Year built (from)
02/2006

viega

Table of contents

1	About these instructions for use	3
	1.1 Target groups	3
	1.2 Labelling of notes	3
	1.3 About this translated version	4
2	Product information	5
	2.1 Standards and regulations	5
	2.2 Intended use	7
	2.2.1 Areas of application	7
	2.2.2 Media	8
3	Handling	9
	3.1 Assembly information	9
	3.1.1 Mounting instructions	9
	3.2 Assembly	9
	3.2.1 Installing the slip coupling	9
	3.2.2 Leakage test	11
	3.3 Maintenance	11
	3.4 Disposal	11

1 About these instructions for use

Trade mark rights exist for this document; for further information, go to viega.com/legal.

1.1 Target groups

The information in this manual is directed at heating and sanitary professionals and trained personnel.

Individuals without the abovementioned training or qualification are not permitted to mount, install and, if required, maintain this product. This restriction does not extend to possible operating instructions.

The installation of Viega products must take place in accordance with the general rules of engineering and the Viega instructions for use.

1.2 Labelling of notes

Warning and advisory texts are set aside from the remainder of the text and are labelled with the relevant pictographs.



DANGER!

This symbol warns of possible life-threatening injury.



WARNING!

This symbol warns of possible serious injury.



CAUTION!

This symbol warns of possible injury.



NOTICE!

This symbol warns of possible damage to property.



This symbol gives additional information and hints.

1.3 About this translated version

This instruction for use contains important information about the choice of product or system, assembly and commissioning as well as intended use and, if required, maintenance measures. The information about the products, their properties and application technology are based on the current standards in Europe (e.g. EN) and/or in Germany (e.g. DIN/DVGW).

Some passages in the text may refer to technical codes in Europe/Germany. These should serve as recommendations in the absence of corresponding national regulations. The relevant national laws, standards, regulations, directives and other technical provisions take priority over the German/European directives specified in this manual: The information herein is not binding for other countries and regions; as said above, they should be understood as a recommendation.

2 Product information

2.1 Standards and regulations

The following standards and regulations apply to Germany / Europe and are provided as a support feature.

Regulations from section: Intended use

Scope / Notice	Regulations applicable in Germany
Creating potable water installations	DIN 1988-200
Creating potable water installations	EN 806-2
Regulation on material selection	DIN EN 12502-1
Regulation on material selection	Metall-Bewertungsgrundlage (UBA)

Regulations from section: Application areas

Scope / Notice	Regulations applicable in Germany
Planning, execution, operation and maintenance of potable water installations	DIN EN 1717
Planning, execution, operation and maintenance of potable water installations	DIN 1988
Planning, execution, operation and maintenance of potable water installations	VDI/DVGW 6023
Planning, execution, operation and maintenance of potable water installations	Trinkwasserverordnung (TrinkwV)

Regulations from section: Media

Scope / Notice	Regulations applicable in Germany
Suitability for potable water	DIN 1988-200
Suitability for potable water	EN 806-2
Suitability for heating water for pump hot water heating systems	VDI-Richtlinie 2035, Sheet 1 and Sheet 2

Regulations from section: Sealing elements

Scope / Notice	Regulations applicable in Germany
Area of application of the EPDM sealing element ■ Heating	DIN EN 12828

Regulations from section: Corrosion

Scope / Notice	Regulations applicable in Germany
Regulations for external corrosion protection	DIN EN 806-2
Regulations for external corrosion protection	DIN 1988-200
Creating potable water installations	DIN 1988-200
Creating potable water installations	DIN EN 806-2
Regulation on material selection	DIN EN 12502-1

Regulations from section: Storage

Scope / Notice	Regulations applicable in Germany
Requirements for material storage	DIN EN 806-4, Chapter 4.2

Regulations from section: Leakage test

Scope / Notice	Regulations applicable in Germany
Test on a system that is finished but not yet covered	DIN EN 806-4
Leakage test for water installations	ZVSHK-Merkblatt: "Dichtheitsprüfungen von Trinkwasserinstallationen mit Druckluft, Inertgas oder Wasser"

Regulations from section: Maintenance

Scope / Notice	Regulations applicable in Germany
Operation and maintenance of potable water installations	DIN EN 806-5

2.2 Intended use



The press connector is suitable for the construction of potable water installations in accordance with applicable guidelines, taking into account the selection of materials in accordance with applicable guidelines and in accordance with the assessment basis for metallic materials in contact with potable water of the Federal Environment Agency (UBA), see ↗ 'Regulations from section: Intended use' on page 5. For use in other areas of application and in case of doubt over the correct material selection, contact Viega.

During assembly, observe the instructions for use of the piping system in question.

2.2.1 Areas of application

The Sanpress slip coupling is suitable for the retrofitting of a T-piece in a metal Viega piping system with press connectors.

Use is possible in the following areas among others:

- Potable water installations
- Industrial and heating systems
- Solar installations with flat collectors
- Compressed air systems
- District heat supply systems in secondary circuits
- Cooling water pipelines (closed circuit)

Potable water installation

For planning, execution, operation and maintenance of potable water installations, observe the applicable regulations, see ↗ *'Regulations from section: Application areas'* on page 5.

Maintenance

Inform your customer or the operator of the potable water installation that the system has to be maintained on a regular basis, see ↗ *'Regulations from section: Application areas'* on page 5.

Sealing element

Only EPDM sealing elements are approved in potable water installations. Do not use any other sealing elements.

2.2.2 Media

The model is also suitable for the following media, amongst others:

For the applicable directives, see ↗ *'Regulations from section: Media'* on page 6.

- Potable water
 - Max. chloride concentration 250 mg/l
- Heating water for pump hot water heating systems
- Compressed air in compliance with the specification of the sealing elements used
 - EPDM at oil concentration < 25 mg/m³
- Anti-freeze, cooling brines up to a concentration of 50 %

3 Handling

3.1 Assembly information

3.1.1 Mounting instructions

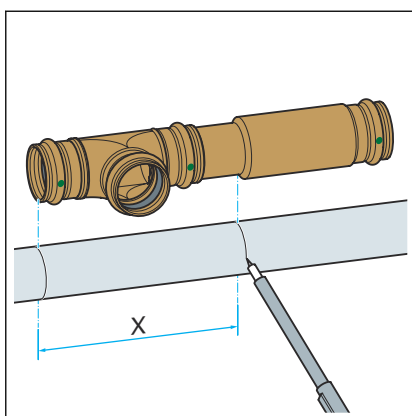
Checking system components

System components may, in some cases, have become damaged through transportation and storage.

- Check all parts.
- Replace damaged components.
- Do not repair damaged components.
- Contaminated components may not be installed.

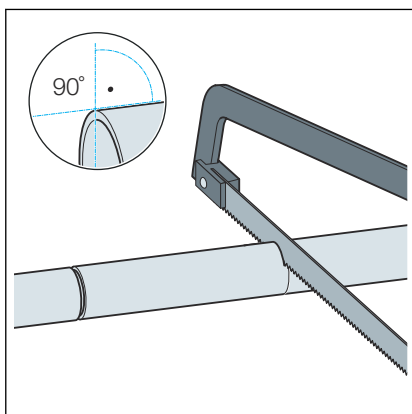
3.2 Assembly

3.2.1 Installing the slip coupling

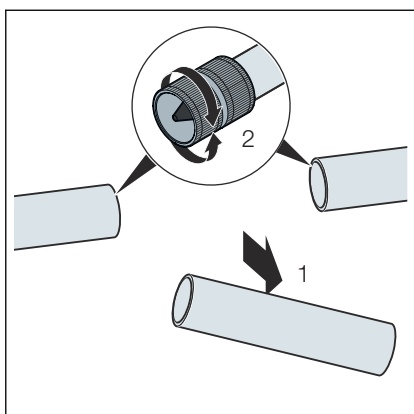


- Mark the pipe cut-out, but do not connect the T-piece and the slip coupling.

$x = \text{total length of the T-piece} + \text{length of the insertion end of the slip coupling}$



- Cut out the piece of pipe with a fine-toothed saw or with a pipe cutter, making sure that the cut is at a right angle.

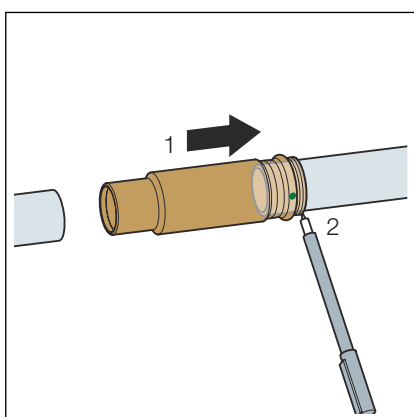


- Deburr the pipe ends on the inside and outside.

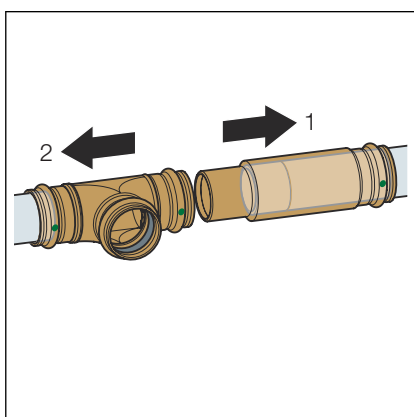
NOTICE! Damage due to the wrong tool! Do not use sanding disks or similar tools when deburring. The pipes could be damaged by these.

Deburring prevents the sealing element being damaged or the that the press connector cants when mounted. Viega recommends using a deburrer (model 2292.2).

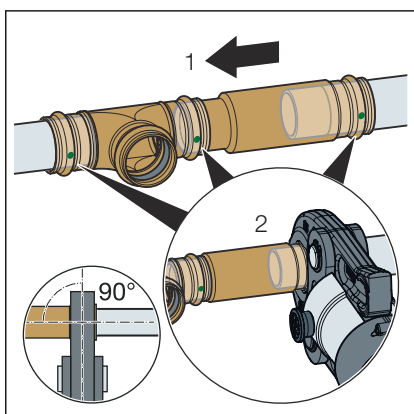
- Dispose of the separated intermediate piece.



- Mark the minimum insertion depth on the pipe end.
- Push the slip coupling all the way on.



- Push the T-piece onto the pipe as far as it will go.
- Mark the insertion depth.



- Push the slip coupling all the way into the T-piece.
- Make the press connection according to the instructions of the piping system.

3.2.2 Leakage test

The installer must perform a leakage test before commissioning.

Carry out this test on a system that is finished but not covered yet.

Observe the applicable regulations, see ↗ *'Regulations from section: Leakage test' on page 7.*

The leakage test pursuant to the applicable regulations must also be carried out for non-potable water installations, see ↗ *'Regulations from section: Leakage test' on page 7.*

Document the result.

3.3 Maintenance

Observe the applicable regulations for the operation and maintenance of potable water installations, see ↗ *'Regulations from section: Maintenance' on page 7.*

3.4 Disposal

Separate the product and packaging materials (e. g. paper, metal, plastic or non-ferrous metals) and dispose of in accordance with valid national legal requirements.



Viega GmbH & Co. KG
service-technik@viega.de
viega.com

INT • 2022-08 • VPN210558

