

Instructions for Use

Rotaplex Trio drain/overflow



for water inlet through the overflow unit

Model
6175.2

Year built (from)
04/2016

Table of contents

1	About these instructions for use	3
	1.1 Target groups	3
	1.2 Labelling of notes	3
	1.3 About this translated version	4
2	Product information	5
	2.1 Intended use	5
	2.1.1 Areas of use	5
	2.2 Product description	5
	2.2.1 Overview	5
	2.2.2 Technical data	7
	2.3 Accessories	7
3	Handling	8
	3.1 Assembly information	8
	3.1.1 Mounting conditions	8
	3.1.2 Installation dimensions	9
	3.1.3 Required tools and materials	9
	3.2 Assembly	10
	3.2.1 Mounting overflow	10
	3.2.2 Mounting the drain	11
	3.2.3 Connecting overflow and drain	11
	3.2.4 Connecting the wastewater system	12
	3.2.5 Connecting the inlet	13
	3.2.6 Connecting the electronic mixing fitting	14
	3.2.7 Mounting equipment set	15
	3.2.8 Leakage test	16
	3.3 Control	16
	3.4 Maintenance	16
	3.5 Disposal	17

1 About these instructions for use

Trade mark rights exist for this document, further information can be found at viega.com/legal.

1.1 Target groups

The information in this instruction manual is directed at the following groups of people:

- Heating and sanitary professionals and trained personnel
- Operators
- Consumers

It is not permitted for individuals without the abovementioned training or qualification to mount, install and, if required, service this product. This restriction does not extend to possible operating instructions.

The installation of Viega products must take place in accordance with the general rules of engineering and the Viega instructions for use.

1.2 Labelling of notes

Warning and advisory texts are set aside from the remainder of the text and are labelled with the relevant pictographs.



DANGER!

This symbol warns against possible life-threatening injury.



WARNING!

This symbol warns against possible serious injury.



CAUTION!

This symbol warns against possible injury.



NOTICE!

This symbol warns against possible damage to property.



Notes give you additional helpful tips.

1.3 About this translated version

This instruction for use contains important information about the choice of product or system, assembly and commissioning as well as intended use and, if required, maintenance measures. The information about the products, their properties and application technology are based on the current standards in Europe (e. g. EN) and/or in Germany (e. g. DIN/DVGW).

Some passages in the text may refer to technical codes in Europe/Germany. These should serve as recommendations in the absence of corresponding national regulations. The pertinent national laws, standards, regulations and guidelines, as well as other technical guidelines, have priority over German/European guidelines in this manual: The information is not binding for other countries and territories and should, as mentioned, be considered as support.

2 Product information

2.1 Intended use

2.1.1 Areas of use



NOTICE!

Risk of damage due to unsuitable liquids.

To avoid damaging the drain, only introduce the following liquids:

- Liquids with a pH-value higher than 4
- typical household wastewater with temperatures up to 95 °C

The Rotaplex Trio drain/overflow is suitable for bathtubs with a 90 mm drain hole. The inlet flows through the overflow opening.

The inlet, drain/overflow with motor-powered valve cone trap is exclusively suitable for use with one of the three electronic mixer units Multiplex Trio E (model 6146), Multiplex Trio E2 (model 6146.2) or Multiplex Trio E3 (model 6146.215). The drain/overflow fulfils the requirements of DIN EN 274. Observe the instructions in the instructions for use of the electronic mixer unit connected.

The inlet, drain and overflow can be used in bathtubs with a connection in the middle.

Detailed information regarding all bathtub models and the corresponding Viega drains / overflows can be found in the catalogue or on the Internet.



The motor is maintenance-free and must not be removed.

2.2 Product description

2.2.1 Overview

The following components are included in the scope of delivery of the Rotaplex Trio drain / overflow:

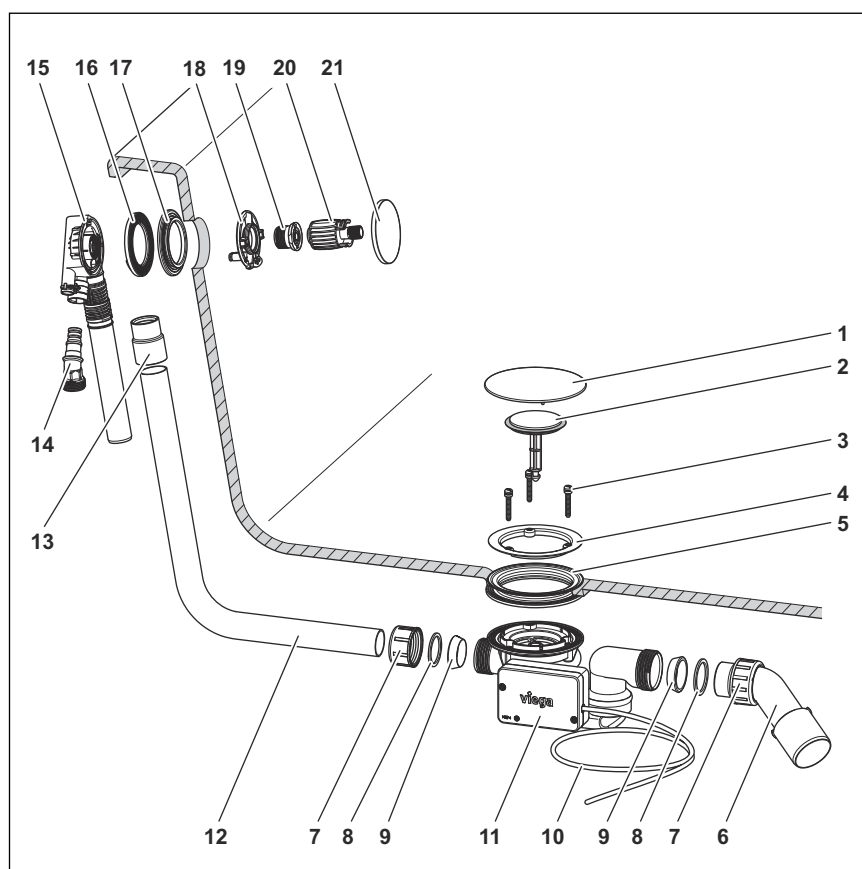


Fig. 1: Component overview

- 1 - cover plate
- 2 - valve cone
- 3 - fixing screws
- 4 - fixing flange
- 5 - double seal
- 6 - drain elbow
- 7 - union nut
- 8 - sliding ring
- 9 - seal
- 10 - connection cable 3 m
- 11 - odour trap with motor
- 12 - overflow pipe
- 13 - sleeve
- 14 - connecting piece
- 15 - overflow unit
- 16 - profile seal
- 17 - additional seal for steel bathtubs
- 18 - supply flange
- 19 - fixing screw
- 20 - mounting aid
- 21 - overflow rosette

2.2.2 Technical data

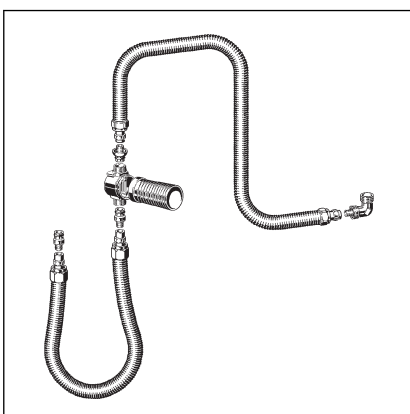
Drainage capacity (at an accumulation height of 300 mm)	1.25 l/s
Overflow capacity (at an accumulation height of 60 mm)	0.63 l/s
Inlet capacity (at 0.25 MPa (2.5 bar))	20 l/min
Diameter of bathtub drain hole	90 mm
DN (nominal diameter) drain socket	40 / 50 mm
Length	130–370 mm
Height	180–430 mm
Dimensions and installation depth	☞ Chapter 3.1.2 'Installation dimensions' on page 9
Water seal level	50 mm

2.3 Accessories



The accessories shown here are not included in the scope of delivery. If required, it must be purchased separately.

Required accessories



Pipe interrupter

To ensure that no bath water flows back into the drinking water system, a pipe interrupter must be installed, e. g. the connection set with concealed pipe interrupter DN 20 in acc. DIN EN 1717, model 6161.86. A suitable cover rosette for the pipe interrupter must be purchased separately.

3 Handling

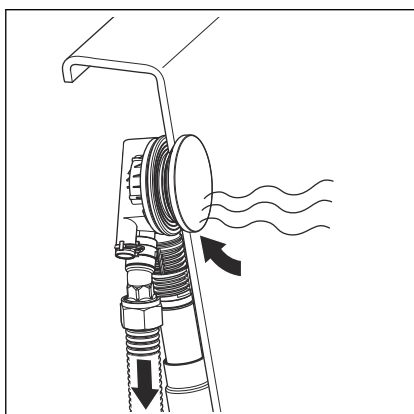
3.1 Assembly information

3.1.1 Mounting conditions

The following requirements exist for the mounting of the drain / overflow:

- The bathtub is installed.
- The drainage line is installed all the way to the bathtub.
- The underside of the bathtub is accessible.

Pipe interrupter



Backflow situation: If a negative pressure situation should occur when the bathtub is filled, there is a possibility that bath water may flow back into the drinking water system.

To ensure that no bath water flows back into the drinking water system, a pipe interrupter must be installed in the pipeline between the shut-off fitting and the bathtub inlet.

The following schematic diagram shows what this should look like:

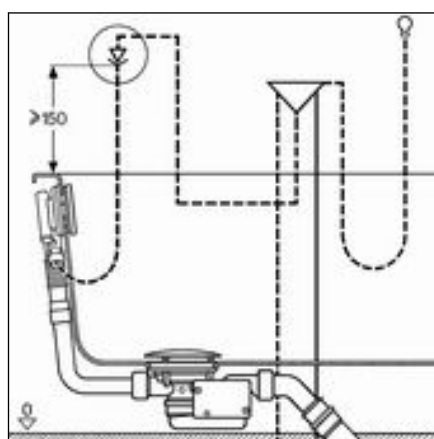


Fig. 2: Mounting scheme with pipe interrupter

It is important that the pipe interrupter is mounted vertically, in the direction of flow and at least 150 mm above the top edge of the bathtub.

Observe the local standards and regulations.

The pipe interrupter is not included in the scope of delivery and must be ordered separately. Observe the instructions for use of the pipe interrupter.

3.1.2 Installation dimensions

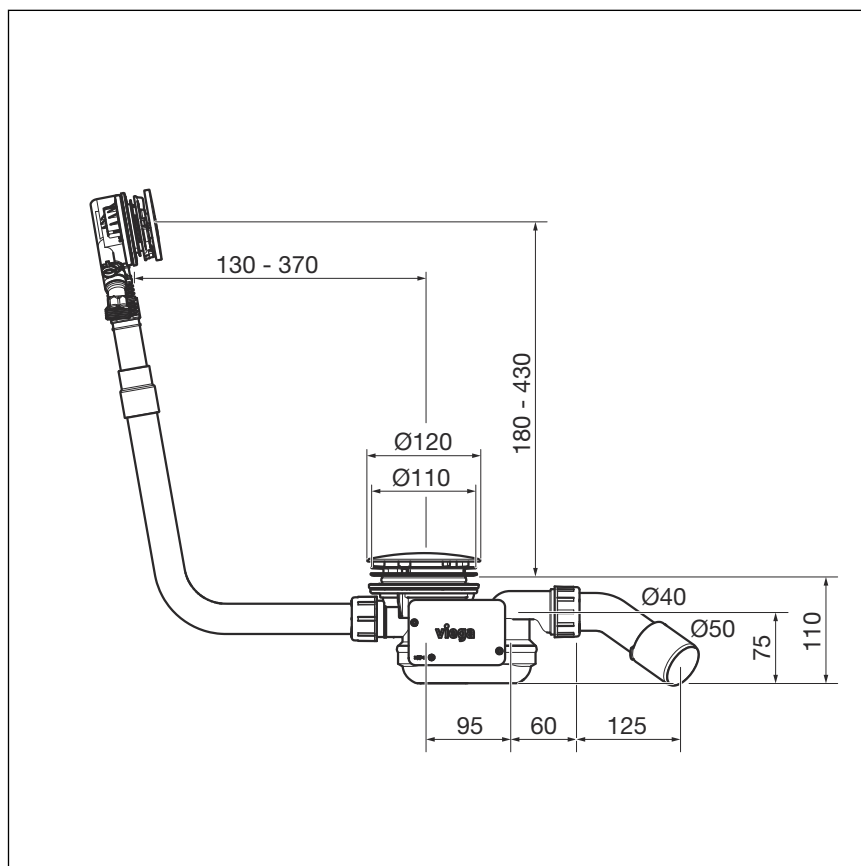


Fig. 3: Dimensional drawing

3.1.3 Required tools and materials

Tool

The following tools are required for mounting:

- fine-toothed saw
- mounting aid (included in the scope of delivery)

Material

The following material must be purchased separately and must be available during mounting:

- pipe interrupter (e. g. the pipe interrupter set for connection of the inlet)
- connection set for the connection of the inlet (e. g. the pipe interrupter set)

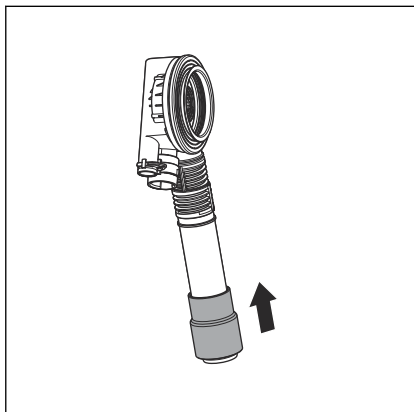
3.2 Assembly

3.2.1 Mounting overflow

Proceed as follows to the mounting of the overflow:

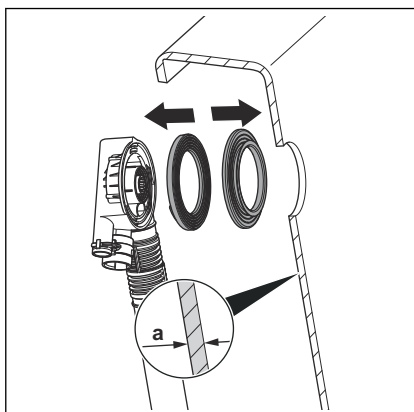
- Push the rubber sleeve onto the pipe of the overflow unit.

The lower edge must be flush with the edge of the overflow pipe.

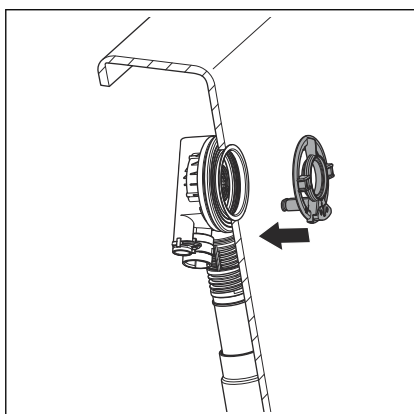


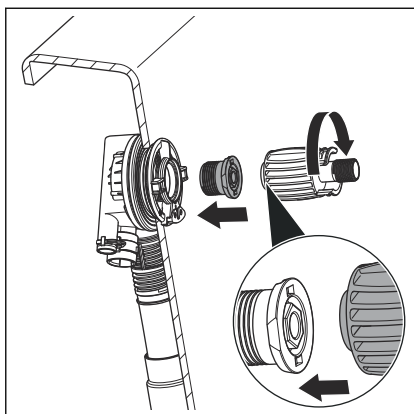
- Fit profile seal in the overflow unit.

- If the wall thickness a (in the case of steel bathtubs) is less than 3 mm, insert addition seal between profile seal and bathtub.



- Fit supply flange into the overflow unit.

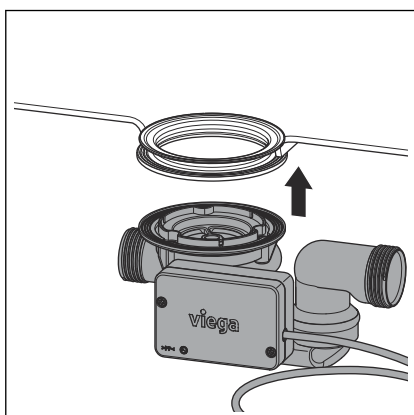




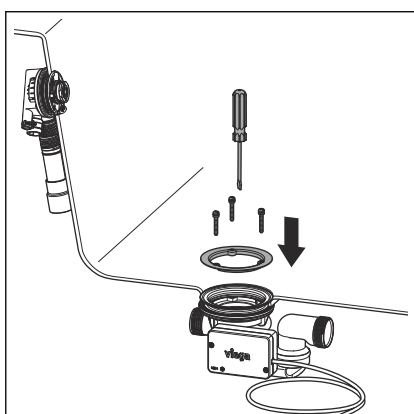
- Screw in fixing screw and tighten hand tight with the mounting aid.

3.2.2 Mounting the drain

Proceed as follows to mount the drain:



- Place the double seal into the drain opening of the bathtub.
- Position the drain unit on the double seal from below in such a position that the upstand of the drain unit is placed in the recess of the double seal.



- Fit the fixing flange in the double seal.
 - Place the fixing screws in the drain unit and pull hand tight.
- The screw with the internal thread must go into the hole left of the inlet opening in the drain unit (see detailed illustration).

INFO! Cordless screwdrivers or similar tools can damage the product. Only tighten the screws by hand.

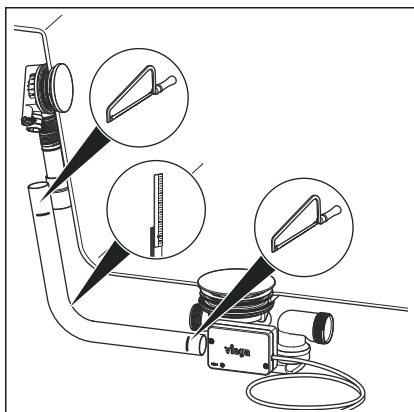
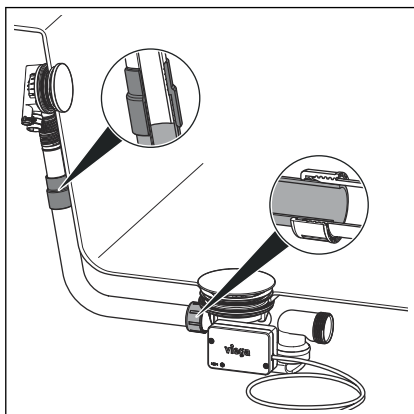
3.2.3 Connecting overflow and drain

After the overflow and the drain have been mounted, you must connect them both using the overflow pipe. Proceed as follows:

Requirements:

- The overflow is mounted in the overflow opening.
- The drain is securely mounted on the base of the bathtub.

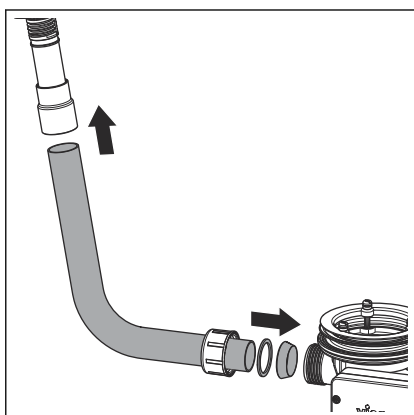
NOTICE! Connections where the pipes are not inserted far enough into each other become leaky. For this reason, maintain a minimum insertion depth of 15 mm for every connection.



- Hold the pipe of the overflow unit parallel to the overflow pipe and mark the positions where the drain and the overflow should be connected.

Maintain an insertion depth of at least 15 mm!

- Cut the overflow pipe to the marked length and, if necessary, deburr.



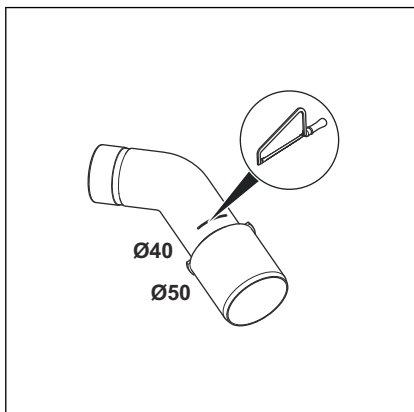
- Push the top end of the overflow pipe into the rubber sleeve. Maintain an insertion depth of at least 15 mm!
- Push the union nut, sliding ring and seal onto the bottom end of the drain elbow.
- Screw the union nut on the drain unit.

3.2.4 Connecting the wastewater system

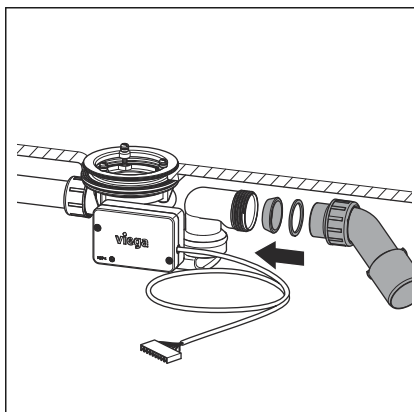
Proceed as follows to connect the drain/overflow to the wastewater system:

Requirements:

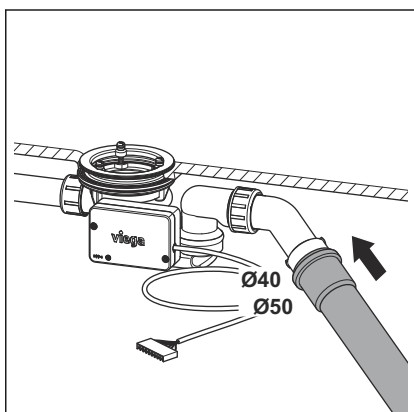
- The overflow and drain units are installed on the bathtub.
- The connection between overflow and drain has been made.
- If the wastewater pipe only has a diameter of 40 mm, cut off drain elbow.



- Push union nut, sliding ring and seal onto the drain elbow.
 - Screw the union nut on the drain unit.
- Maintain an insertion depth of at least 15 mm!



- Turn the drain at the joint until the required position has been reached.
- Push wastewater pipe in the drain elbow.

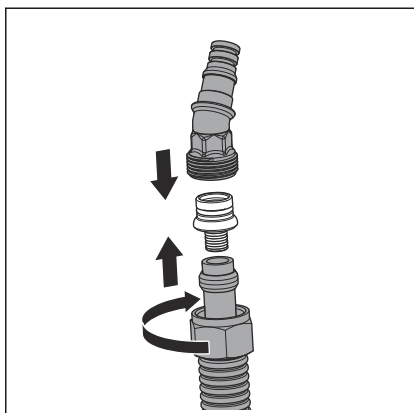


3.2.5 Connecting the inlet

Proceed as follows to connect the water inlet to the overflow unit:

Requirements:

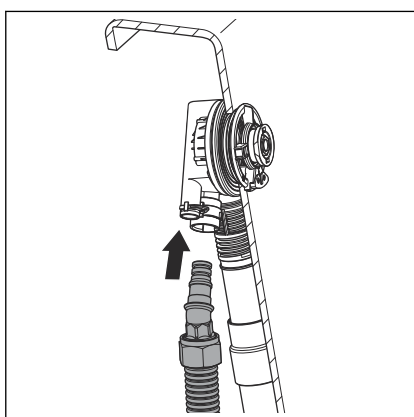
- A connection set (e. g. the pipe interrupter set) is available.
- A pipe interrupter is installed in the supply pipeline.
- Overflow and drain are mounted.



- Overflow and drain are connected.
- The connection to the wastewater system has been made.

INFO! We show the mounting here with the Viega plug connection. Mounting can also be carried out with other connecting materials. If necessary, observe the manufacturer's instructions.

- Push union nut and clamping ring (parts of the connection set) onto the water-carrying pipe.
- Push the narrow end of the screw fitting (part of the connection set) into the pipe as far as it will go.
- Push the free end of the screw fitting into the connecting piece.
- Screw in the pipe tight with the union nut onto the connecting piece.



- Insert the connecting piece into the overflow unit.

The connecting piece must click into place in the overflow unit with a noticeable clicking sound.

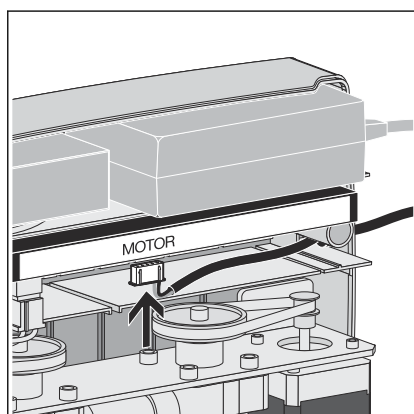
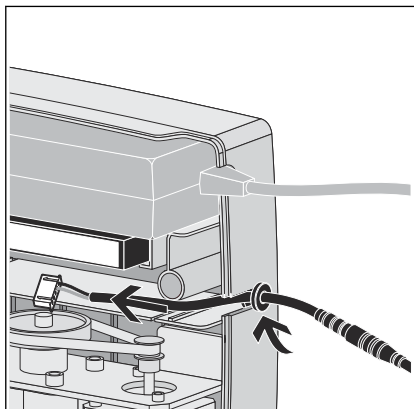
3.2.6 Connecting the electronic mixing fitting

The cable of the motor must be connected to the mixer unit to be able to control the motor of the overflow / drain via the control element of the mixer fitting. The power to the motor is also supplied via the cable to the mixer unit. No special power supply is required.

Requirements:

- The mixer unit has been mounted.
- The motor-powered drain / overflow has been mounted.

- The mixer unit is accessible and the lid had been removed.
- The motor of the drain / overflow is reachable from the place of installation of the mixer unit using a 2 m cable (with extension 5 m).
- Lead cable with cable lead-in into the recess in the right-hand side of the casing of the mixer unit.



INFO! The connection of the drain / overflow must take place before applying mains voltage to the mixer unit so that the drain can be detected.

- Connect plug of the cable with the socket of the control unit marked "Motor".

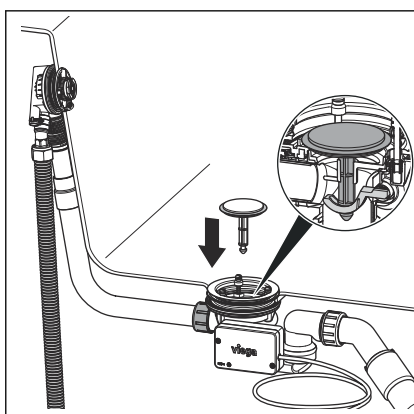
The plug has a groove left and right on one long side, this should face forward when plugging in.

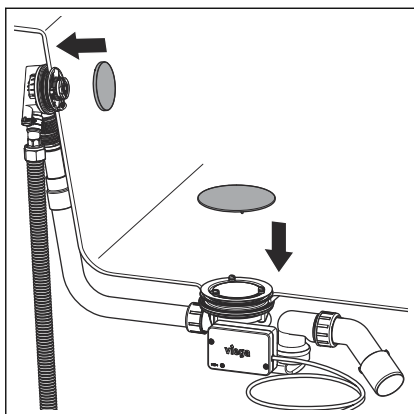
3.2.7 Mounting equipment set

To avoid damage to the rosette and valve cone, only mount the equipment set after finishing all other work on the building site. Proceed as follows:

- Fit valve cone.

The pin on the underside of the valve cone must be placed into the recess in the drain unit and be felt to click into place (see detailed illustration).





➤ Align and push in overflow rosette.

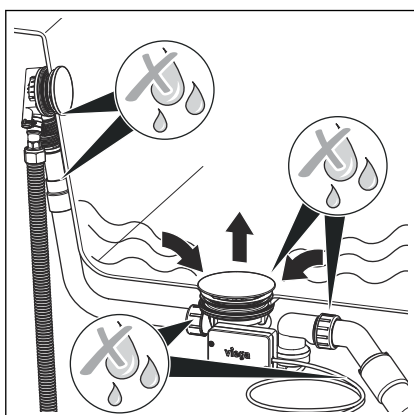
➤ Place the cover plate onto the fixing flange and affix.

The holes on the underside of the cover plate must be placed onto the heads of the screws.

3.2.8 Leakage test

The leakage test is only carried out as a visual inspection.

Check the points marked in the following drawing with particular care:



➤ Check drain/overflow fitting for visible leaks.

3.3 Control

The valve cone can only be opened and closed electronically. Control takes place via the connected electronic mixer unit. You will find control instructions in the mixer unit instruction manual.

3.4 Maintenance



NOTICE! Risk of damage due to unsuitable cleaning agent.

The following cleaning agents can damage chrome-plated surfaces and therefore may not be used:

- scouring agent
- abrasive sponges
- lime, plaster or cement dissolver
- solvents or other acidic cleaning agents

Normal soap or a mild cleaning agent can be used for regular care and prevention of lime scale on the rotatable rosette and valve cone. Under no circumstances should scouring agent or scratching objects be used.

Strong stains, even around the drain unit and the siphon, can be removed using typical household cleaner. It should be noted that the cleaning agent should be rinsed off after the prescribed soaking time. There should be no residue on the components.

3.5 Disposal

Separate the product and packaging materials (e. g. paper, metal, plastic or non-ferrous metals) and dispose of in accordance with valid national legal requirements.



Viega GmbH & Co. KG
service-technik@viega.de
viega.com

INT • 2022-08 • VPN150074

