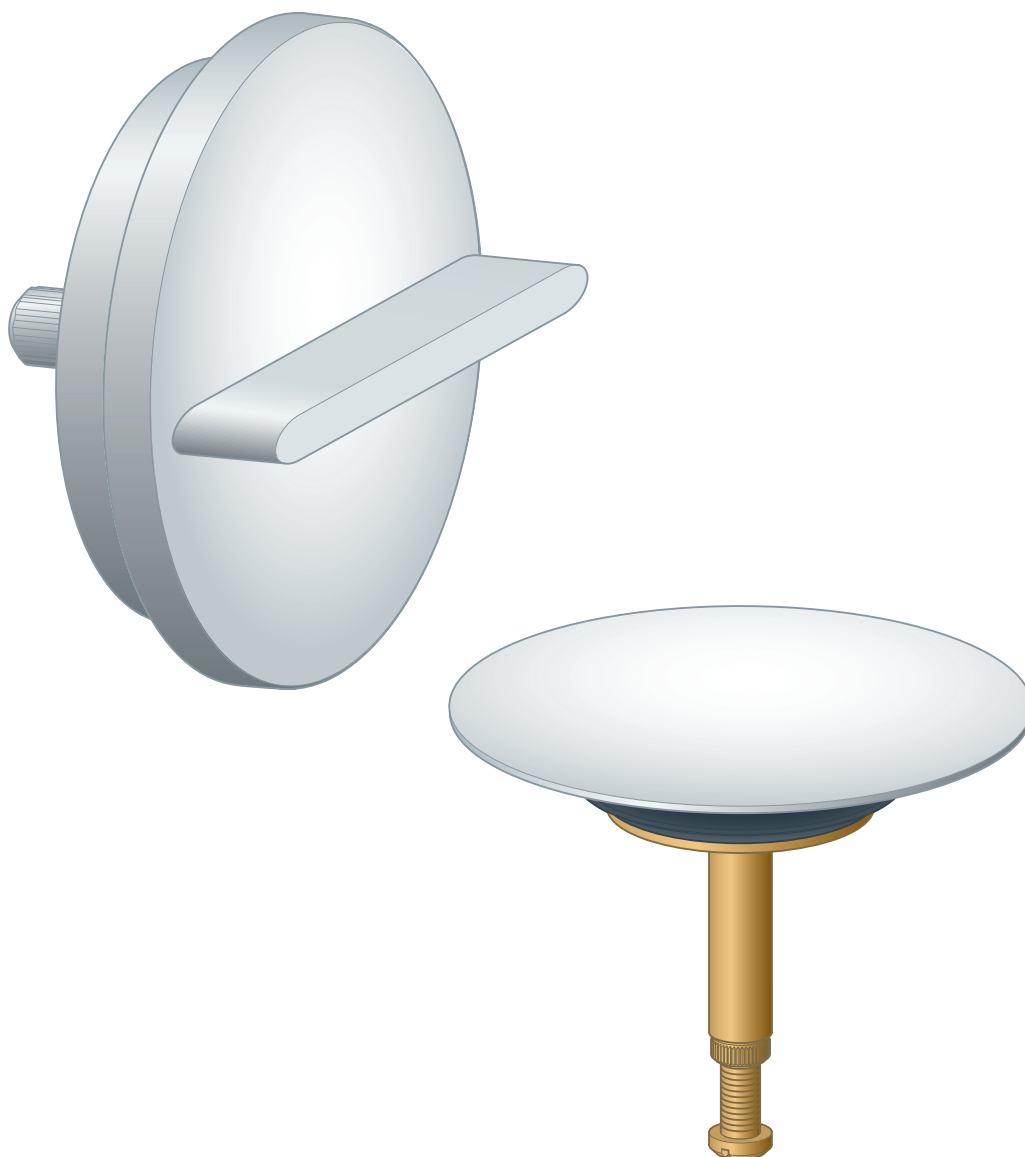


Instructions for Use

Multiplex equipment set Visign M3



for drain/overflow functional unit

Model
6154.0

Year built (from)
06/2015

viega

Table of contents

1	About these instructions for use	3
	1.1 Target groups	3
	1.2 Labelling of notes	3
	1.3 About this translated version	4
2	Product information	5
	2.1 Intended use	5
	2.1.1 Areas of use	5
	2.2 Product description	6
	2.2.1 Overview	6
	2.2.2 Model variants	6
3	Handling	7
	3.1 Assembly	7
	3.1.1 Mounting equipment set	7
	3.2 Use	8
	3.3 Care	8
	3.4 Disposal	9

1 About these instructions for use

Trade mark rights exist for this document; for further information, go to viega.com/legal.

1.1 Target groups

The information in this instruction manual is directed at the following groups of people:

- Heating and plumbing experts and trained personnel
- Operators
- Consumers

Individuals without the abovementioned training or qualification are not permitted to mount, install and, if required, maintain this product. This restriction does not extend to possible operating instructions.

The installation of Viega products must take place in accordance with the general rules of engineering and the Viega instructions for use.

1.2 Labelling of notes

Warning and advisory texts are set aside from the remainder of the text and are labelled with the relevant pictographs.



DANGER!

This symbol warns of possible life-threatening injury.



WARNING!

This symbol warns of possible serious injury.



CAUTION!

This symbol warns of possible injury.



NOTICE!

This symbol warns of possible damage to property.



This symbol gives additional information and hints.

1.3 About this translated version

This instruction for use contains important information about the choice of product or system, assembly and commissioning as well as intended use and, if required, maintenance measures. The information about the products, their properties and application technology are based on the current standards in Europe (e.g. EN) and/or in Germany (e.g. DIN/DVGW).

Some passages in the text may refer to technical codes in Europe/Germany. These should serve as recommendations in the absence of corresponding national regulations. The relevant national laws, standards, regulations, directives and other technical provisions take priority over the German/European directives specified in this manual: The information herein is not binding for other countries and regions; as said above, they should be understood as a recommendation.

2 Product information

2.1 Intended use

2.1.1 Areas of use

The equipment set is exclusively suitable for use with a Multiplex drain/overflow for bathtubs with a 52 mm drain hole.



The model described here cannot be combined with Multiplex Trio products. Separate equipment sets with other model numbers are available for the Multiplex Trio inlets, drains and overflows.

2.2 Product description

2.2.1 Overview

The following components are included in the scope of delivery of the equipment set:

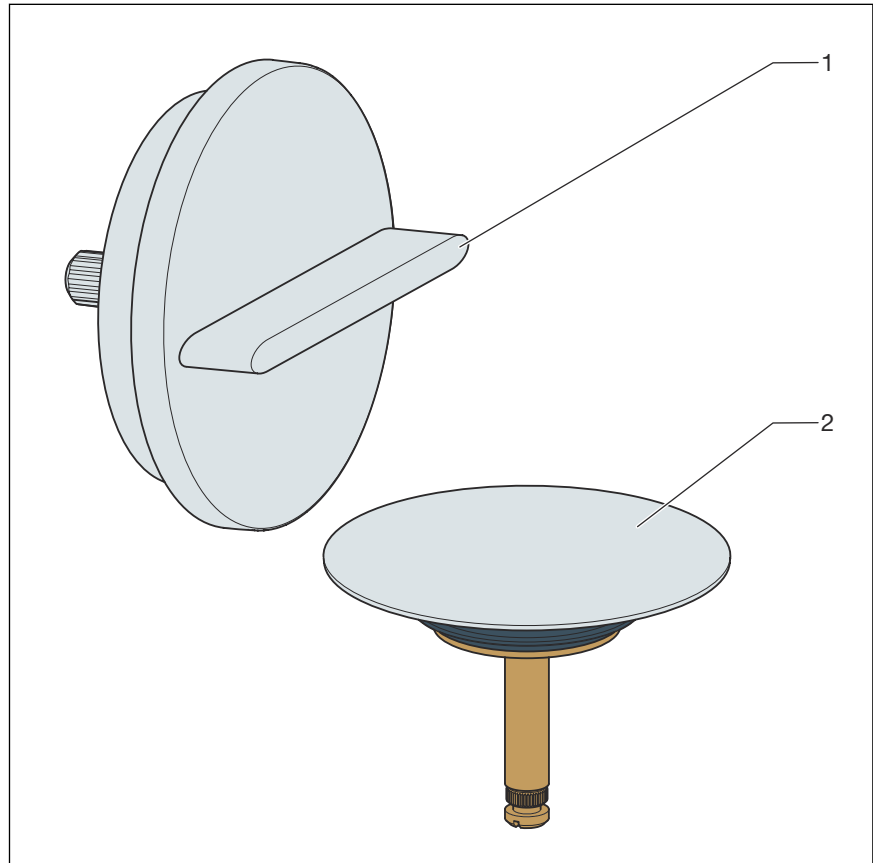


Fig. 1: Component overview

- 1 rotatable rosette
- 2 valve cone

2.2.2 Model variants

The model is available in the following versions:

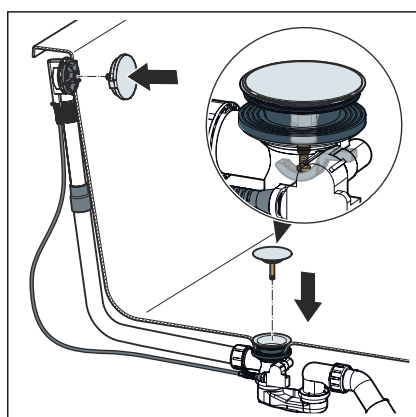
Version	Article number
chrome-plated	576 325
design white	735 913

3 Handling

3.1 Assembly

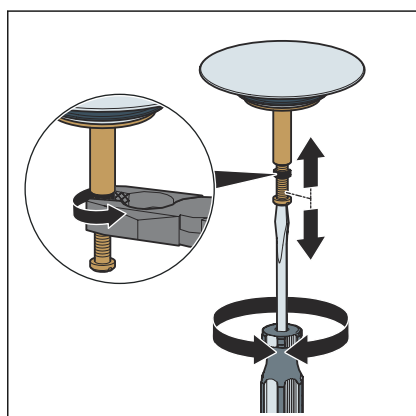
3.1.1 Mounting equipment set

To avoid damage to the rosette and valve cone, mount the equipment set only after finishing all other work on the building site. Proceed as follows:



- Align and fit the rotatable rosette.
- Fit the valve cone.
- To check function and alignment, turn the rotatable rosette.

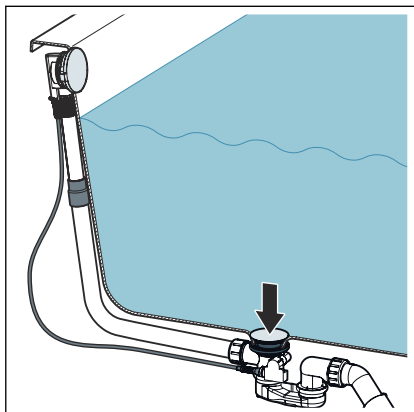
The opening of the valve cone should be 2–3 cm wide when opened. If necessary, regulate the width of the opening of the valve cone using the adjusting screw (see next step).



- Set the valve cone with the help of the adjusting screw and counter with the nut.

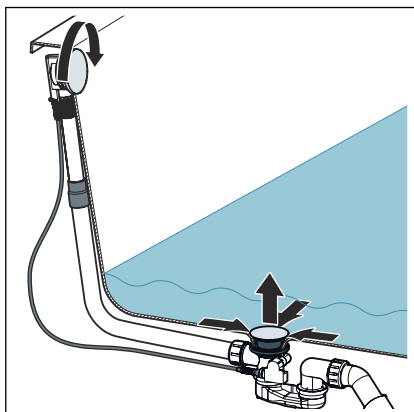
3.2 Use

The drain / overflow are controlled via the rotatable rosette on the overflow. Proceed as follows to open or close the drain:



■ Turn the rotatable rosette to the left.

□ The drain closes itself.



■ Turn the rotatable rosette to the right.

□ The drain opens itself.

3.3 Care



NOTICE! Risk of damage due to unsuitable cleaning agent.

The following cleaning agents can damage chrome-plated surfaces and therefore may not be used:

- scouring agent
- abrasive sponges
- lime, plaster or cement dissolver
- solvents or other acidic cleaning agents

Use normal soap or a mild cleaning agent for regular care and prevention of lime scale on the rotatable rosette and valve cone. Do not use scouring agent or abrasive objects!

Use household cleaner to remove coarse soiling, also around the drain unit and the odour trap. Rinse the detergent thoroughly with clear water after the prescribed exposure time. There should be no residue on the components.

3.4 Disposal

Separate the product and packaging materials (e. g. paper, metal, plastic or non-ferrous metals) and dispose of in accordance with valid national legal requirements.



Viega GmbH & Co. KG
service-technik@viega.de
viega.com

INT • 2022-08 • VPN200528

